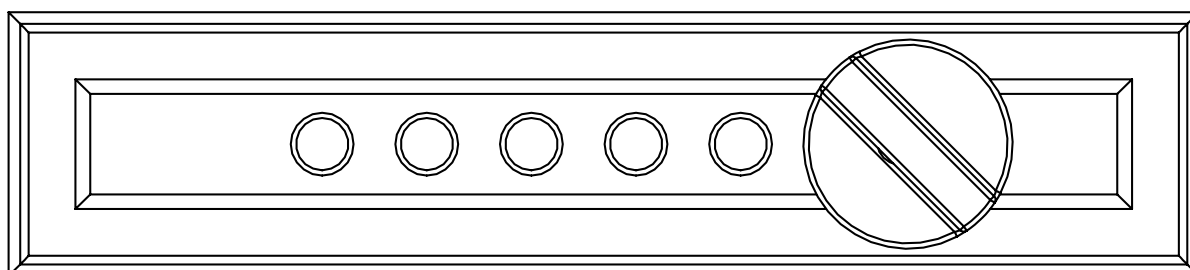


Instructions for Use

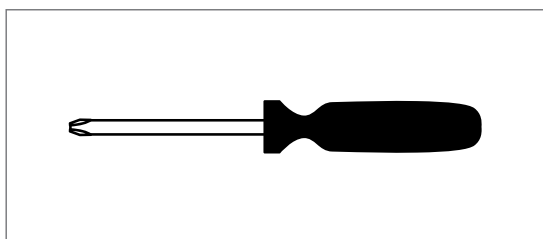
# Push Button Lock



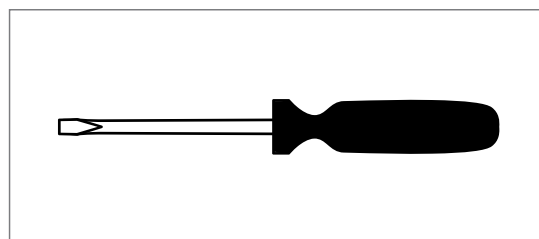
# Table of Contents

Required Tools .....	2
Instructions to Setup/Change Combination .....	3

## Required Tools

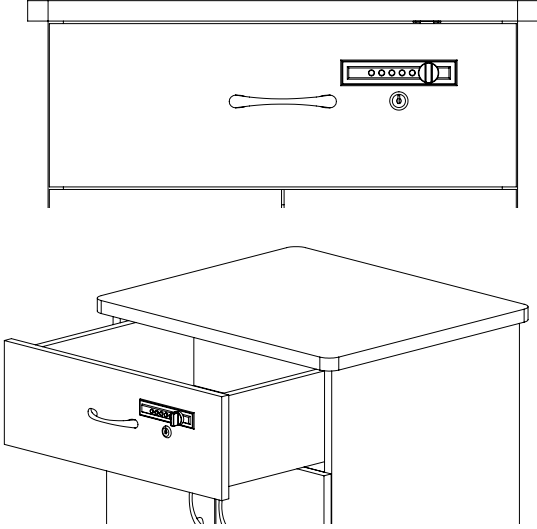
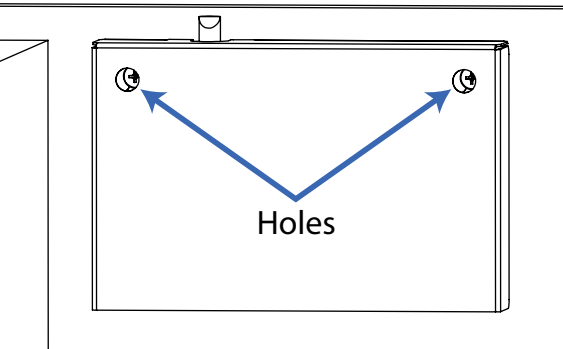
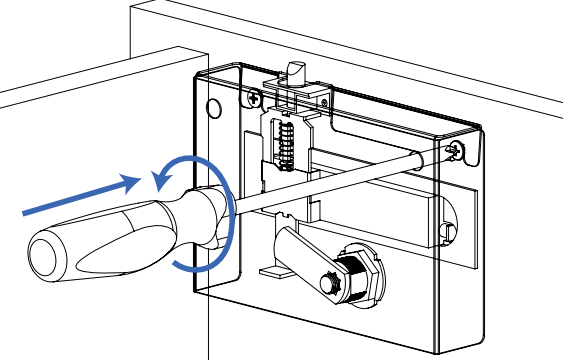
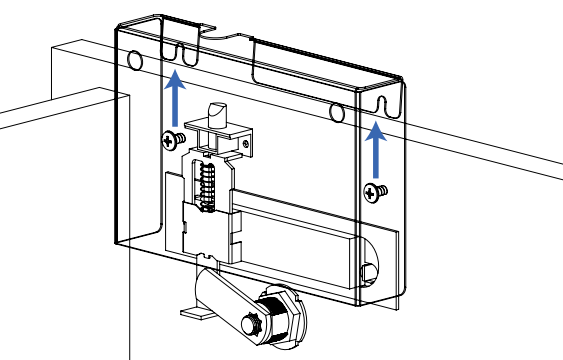


**Phillips screwdriver**  
Phillips #2 (PH-2)

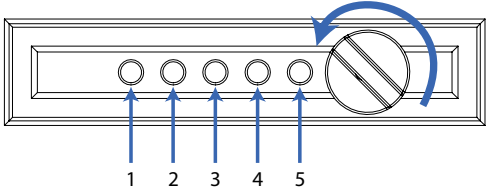
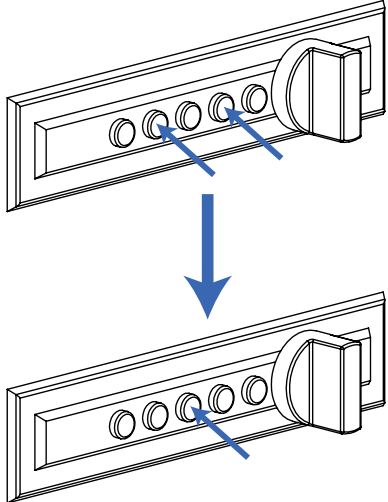
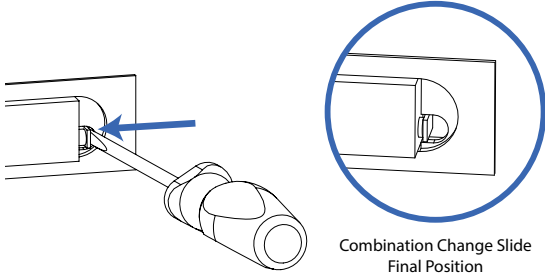
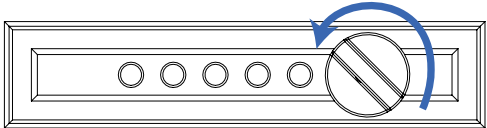


**Slotted screwdriver**  
Tip Size – 13/64"

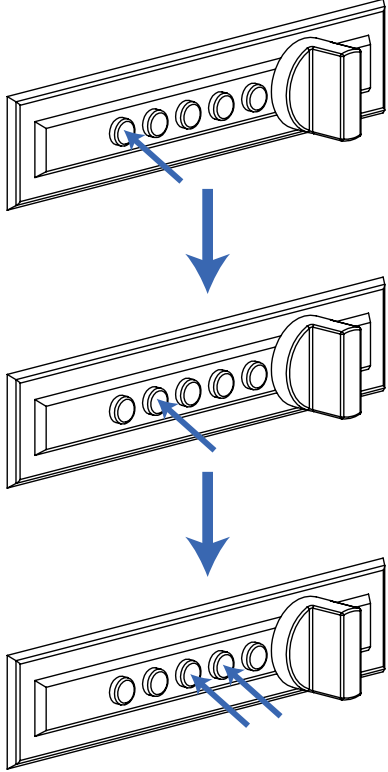
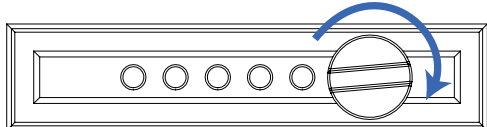
# Instructions to Setup/Change Combination

Procedure	Images	Remarks
<p><b>Step 1</b></p> <p>Fully extend the drawer with the push button lock installed.</p>		<p>Drawer should be kept open throughout the process.</p>
<p><b>Step 2</b></p> <p>The lock cover can be found behind the drawer front. The lock cover has two holes as shown.</p>		
<p><b>Step 3</b></p> <p>Insert a Phillips screwdriver in each hole until the screwdriver engages with the screw head.</p> <p>Loosen each screw by turning the screwdriver counter-clockwise 1-1.5 turns.</p>		<p>Do not remove screws completely.</p>
<p><b>Step 4</b></p> <p>Remove the cover by lifting it up.</p>		<p>Place the cover on a clean surface to avoid any scratches to its surface.</p>

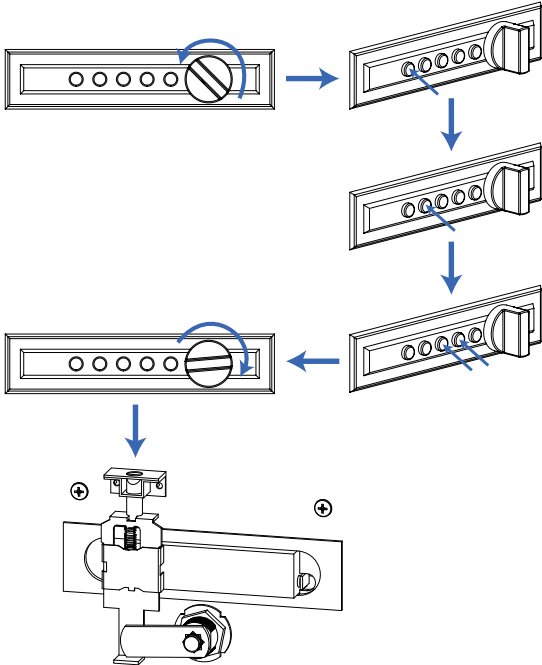
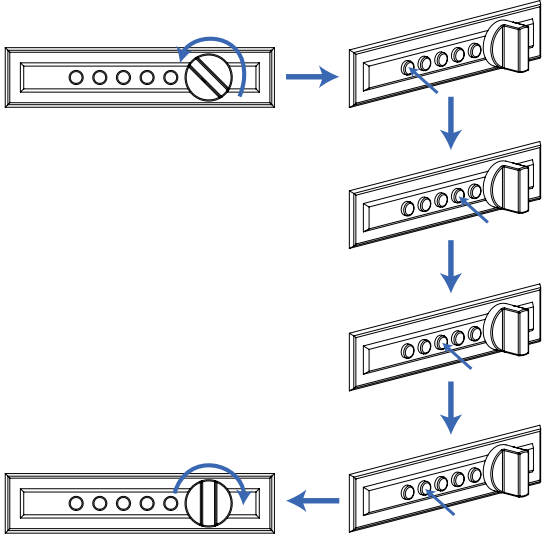
# Instructions to Setup/Change Combination

Procedure	Images	Remarks
<p><b>Step 5</b></p> <p>To change the default combination or existing combination of the lock, turn the knob left (counter-clockwise) until it stops and then release the knob.</p> <p><b>Do not force the knob at any time.</b></p>		<p>It is recommended to change the default combination of the lock to make sure the combination is private.</p> <p>The number assigned to each button in the image will be used as reference for any combination mentioned in the following instructions.</p>
<p><b>Step 6</b></p> <p>Enter the existing combination. The factory default combination for a new lock is "2"&amp;"4" – "3":</p> <p>Press button "2" and "4" simultaneously, release, then press button "3" and release.</p> <p>Make sure each button is fully depressed before releasing.</p>		<p>A distinctive click should be felt when the buttons are pressed correctly.</p> <p>If a wrong combination is entered, turn the knob left (counter-clockwise) to the stop position and release. This will clear any previously depressed buttons. Now enter in the correct combination.</p> <p>The existing combination must be used to set a new one.</p>
<p><b>Step 7</b></p> <p>Push the combination change slide on the back side of the lock inward using a slotted screw driver. (Slide is located at the end opposite to the knob).</p>	 <p style="text-align: center;">Combination Change Slide Final Position</p>	<p>Slotted screw driver tip size 13/64" or lower is recommended.</p>
<p><b>Step 8</b></p> <p>Turn the knob left (counter-clockwise) to the stop position and release.</p> <p>This clears the existing combination.</p>		<p><b>NOTE:</b> Clearing the existing combination does NOT reset it to the factory default combination.</p>

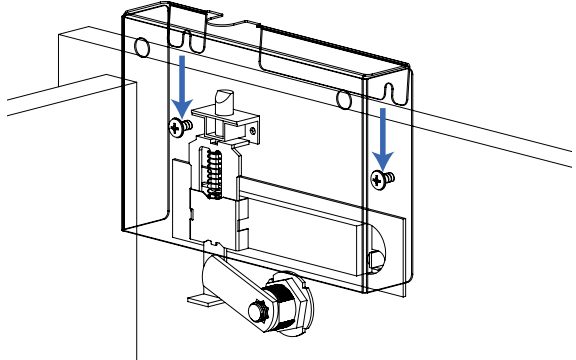
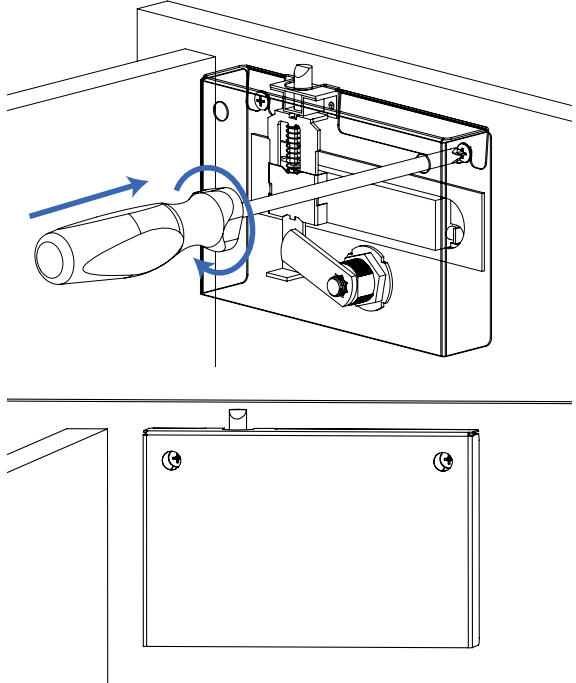
# Instructions to Setup/Change Combination

Procedure	Images	Remarks
<p><b>Step 9</b></p> <p>Select a <u>new combination</u> and <b><u>write it down</u></b>.</p>	<ul style="list-style-type: none"> <li>• Some or all of the buttons may be used for your new combination.</li> <li>• A group of buttons in a combination can be pressed <b><u>individually or simultaneously</u></b> for generating a combination.</li> <li>• A combination <b><u>CANNOT</u></b> be having same button pressed twice (e.g. 2-2-3-4 or 2-3-2-4 will not work).</li> </ul>	<p><b>IMPORTANT: Make sure the correct buttons for the new combination are depressed in following step.</b></p> <p>The existing combination must be used to set a new one.</p>
<p><b>Step 10</b></p> <p>Enter the new combination. Depress each button fully and release it.</p> <p>(E.g.: "1" – "2" – "3" &amp; "4")</p>	 <p>(Example only for combination "1" – "2" – "3" &amp; "4")</p>	<p>A distinctive click must be felt each time a button is pressed to know that the button was fully depressed.</p>
<p><b>Step 11</b></p> <p>Turn the knob right (clockwise) to the stop position and release to activate the new combination.</p>		<p>Once the knob is turned clockwise fully, the new combination for the lock is set.</p>

# Instructions to Setup/Change Combination

Procedure	Images	Remarks
<p><b>Step 12</b></p> <p>Test the new combination:</p> <ol style="list-style-type: none"> <li>Turn knob left (counter-clockwise) until it stops and then release. Do not force the knob.</li> <li>Enter the new combination. (E.g.: "1" – "2" – "3" &amp; "4")</li> <li>Turn the knob right (clockwise). The latch bolt should retract, compressing the spring.</li> <li>If the knob does not turn, it can be due to an incorrect combination being entered in Step 10.</li> </ol> <p>Try a few possible combinations to find the right combination entered in Step 10 then go back to Step 6 to set desired combination again.</p>		
<p><b>Step 13</b></p> <p>To make sure the new combination works correctly:</p> <ol style="list-style-type: none"> <li>Turn knob left (counter-clockwise) until it stops and then release. Do not force the knob.</li> <li>Enter any wrong combination. (E.g. "1" – "4" – "3" – "2")</li> <li>Try to turn the knob right (clockwise). The knob should not turn.</li> <li>If the knob turns, it means no combination is set. In this case, turn the knob left (counter-clockwise), release, and go back to Step 6 to set the combination.</li> </ol>		

# Instructions to Setup/Change Combination

Procedure	Images	Remarks
<p><b>Step 14</b></p> <p>After setting up the new lock combination and testing the functionality, align the two slots on the cover with the two screws and reassemble the cover.</p>	 A technical line drawing of a lock mechanism mounted on a door. Two screws are shown being inserted into slots on the cover. Blue arrows point downwards from the screws, indicating the direction of insertion. The lock mechanism is shown in a partially disassembled state, with the cover being reattached.	
<p><b>Step 15</b></p> <p>After making sure the back cover is properly placed, tighten the two screws using a Phillips screw driver.</p>	 Two technical line drawings. The top drawing shows a Phillips screwdriver being used to tighten one of the two screws on the back cover. A blue arrow indicates the direction of rotation. The bottom drawing shows the back cover fully assembled, with the two screws visible on the top edge. The cover is shown in a perspective view, highlighting its rectangular shape and the placement of the screws.	

[www.amico.com](http://www.amico.com)

Amico Patient Care Corporation | 122A East Beaver Creek Road, Richmond Hill, ON, L4B 1G6 Canada  
Toll Free Tel: 1.877.462.6426 | Toll Free Fax: 1.866.440.4986 | Tel: 905.764.0800 | Fax: 905.764.0862  
Email: [apc-csr@amico.com](mailto:apc-csr@amico.com) | [www.amico.com](http://www.amico.com)

APC-IFU-P02-01EN 02.22.2024