

# Product Overview

## Portable Lift Trolleys



Amico Portable Lift Trolley:  
GO-LIFT-PTB-TRLY



Horcher/Barrier Free Portable Lift Trolley:  
GO-LIFT-PTB-HRCR-TRLY



Tollos Portable Lift Trolley:  
GO-LIFT-PTB-TOLLOS-TRLY



Human Care Portable Lift Trolley:  
GO-LIFT-PTB-HMCR-TRLY



Wide Track Portable Lift Trolley:  
GO-LIFT-WTRK-PTB-TRLY



Joerns/GH2 Portable Lift Trolley:  
GO-LIFT-PTB-JRNS-TRLY



# Amico Portable Lift Trolleys

The Amico portable lift trolley serves as a mounting point for the GoLift portable lift, with a maximum capacity of 450lbs per trolley. The trolley has free turning wheels mounted on ball bearings that support the weight of the lift and patient to guide the lift and patient through the track system. The connection point on the trolley has a continuous pivot to allow the portable lift to be used in any orientation without twisting the strap.

Amico offers custom trolleys that are specially made to fit into existing track systems made by a variety of different manufacturers (see charts below). Being able to retrofit the Amico portable lift into an existing track system allows for hospitals and homes to update their lifts without having to replace the existing track system. This greatly reduces both cost and time.

## To Retrofit:

1. The **old lift** and **power supply** must be replaced with the Amico portable lift and Amico power supply.  
**NOTE:** The Amico portable lift will **NOT** work with the existing power supply.
2. Remove one of the existing end stops (Note: Amico does not supply end stops, the existing ones can be reused).
3. Insert the Amico competitor portable trolley into the track.
4. Reinsert the existing end stop.
5. To charge the portable lift, mount the Amico power supply on the wall and plug the barrel plug connector directly into the plug in the back of the Amico portable lift.



## WARNING:

- To avoid choosing the wrong adaptor, please send a picture of the profile of the track to your Amico sales representative. Amico cannot take responsibility for any wrong parts ordered without this confirmation.
- The maximum capacity of the existing track must be observed and followed. The GoLifts can be down rated to match the track maximum capacity. A certifying load test must be performed when retrofitting the GoLift.
- Verify that all functions of the lift, including charging, are working correctly.

# Amico Portable Lift Trolleys

## AMICO PORTABLE LIFT TROLLEY: GO-LIFT-PTB-TRLY

450lbs capacity Amico portable lift trolley.

**Compatible with:**

- Straight Track
- Curved Track
- Gantry
- Turntable

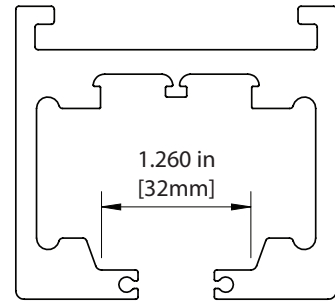
**Not compatible with:**

- Curtain Jumping

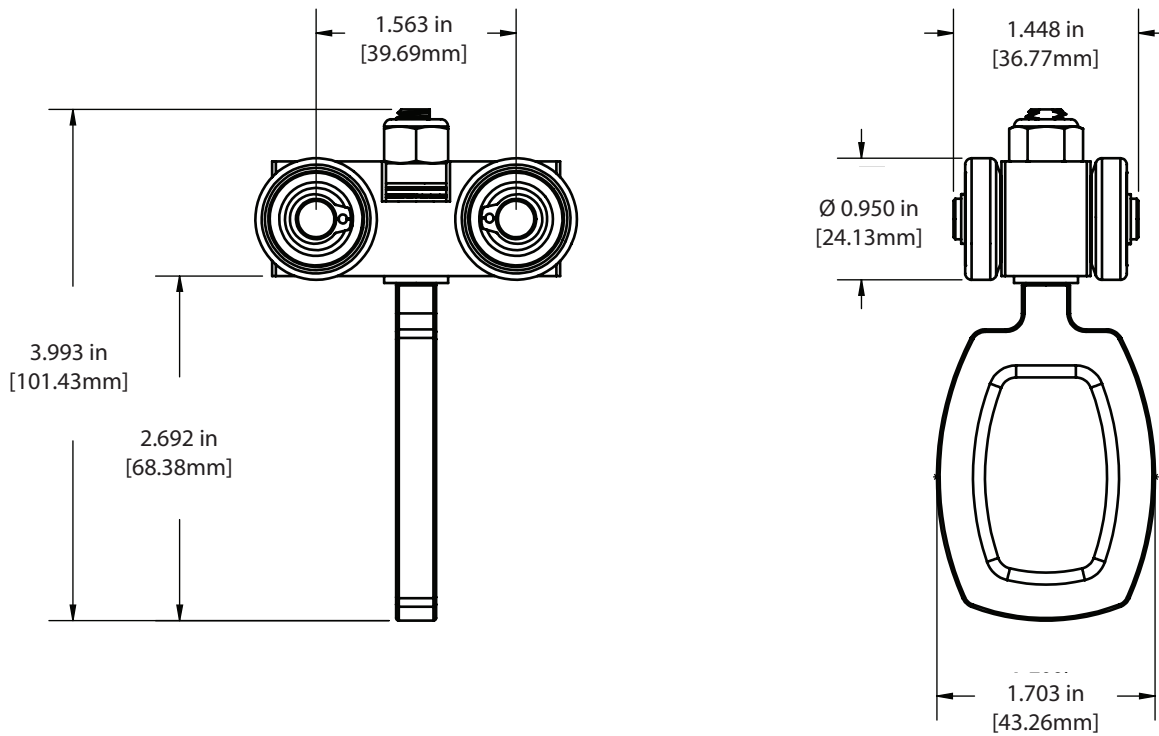
**Trolley:**



**Track:**



**Dimensions:**



\*Dimensions are shown in inches

# Competitor Portable Lift Trolleys

## HORCHER/BARRIER FREE PORTABLE LIFT TROLLEY: GO-LIFT-PTB-HRCR-TRLY

450lbs capacity Horcher/Barrier Free portable lift trolley.

**Compatible with:**

- Straight Track
- Curved Track
- Gantry
- Turntable

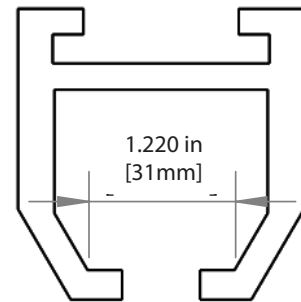
**Not compatible with:**

- Curtain Jumping

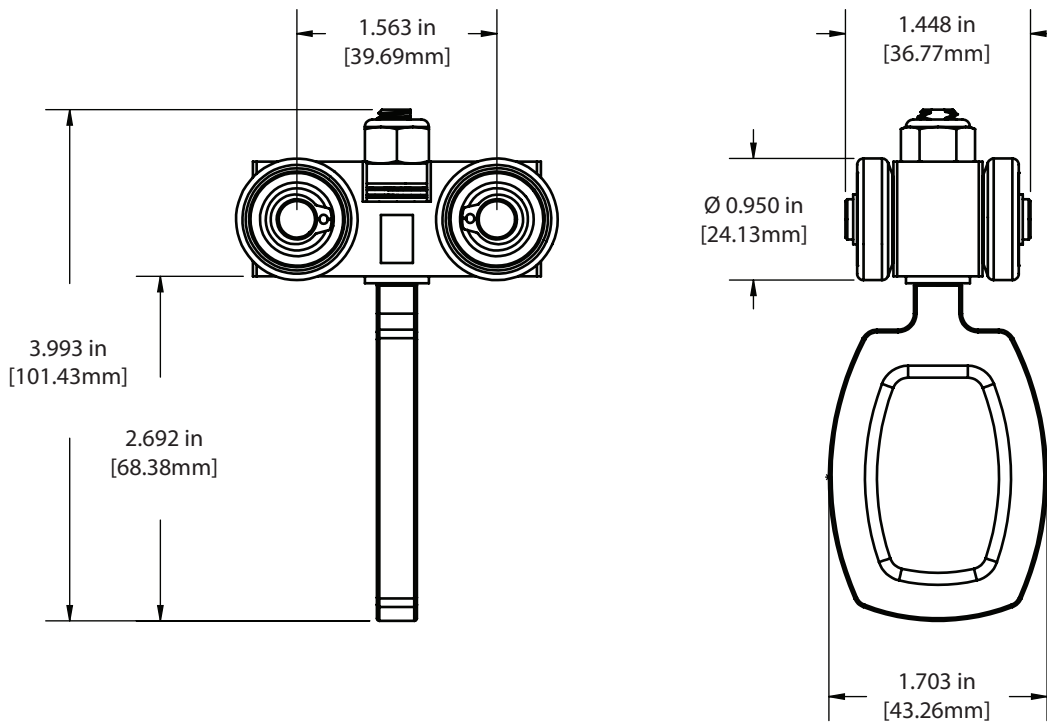
**Trolley:**



**Track:**



**Dimensions:**



\*Dimensions are shown in inches

# Competitor Portable Lift Trolleys

## JOERNS/GH2 PORTABLE LIFT TROLLEY: GO-LIFT-PTB-JRNS-TRLY

450lbs capacity Joerns/GH2 portable lift trolley.

**Compatible with:**

- Straight Track
- Curved Track
- Gantry
- Turntable

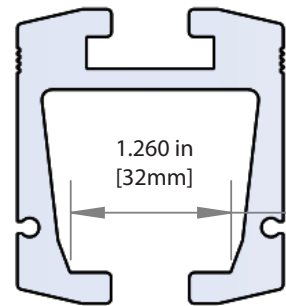
**Not compatible with:**

- Curtain Jumping

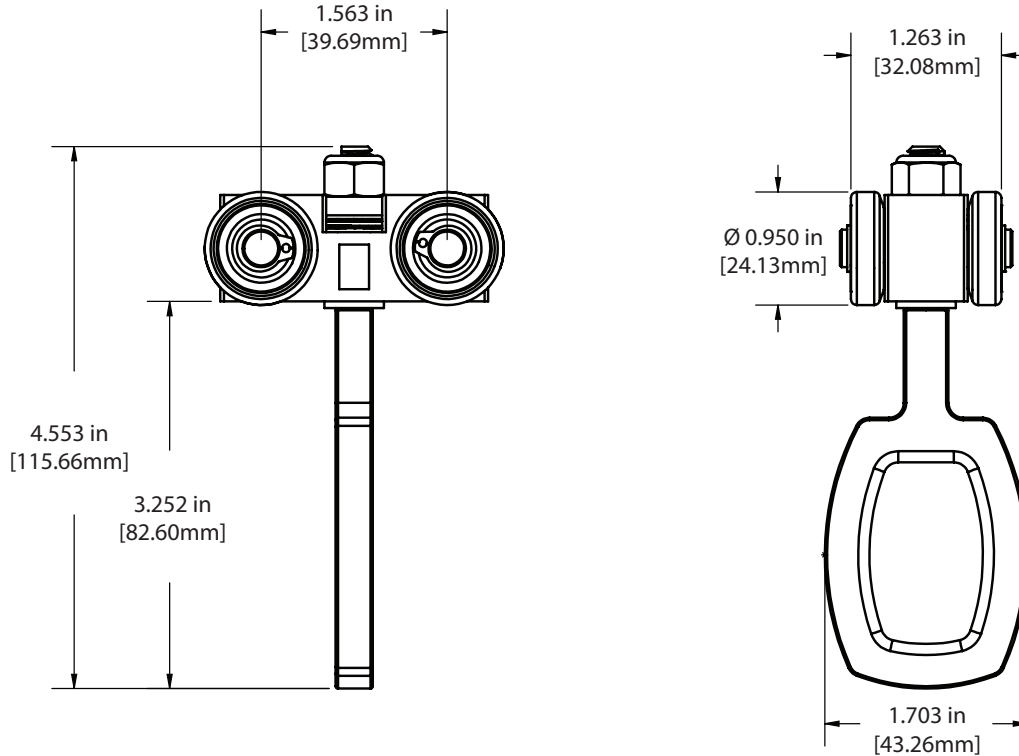
**Trolley:**



**Track:**



**Dimensions:**



\*Dimensions are shown in inches

# Competitor Portable Lift Trolleys

## HUMAN CARE PORTABLE LIFT TROLLEY: GO-LIFT-PTB-HMCR-TRLY

450lbs capacity Human Care portable lift trolley

**Compatible with:**

- Straight Track
- Curved Track
- Gantry
- Turntable

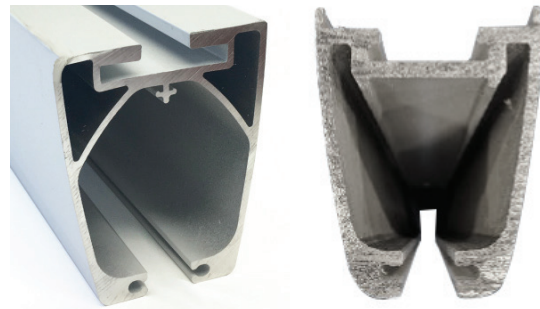
**Not compatible with:**

- Curtain Jumping

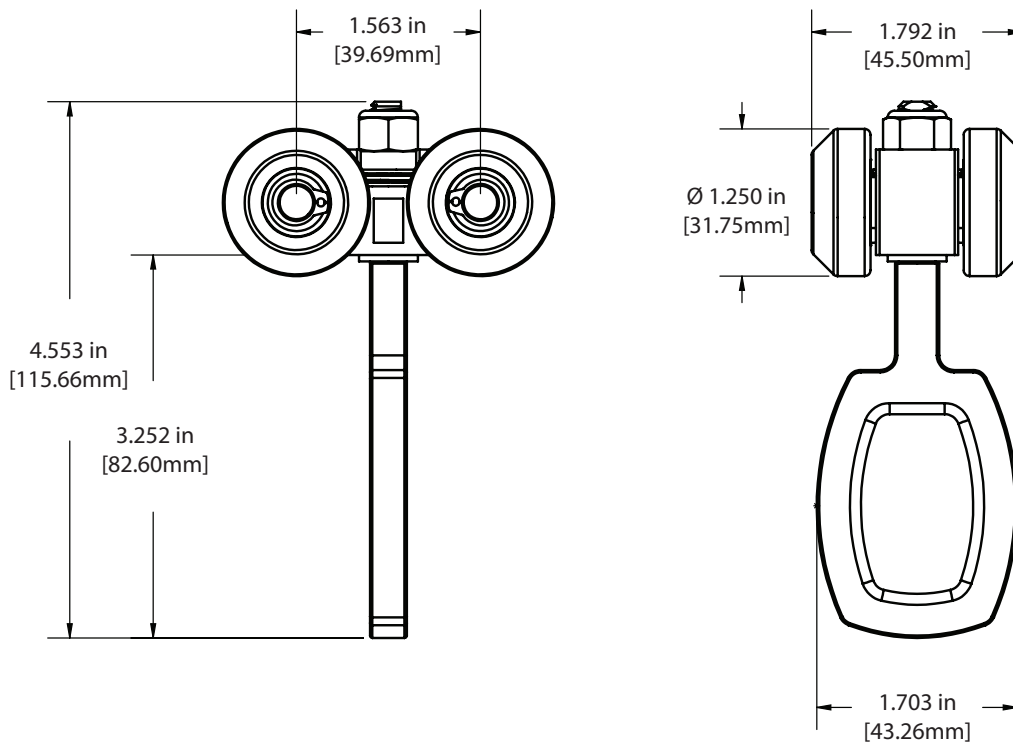
**Trolley:**



**Track:**



**Dimensions:**



\*Dimensions are shown in inches

# Competitor Portable Lift Trolleys

## TOLLOS PORTABLE LIFT TROLLEY: GO-LIFT-PTB-TOLLOS-TRLY

450lbs capacity Tollos portable lift trolley.

**Compatible with:**

- Straight Track
- Curved Track
- Gantry
- Turntable

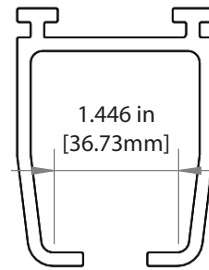
**Not compatible with:**

- Curtain Jumping

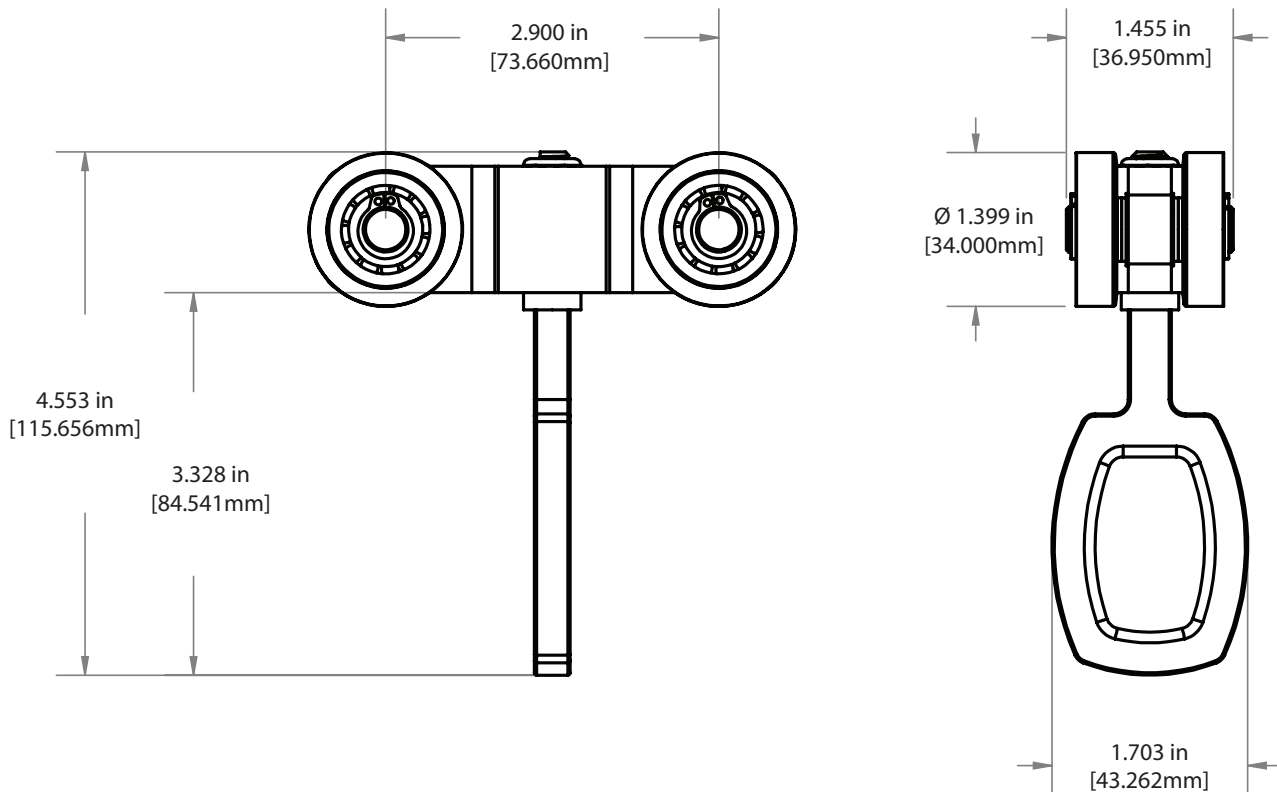
**Trolley:**



**Track:**



**Dimensions:**



\*Dimensions are shown in inches

# Competitor Portable Lift Trolleys

## WIDE TRACK PORTABLE LIFT TROLLEY: GO-LIFT-WTRK-PTB-TRLY

450lbs capacity wide track portable lift trolley.

Can use in Liko (H70), Oxford/BHM/Solo Step, Waverley Glen/Prism, Liftech/Gemini, Arjo, Savaria tracks.

### Compatible with:

- Straight Track
- Curved Track
- Gantry
- Turntable

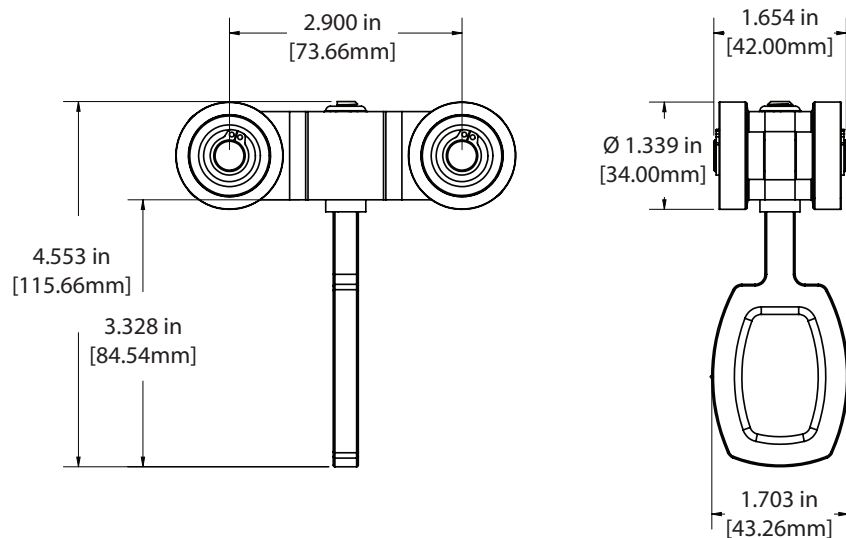
### Not compatible with:

- Curtain Jumping

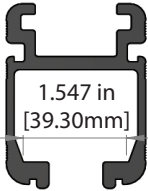
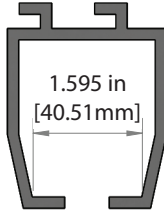
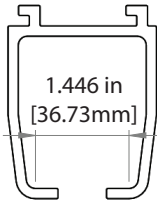
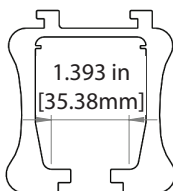
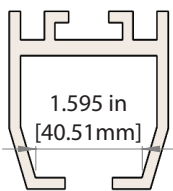
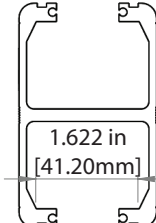

### Trolley:



### Dimensions:



### Tracks:

<p>Liko (H70)</p>  <p>1.547 in [39.30mm]</p>	<p>Oxford/BHM/Solo Step</p>  <p>1.595 in [40.51mm]</p>	<p>Waverley Glen/Prism</p>  <p>1.446 in [36.73mm]</p>	<p>Prism Super Track/ Waverley Glen Super Track</p>  <p>1.393 in [35.38mm]</p>
<p>Liftech/Gemini</p>  <p>1.595 in [40.51mm]</p>	<p>Arjo</p>  <p>1.622 in [41.20mm]</p>	<p>Savaria</p>  <p>1.622 in [41.20mm]</p>	

\*Dimensions are shown in inches

EC REP AJW Technology Consulting GmbH  
Breite Str. 3, 40213 Düsseldorf, Germany

Amico Mobility Solutions Corporation | www.amico.com  
122-B East Beaver Creek Road, Richmond Hill, ON L4B 1G6, Canada | 600 Prime Place, Hauppauge, NY 11788, USA  
Toll Free Telephone: 1.877.462.6426 | Toll Free Fax: 1.866.440.4986 | Telephone: 905.764.0800 | Fax: 905.764.0862

