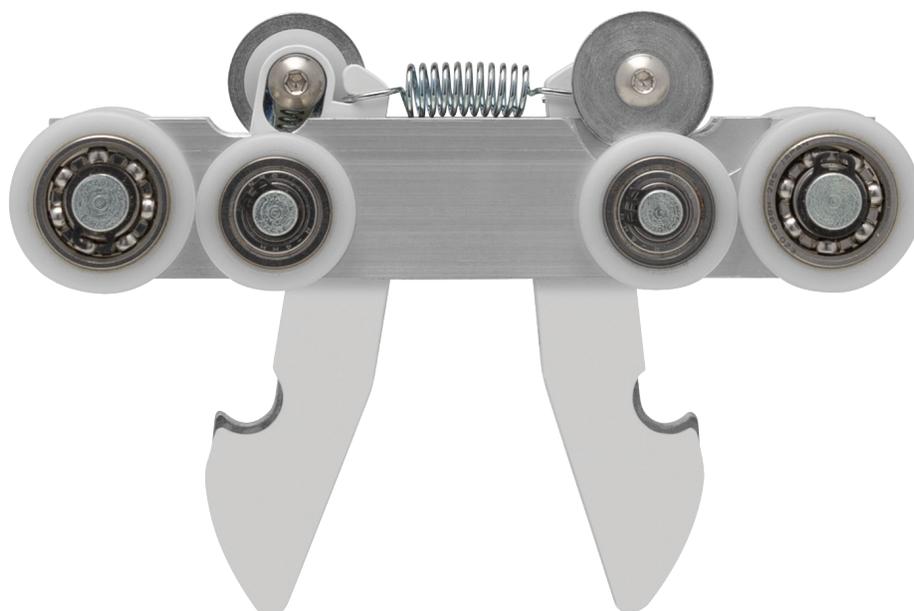


Product Overview

GoLift Curtain Jumping Trolley



GO-LIFT-QR-TRLY-CJS-ASSY

Amico

GoLift Curtain Jumping Trolley

The Amico curtain jumping trolley serves as a mounting point for the Amico GoLift. The trolley has four sets of free turning wheels mounted on ball bearings that support the weight of the lift and patient as they move through a track system. The trolley has two spring loaded contact wheels located at the top of each trolley. These provide continuous rolling contact with the charging strips which are mounted in the top of the tracks for in-rail end stop charging or continuous charging. This trolley is part of the quick release system, which allows the lift to be mounted and removed quickly for efficient installation and servicing.

The trolley is designed to work in systems with gaps spanning up to 15/16" (24 mm) for curtain rails and other breaks in the track. The four sets of wheels provide balanced support across the gap in the track by providing a minimum of three sets of contact points through the span. The additional wheels provide a smoother transition over connections in a track and over smaller gaps that appear in a gantry or turntable system. Custom curtain jumping trolleys spanning the larger gaps are available upon request.

Lift Attachment/Detachment

The two locking screws must be inserted into the top of the lift for additional security against tampering. The trolley cannot be detached or attached when the screws are in place. Simply remove them to free the lift from the trolley.

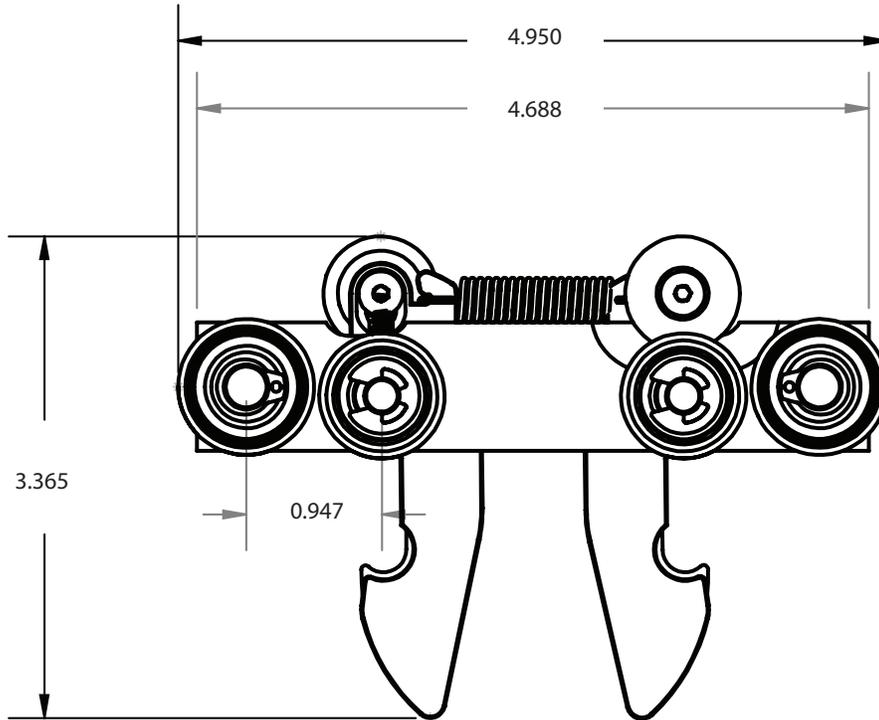
To attach or remove the lift, remove the weight of the lift and squeeze the two buttons located on the top. This will release the lift from the trolley latches.



Features

- Max capacity: 700 lbs.
- Quick release system compatible.
- Continuous and end stop in-rail charging.
- Compatible with any Amico track profile: straight or curved.

Dimensions



*Dimensions are shown in inches

Amico Mobility Solutions Corporation | www.amico.com
122-B East Beaver Creek Road, Richmond Hill, ON L4B 1G6, Canada | 600 Prime Place, Hauppauge, NY 11788, USA
Toll Free Telephone: 1.877.462.6426 | Toll Free Fax: 1.866.440.4986 | Telephone: 905.764.0800 | Fax: 905.764.0862

AMO-PO-GOLIFT-CURTAIN-JUMPING-TROLLEY 11.12.2024

EC REP AJW Technology Consulting GmbH
Breite Str. 3, 40213 Düsseldorf, Germany

