

Product Overview

GoLift Two Hook Carry Bar



Quick Connect Two Hook Carry Bar:
CB-GO-LIFT-REG-2HK



Fixed Two Hook Carry Bar:
CB-GO-LIFT-REG-2HK-FIX



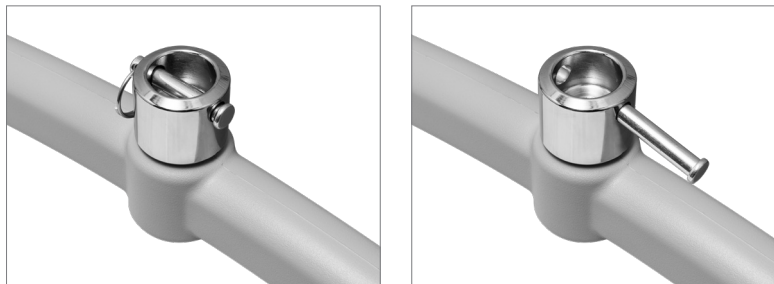
GoLift Two Hook Carry Bar

The two hook carry bar is a mounting bar between the lift and sling, that supports the patient. The carry bar has a total of four hooks, two on each side. The increased number of hooks provides greater adjustability of the sling loops to ensure that the patient is leveled properly. The steel constructed carry bar allows for convenient mounting of the magnetic hand control when not in use. The entire carry bar is designed with minimal seams for infection control. Please see the GoLift manual for a detailed list of acceptable cleaners to wipe down the surfaces.

The **quick connect version of the two hook carry bar** can be removed and reattached from the lift strap with the press of a button. The locking mechanism has a gravity lock that prevents the button from being pressed when there is weight on the hook (including the carry bar weight). When removing the carry bar, lift the bar up so that there is slack on the strap, the button can then be pressed in.



The **fixed version of the two hook carry bar** can only be used with the GoLift Loop Strap. The strap of the lift tapers into a one inch loop through which a pin can be inserted to secure the carry bar in place. A key ring is inserted through the end of the pin to keep it from sliding out of place.



Variations:

CB-GO-LIFT-REG-2HK:

Quick Connect Two Hook Carry Bar

Compatible with GoLift systems with a hook at the end of the strap.

CB-GO-LIFT-REG-2HK-FIX:

Fixed Two Hook Carry Bar

Compatible with GoLift systems with a loop at the end of the strap.

NOTE: Ensure that the correct GoLift part number is used. Please refer to the GoLift Product Overview for a complete list of part numbers.

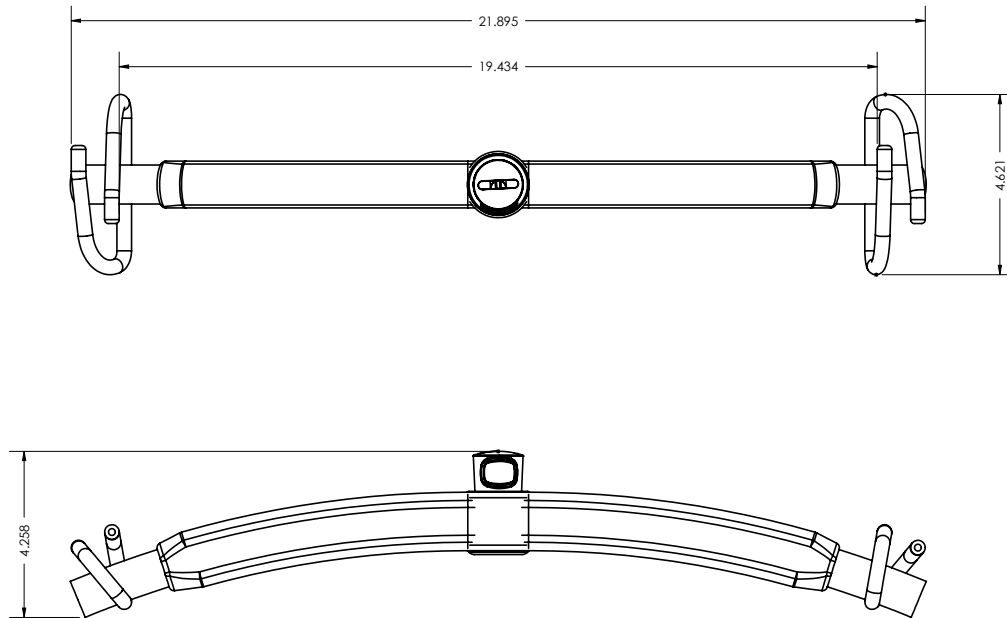
Features:

Maximum capacity: 700 lbs

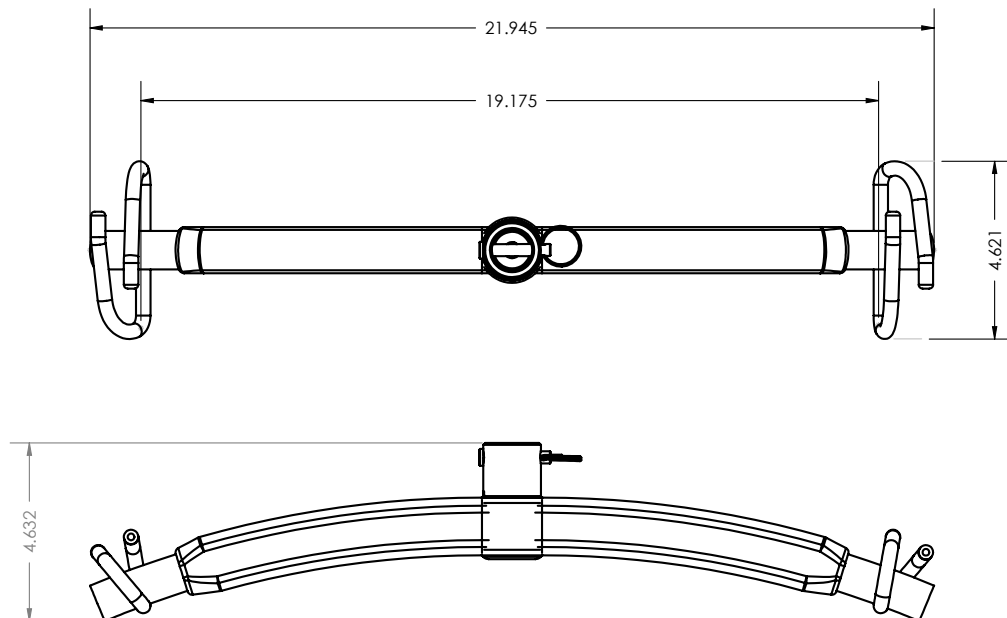
Span: 19.175"

Dimensions

Quick Connect Two Hook Carry Bar



Fixed Two Hook Carry Bar



*Dimensions are shown in inches

