

Description:

The Duo Med Tunable White LED Light is designed to meet general patient room needs with up to three lighting functions: Ambient, Exam, and Reading. Its fully enclosed LEDs ensure patient safety, while advanced lenses and reflectors deliver glare-free, optimized illumination for caregivers. Mimicking natural daylight with a tunable range of 2700K - 6500K, it supports caregiver focus with cool white light and promotes patient relaxation with warm tones. Featuring a tandem design, the sleek and modern Duo Med Series saves ceiling space, enhances clinical efficiency with asymmetric light distribution, and creates a comforting, home-like healing environment.

Features:

- Hospital grade material and finish
- Acrylic diffuser
- Ambient lights
- Exam lights
- Reading lights
- Seam welded enclosure
- Long lasting LEDs



Construction Material:

Housing: 20ga CRS, single piece, seam-welded construction.

Finish: White urethane powder coat finish – hospital grade material and finish.

Lens: IP65 rated fully enclosed CRS cover, with acrylic diffuser.

Drivers: High power factor constant current, 0.97 pf @ 120 V (Class 2, Class II).

Tunable Driver: Bridgelux vesta with the 0-10 V control module.

Light Source: Samsung LEDs mounted on Aluminum Core PCB.

Specifications:

Color Tuning: 2700K - 6500K Tunable White Ambient.

Voltage: 120 - 277 Volts.

Standard Wattage: Ambient: 30 W, Exam: 40 W, Reading: 5 W, Total: 75 W, Total Pair: 150 W.

Standard Light Output: Ambient: 3,185 lms, Exam: 4,230 lms, Reading: 450 lms, Total: 7,865 lms, Total Pair: 15,730 lms.

Dimming Options: 0 - 10 Volts, Standard 1% dimming; DALI options available.

Color Quality: Standard 80 CRI, contact factory for 90 CRI option.

Standard Color Temperature: 3000K, 3500K, 4000K (contact factory for additional options).

Life of LEDs: L70 > 100,000 hours.

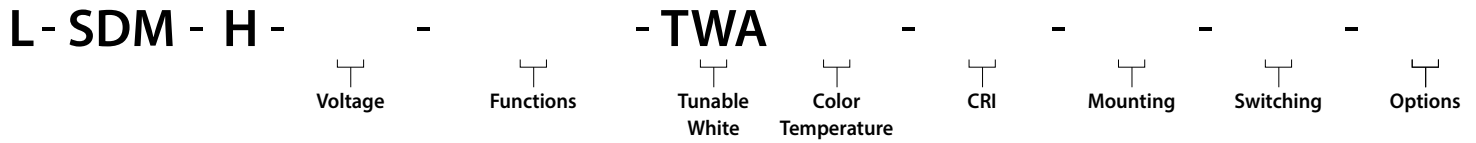
Listings: Certified to UL standards by ETL. Conforms to CSA standards as per ETL testing.

Warranty: Limited five (5) year warranty.

Duo Med Multifunction LED Light

Tunable

Ordering Guide:



For Example: L-SDM-H-120-AL111-TWA30-A-G-LVC-00

Solar Series Duo Med Multifunction LED Light, 120V, Reading (standard lms)/Ambient (standard lms)/Exam (standard lms), Tunable White, 3000 Kelvin, 80 CRI, Grid Mount, Low Voltage Controller, No Options

Ordering Information:

Series	Voltage*	Functions	Tunable White**	Color Temperature*** (for other functions)	CRI	Mounting	Switching	Options
L-SDM-H	120	AL111 Reading (standard lms), Ambient (standard lms), Exam (standard lms)	TWA Tunable White Ambient	30 3000K	A 80 CRI	F Flange mount	000 No switch (provided by others)	00 No options, Standard Inset Door
	277	AL112 Reading (standard lms), Ambient (standard lms), Exam (high lms)	**Contact factory for other functions as tunable white	35 3500K	B 90 CRI	G Grid mount	LVC Low voltage controller	OD Overlapping Door
	<i>*Consult factory for 347 V requirement</i>	AL121 Reading (standard lms), Ambient (high lms), Exam (standard lms)		40 4000K			LVD Low voltage controller with dimming	IT Inset Door, Triple Gasketing
		AL122 Reading (standard lms), Ambient (high lms), Exam (high lms)		XX Custom Temperature			LMS Light Master without dimming	OT Overlapping Door, Triple Gasketing
		AL211 Reading (high lms), Ambient (standard lms), Exam (standard lms)		***Consult factory for additional options			LMD LightMaster with dimming	
		AL222 Reading (high lms), Ambient (high lms), Exam (high lms)					DAL Digital Addressable Lighting Interface Driver (DALI)	
		A100 Ambient only (standard lms)						
		A200 Ambient only (high lms)						
		A1E1 Ambient (standard lms), Exam (standard lms)						
		A2E2 Ambient (high lms), Exam (high lms)						
		A1E2 Ambient (standard lms), Exam (high lms)						
		A2E1 Ambient (high lms), Exam (standard lms)						
		CLXYZ Custom Lumens						



**Standard Output:
(per fixture)**

Ambient = 3,185 lms, 30 W, 106 lms/W
Exam = 4,230 lms, 40 W, 106 lms/W
Reading = 450 lms, 5 W, 90 lms/W

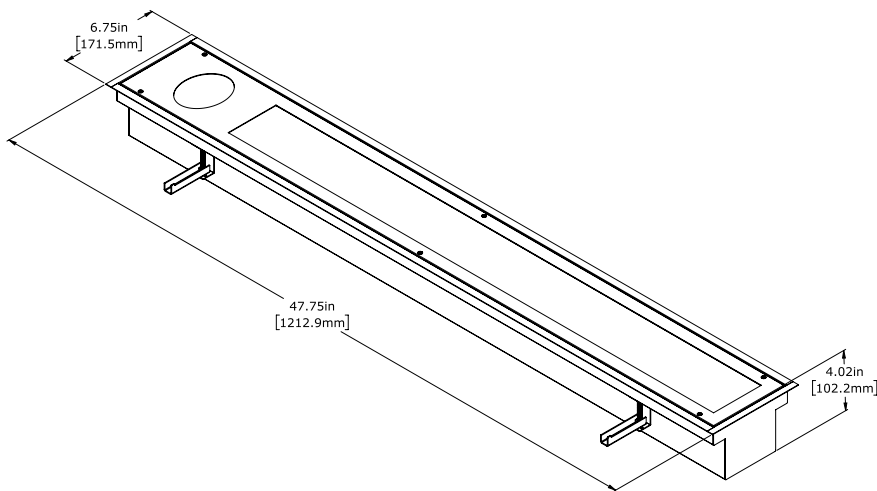
**High Output:
(per fixture)**

Ambient = 4,118 lms, 39 W, 106 lms/W
Exam = 6,345 lms, 60 W, 106 lms/W
Reading = 894 lms, 11 W, 83 lms/W

**Reading Light:
Chip on Board (COB)**

Dimensions:

Inset Door:



Distance Between Swing Arm and Flange:

