

Solar Duo Med LED Light

Now with Faster & More Efficient Installation



Hospital lighting just got smarter. **Solar Duo Med LED Light** combines architectural design with high performance, now featuring key **upgrades that simplify installation and reduce costs.**

What's New?

- ✓ **Swing arms for flange mount** – Faster and easier installation
- ✓ **Built-in hanger bracket for aircraft cable** – More stability with no extra parts
- ✓ **Improved access** – Standard access door for effortless maintenance
- ✓ **Lighter, more efficient fixture** – No more eye-bolts needed for grid mount
- ✓ **Saves more installation time** – Designed for efficiency

Key Features

- Hospital-grade material with white powder-coated finish
- Long-lasting LED lighting with dimming options (0-10V & DALI)
- Configurations for ambient, exam, and reading lights
- Tandem design frees up ceiling space for essential equipment

Optimize your projects
with Solar Duo Med.



Contact us today!
alt-sales@amico.com

Rooms/Applications



Technical Specifications

Standard Lumen Output

- Ambient: 3,185 LMS
- Exam: 4,230 LMS
- Reading: 450 LMS
- Total: 7,865 LMS

Dimming Options

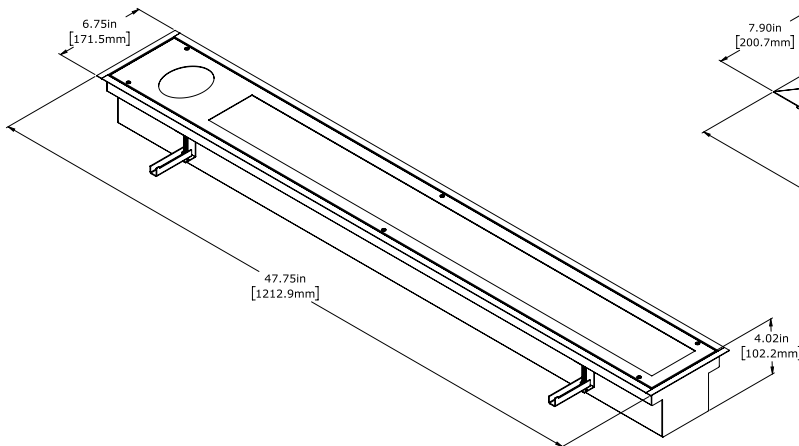
- 0 - 10 Volts
- Standard 1% dimming
- DALI options available

Lens

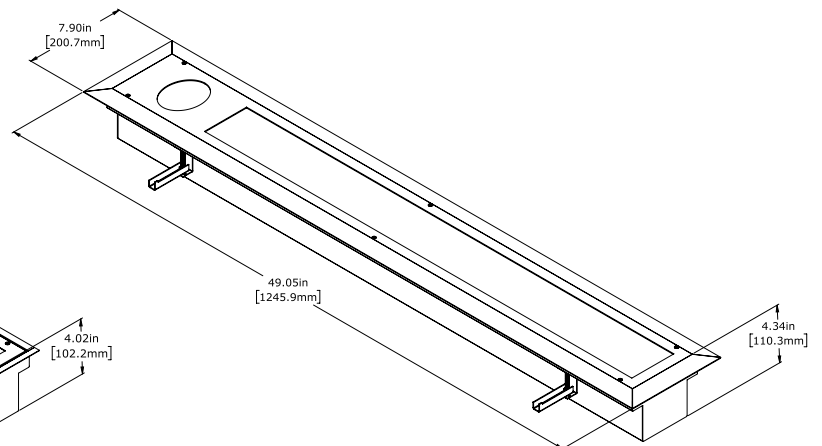
- IP65 rated fully enclosed CRS cover, with acrylic diffuser

Dimensions

Inset Door:



Overlapping Door:



Learn more about our
Solar Duo Med LED Light

Contact us for
More Information

EMAIL US