

Description:

The Solar Duo Med Exam LED Light is designed to provide you with optimal light that meets your general patient room requirements. With patient safety in mind, all of the LEDs are fully enclosed. The lenses and reflectors used offer clean, glare-free light to ensure maximum light output for caregivers to perform their tasks.

Features:

- Hospital grade material and finish
- Acrylic diffuser
- Exam lights
- Seam welded enclosure
- Long lasting LEDs
- Options for triple gasketing and overlapping door available



Construction Material:

Housing: 20ga CRS, single piece, seam-welded construction

Finish: White urethane powder coat finish – hospital grade material and finish

Lens: IP65 rated fully enclosed CRS cover, with acrylic diffuser; 3 mm (0.118") standard thickness

Drivers: High power factor constant current, 0.97 pf @ 120 V (Class 2, Class II)

Ingress Protection: IP65 rated fully enclosed 16Ga CRS cover, with contentious lens retention system. Tested and proven anti-ligature construction.

Light Source: Samsung LEDs mounted on Aluminum Core PCB

Specifications:

Voltage: 120 - 277 Volts

Standard Wattage: Exam: 40 W, Total Pair: 80 W

Standard Light Output: Exam: 4,230 lms, Total Pair: 8,460 lms

Dimming Options: 0 - 10 Volts, Standard 1% dimming; DALI options available

Color Quality: Standard 80 CRI, contact factory for 90 CRI option

Standard Color Temperature: 3000K, 3500K, 4000K (contact factory for additional options)

Life of LEDs: L70 > 100,000 hours

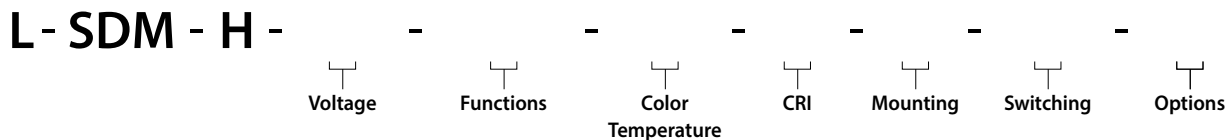
Listings: Certified to UL standards by ETL. Conforms to CSA standards as per ETL testing

Warranty: Limited five (5) year warranty

Solar Series

Duo Med Exam LED Light

Ordering Guide:



For Example: L-SDM-H-120-E200-L30-A-G-LVC-00

Solar Series Duo Med LED Light, 120 V, Exam only (high lms), 3000 Kelvin, 80 CRI, Grid Mount, Low voltage controller, No options

Ordering Information:

Series	Voltage*	Functions	Color Temperature***	CRI	Mounting	Switching	Options
L-SDM-H	120	E100 Exam only (standard lms)	L30 3000K	A 80 CRI	F Flange mount	000 No switch (provided by others)	00 No options, Standard Inset Door
	277	E200 Exam only (high lms)	L35 3500K	B 90 CRI	G Grid mount	LVC Low voltage controller	OD Overlapping Door
	<i>*Consult factory for 347 requirement</i>	EXYZ Custom Lumens	L40 4000K			LVD Low voltage controller with dimming	IT Inset Door, Triple Gasketing
			CXX Custom Temperature			LMS Light Master without dimming	OT Overlapping Door, Triple Gasketing
			<i>***Consult factory for additional options</i>			LMD LightMaster with dimming	
						DAL Digital Addressable Lighting Interface Driver (DALI)	

Standard Output:

(per fixture)

Exam = 4,230 lms, 40 W, 106 lms/W

High Output:

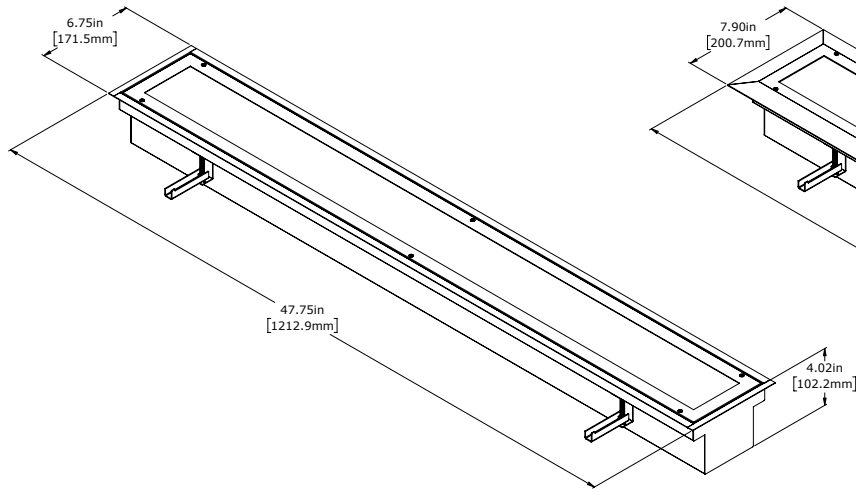
(per fixture)

Exam = 6,345 lms, 60 W, 106 lms/W

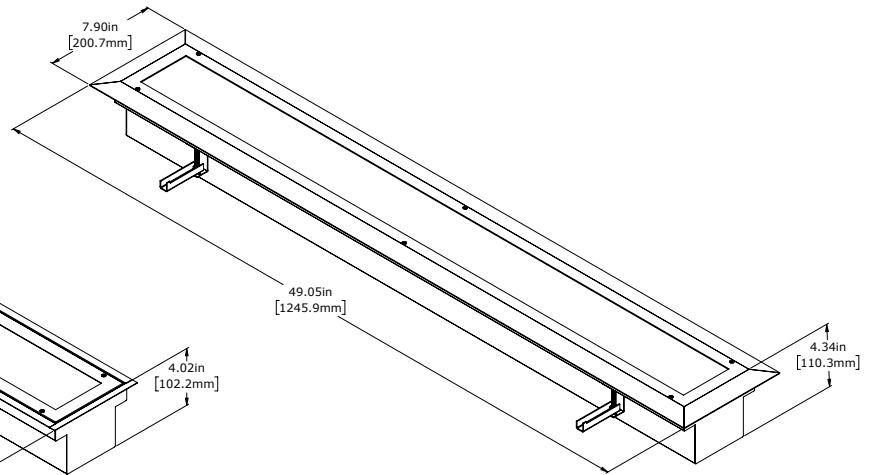
Solar Series Duo Med Exam LED Light

Dimensions:

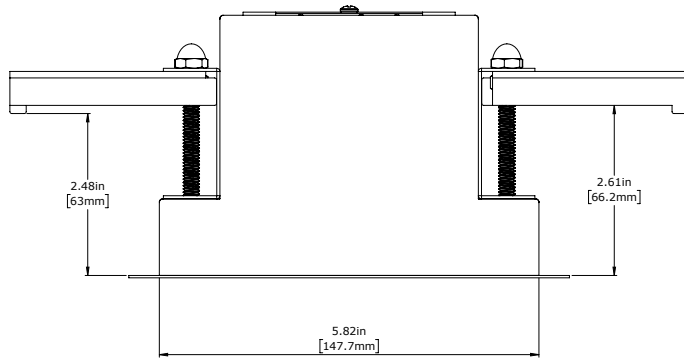
Inset Door:



Overlapping Door:



Distance Between Swing Arm and Flange:



Ceiling Cutout Dimensions:

*Per Single Duo Med Fixture

Ceiling Cutout Length (inches)	Ceiling Cutout Width (inches)
47.25	6.125

*Ceiling Cutout should be accurate within 1/16 of an inch