

Description:

The Amico Solar Series Nova Motorized LED Exam Light is a fully recessed exam light that can be used in various settings throughout the hospital environment. Precisely positioned LEDs and 360 degrees rotation allow for increased illumination and superior shadow control for more targeted examinations. Available in either single or dual configurations, The Nova offers a convenient alternative to ceiling mounted exam lights and can easily be controlled by a single keypad.



Features:

- Hospital grade materials and finishes for easy cleaning and infection control
- Fully recessed installation
- Long lasting LEDs come in various color temperatures
- Available in single or dual configurations
- Low voltage wall control keypad for user safety
- Wall control keypad fits seamlessly into a single gang box
- Conveniently control up to two Nova exam lights on one keypad

Construction Material:

Housing: 20GA cold rolled steel enclosure

Finish: Matte black paint finish – 5 step treatment; hospital grade material and finish

Drivers: High power factor constant current, 0.97 pf @ 120 V (Class 2, Class II)

Specifications:

All outputs are from a single Nova

Voltage: 120 Volts

Standard Wattage: 65 W

Standard Light Output*:

- 55,000 LUX
- Ceiling Height: 10'0"
- Work Plane: 3'0"

**refer to Ceiling Chart on page 3*

Color Quality: 95+ CRI

Dimming: 1%

Angle of Illumination: 38 Degrees

Beam Angle*: D₁₀ - 9.1°

**Refer to page 3 for visual representation*

Ingress Protection: IP65

Standard Color Temperature*: 3000K, 3500K, 4000K, 4500K

**Contact factory for other color temperatures*

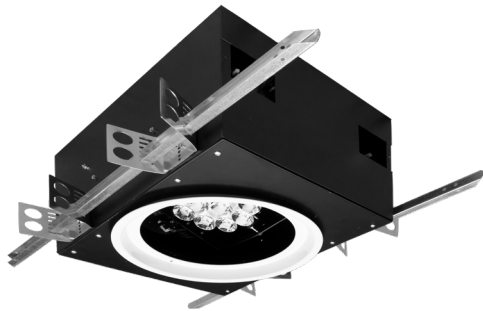
Life of LEDs: L70 50,000 hours

Warranty: Limited five (5) year warranty

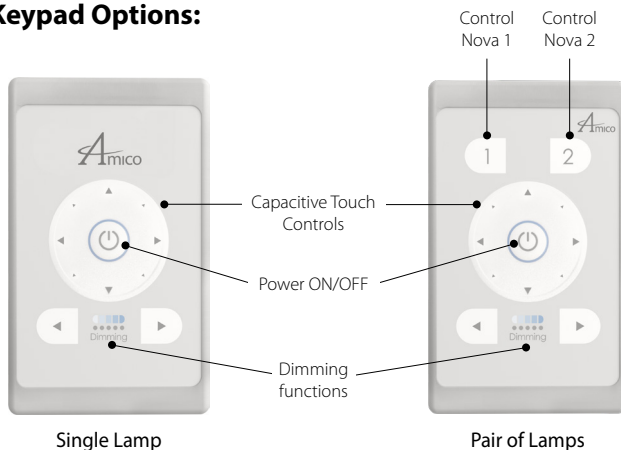
Conforms to: AAMI STD ES60601-1, IEC STD 60601-1-6, IEC STD 60601-2-41

Certified to: CSA STD C22.2 No.60601-1

Nova Motorized LED Exam Light:



Keypad Options:



Ordering Guide:

L - NVA - 120 - - -

Quantity of Lights Voltage Color Temperature Keypad Quantity Options

For Example: L-NVA-P-120-LED30-2-00

Nova Series, Pair of Lights, 120 Volts, 3000 Kelvin, 2 Keypads, No Options

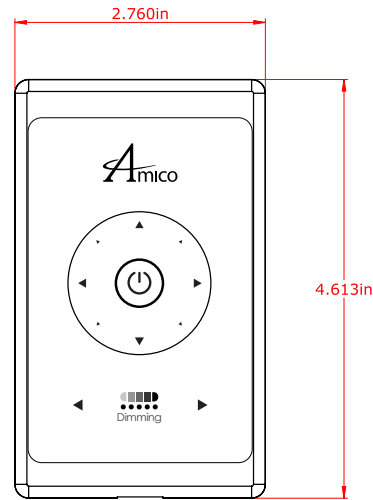
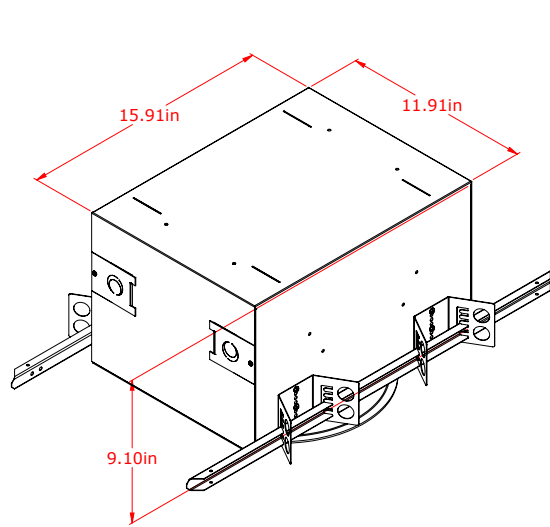
Ordering Information:

Series	Quantity of Lights	Voltage	Color Temperature	Keypad Quantity*	Options
L-NVA	S Single	120 120 V	LED30 3000K	1 1 Keypad	00 No Options
	P Pair		LED35 3500K	2 2 Keypads	RC Remote Control
			LED40 4000K		
			LED45 4500K		

NOTE:

*A single or pair of Nova lights can be controlled by a single keypad. Please specify if you would like more than one keypad for different locations within the room.

Dimensions:



NOTE:

Keypad is the size of a standard switch plate and fits into a single gang box.

Ceiling Chart:

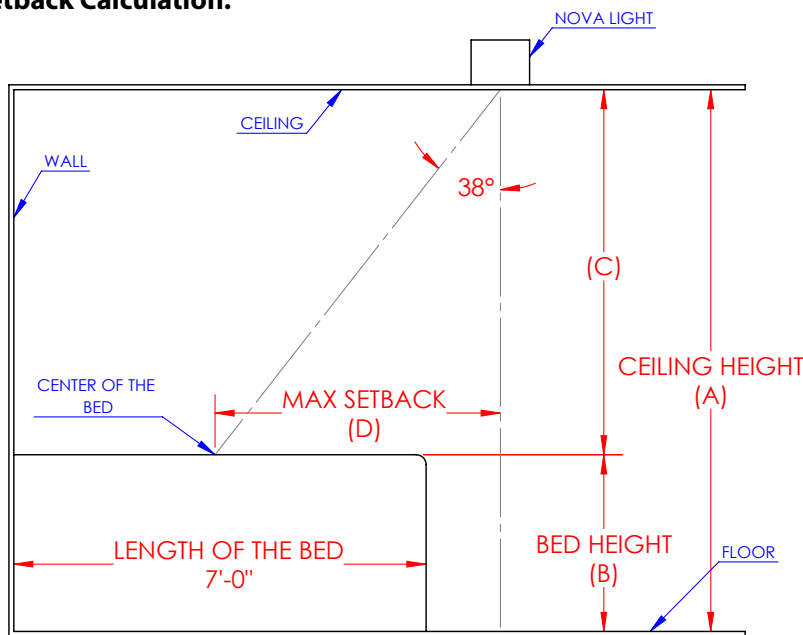
All outputs are from a single Nova

Ceiling Height (A)	Light Output in LUX at Nadir	Light Output in LUX at Extreme Position	Max Setback (D)
10'	55,000	21,500	5'6"
9'6"	60,700	25,000	5'1"
9'	66,300	28,800	4'8"
8'6"	72,700	32,500	4'4"
8'	80,700	36,200	3'11"

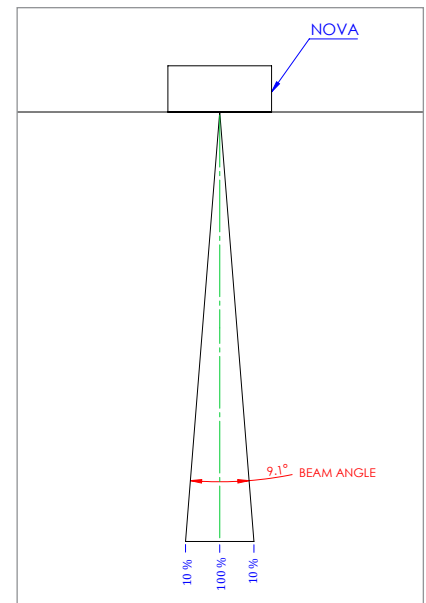
NOTES:

The bed is considered as 3'0"
The angle of illumination is 38 degrees

Max Setback Calculation:



Beam Angle:



Remote Control Dimensions:

