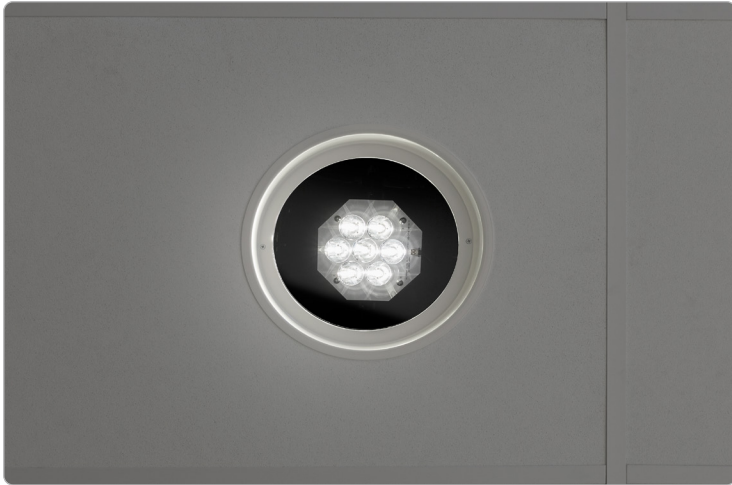


**Description:**

The Amico Solar Series Nova Motorized LED Exam Light is a fully recessed exam light designed for use in NICU spaces. The Nova offers a convenient alternative to ceiling mounted exam lights, easily controlled by a single keypad, and is designed with a small beam diameter as to not interfere with infant care.



**Features:**

- Hospital grade materials and finishes for easy cleaning and infection control
- Fully recessed installation
- Long lasting LEDs come in various color temperatures
- Low voltage wall control keypad for user safety
- Wall control keypad fits seamlessly into a single gang box
- Small beam diameter suited for use in NICU spaces
- Adjustable direction and light intensity
- 30 degree tilt, 360 degree rotation

**Construction Material:**

**Housing:** 20GA cold rolled steel enclosure

**Finish:** Matte black paint finish – 5 step treatment; hospital grade material and finish

**Drivers:** High power factor constant current, 0.97 pf @ 120 V (Class 2, Class II)

**Specifications:**

*All outputs are from a single NICU Nova*

**Voltage:** 120 Volts

**Standard Wattage:** 65 W

**Standard Light Output\*:**

- 30,000 LUX
- Ceiling Height: 10'0"
- Work Plane: 3'0"

*\*refer to Ceiling Chart on page 3*

**Color Quality:** 95+ CRI

**Dimming:** 1%

**Angle of Illumination:** 38 Degrees

**Beam Angle\*:** D<sub>50</sub> - 4.5°, D<sub>10</sub> - 8°

*\*Refer to page 3 for visual representation*

**Ingress Protection:** IP65

**Standard Color Temperature\*:** 3000K, 3500K, 4000K, 4500K

*\*Contact factory for other color temperatures*

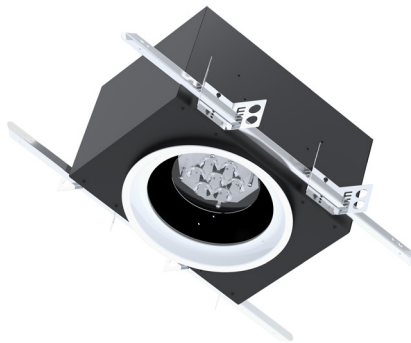
**Life of LEDs:** L70 50,000 hours

**Warranty:** Limited five (5) year warranty

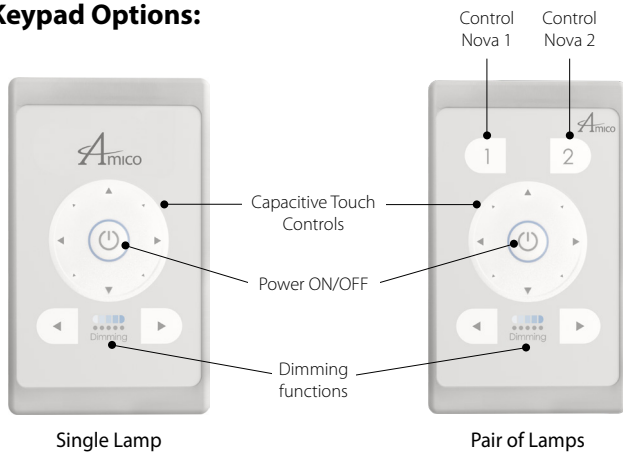
**Conforms to:** AAMI STD ES60601-1, IEC STD 60601-1-6, IEC STD 60601-2-41

**Certified to:** CSA STD C22.2 No.60601-1

**Nova Motorized LED Exam Light - NICU:**



**Keypad Options:**



**Ordering Guide:**

**L - NVA - 120 - - -**

Quantity of Lights      Voltage      Color Temperature      Keypad Quantity      Options

**For Example: L-NVA-S-120-LED30-2-N**

Nova Series, Single Light, 120 Volts, 3000 Kelvin, 2 Keypads, NICU

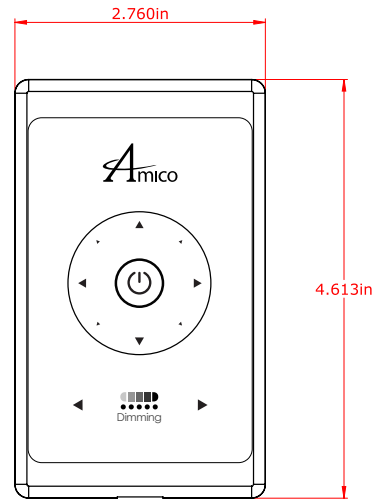
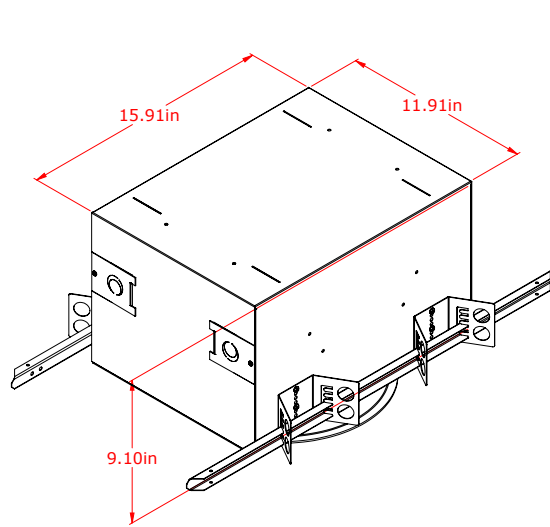
**Ordering Information:**

Series	Quantity of Lights	Voltage	Color Temperature	Keypad Quantity*	Options
L-NVA	S Single	120 120 V	LED30 3000K	1 1 Keypad	N NICU
	P Pair		LED35 3500K	2 2 Keypads	NR NICU with Remote Control
			LED40 4000K		
			LED45 4500K		

**NOTE:**

\*Please specify if you would like more than one keypad for different locations within the room.

**Dimensions:**



**NOTE:**

Keypad is the size of a standard switch plate and fits into a single gang box.

### Ceiling Chart:

All outputs are from a single NICU Nova

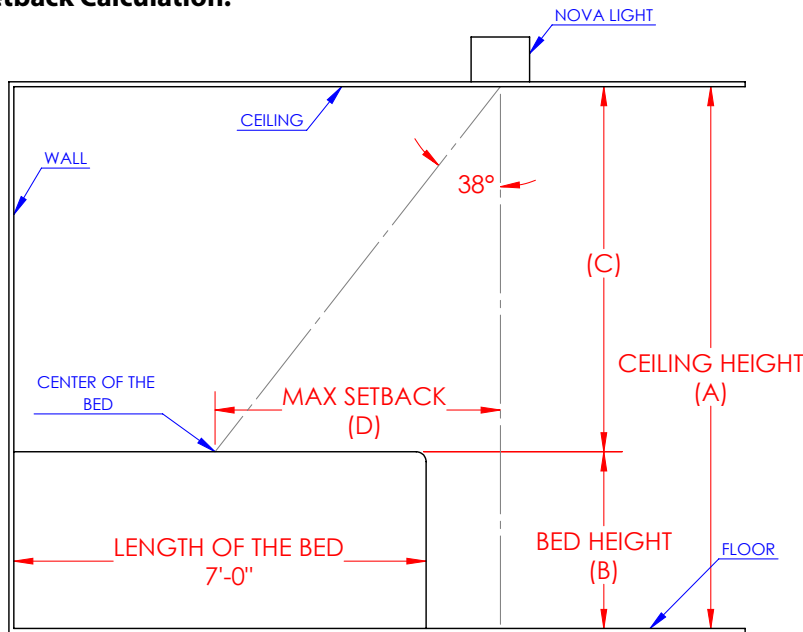
Ceiling Height (A)	Light Output in LUX at Nadir	Light Output in LUX at Extreme Position	Max Setback (D)
10'	30,000	13,700	5'6"
9'6"	34,200	16,100	5'1"
9'	37,100	18,500	4'8"
8'6"	41,900	20,900	4'4"
8'	47,400	23,400	3'11"

### NOTES:

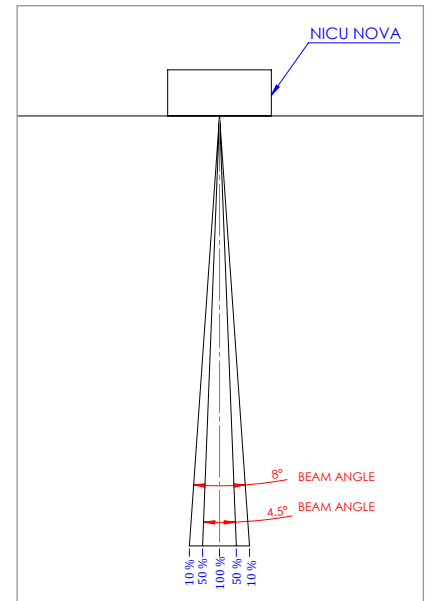
The bed is considered as 3'0"

The angle of illumination is 38 degrees

### Max Setback Calculation:



### Beam Angle:



### Remote Control Dimensions:

