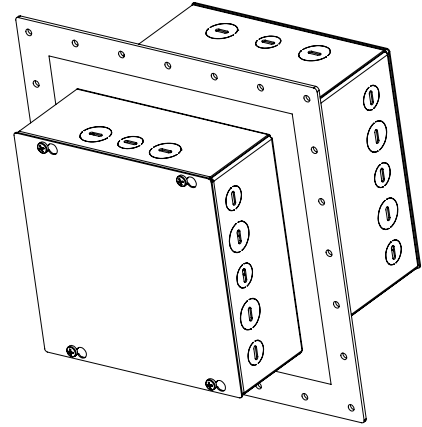


### Product Description

The RF Filter has a very high self-resonant frequency with self-healing dielectric designed specifically for MR Suite applications. Its small compact design allows for 8 filtered connection points for up to 240V AC or DC with a single shield penetration, greatly freeing up space.



<b>Mechanical</b>				
	Minimum	Typical	Maximum	Units
Flange Dimensions	-	13 x 13	-	inches
Rough Opening	-	10.5 x 10.5	-	inches
Product Weight	-	TBD	-	lbs
Enclosure	-	NEMA/EEMAC Type 1	-	-
Construction	-	Welded Aluminum/ Stainless Steel	-	-

<b>Electrical Inputs</b>				
	Minimum	Typical	Maximum	Units
Input Voltage	-	-	240	Vdc/Vac
Input Current/Pin	-	-	30	A

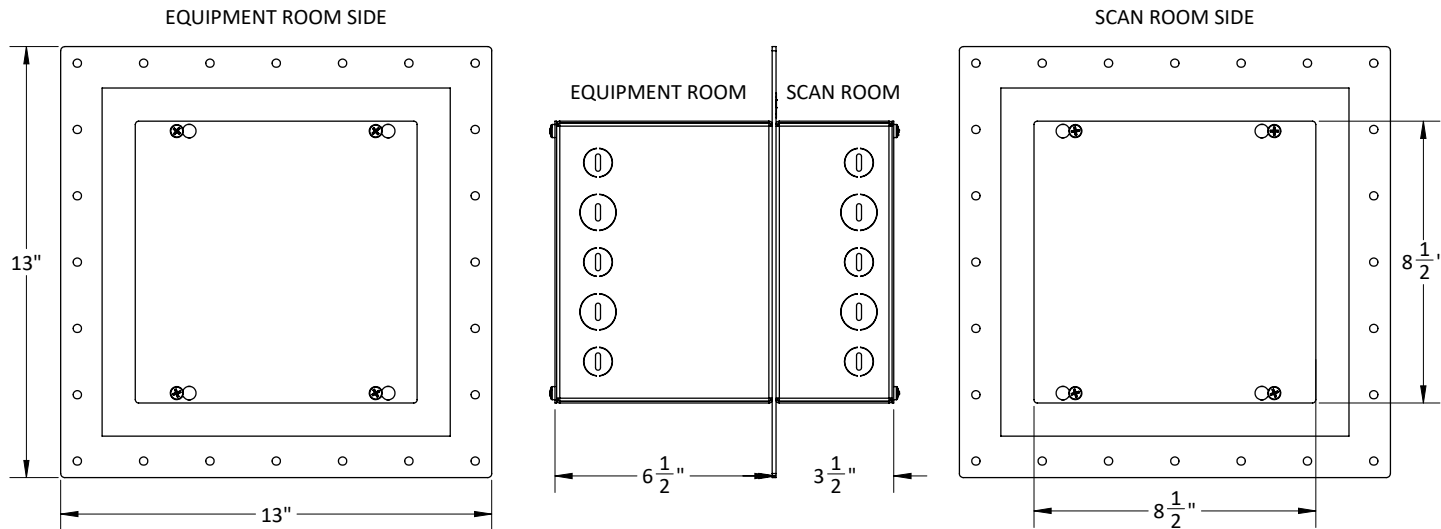
<b>Inputs/Outputs</b>	
	Connection
Accessory	Flying Leads

<b>Compliance</b>				
	Minimum	Typical	Maximum	Units
Regulatory Safety	-	Listed	-	UL 62368 CSA 22.2#62386-1 IEC 62368-1
CE	-	Pending	-	-
RoHS	-	Pending	-	2011/65/EU

<b>Environmental</b>				
	Minimum	Typical	Maximum	Units
Operating Temperature	0	25	40	C
Humidity	20	-	80	%
Warranty	3	-	-	Years

Ordering Information	
Part Number	Description
1-01-000050	RF Filter - 30A 8-Wire

### Mechanical Dimensions\*



\*For informational purposes only. Content subject to change.