

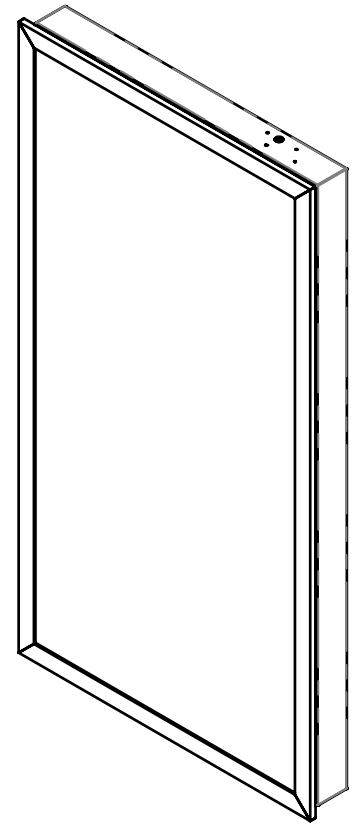
Important Safety Instructions

When using electrical equipment, basic safety precautions should always be followed including the below:

Read And Follow All Safety Instructions

- Warning:** This luminaire must be installed in accordance with the NEC or your local electrical code. If you are not familiar with these codes and requirements, consult a qualified electrician. *Attention : Ce luminaire doit être installé conformément au NEC ou à votre code électrique local. Si vous n'êtes pas familier avec ces codes et exigences, consultez un électricien qualifié.*
- Warning:** This equipment is not for use in hazardous combustible atmospheres as defined by the National Electrical Code. *Avertissement : Cet équipement ne doit pas être utilisé dans des atmosphères combustibles dangereuses telles que définies par le National Electrical Code.*
- Danger:** Risk of shock - Disconnect power before installation. *Danger : Risque de choc – Couper l'alimentation avant l'installation.*
- Do not install insulation within 76 mm (3 in) of any part of this luminaire. *Ne pas mettre l'isolant à moins de 76 mm (3 po.) De toute partie du luminaire.*
- Dry locations only. *Pour emplacements secs seulement.*
- Access behind wall required. *Acces requis derriere le mur.*
- Inherently protected. *Protection inherente.*
- This luminaire must be mounted or supported independently of an outlet box. *Ce luminaire ne doit pas être monté sur une boîte de sortie ni supporté par une telle boîte.*

RGB LED Illuminated Wall Fixture
*Consult factory for custom sizes



Save These Instructions For Future Reference

Installation

Table 1 - Dimensions

Part Number	Rough-in Dimensions	Cutout Dimensions	
		Width (inches)	Height (inches)
1-07-000013	See Diagram 1	47"	89"
1-07-000140	See Diagram 1	47"	89"
1-07-000141	See Diagram 1	47"	89"
1-07-000142	See Diagram 1	47"	89"
1-07-000143	See Diagram 2	23"	89"
1-07-000144	See Diagram 2	23"	89"
1-07-000145	See Diagram 2	23"	89"
1-07-000150	See Diagram 2	23"	89"

Step 1:

Turn off the power supply.

Step 2:

Create a rough opening in the intended mounting location. The rough opening should be 4 1/2" from finished floor for standard 4" toe kick. Reference to table determine the correct rough in **Table 1**.

Step 3:

Remove the removable frame assembly by lifting it up and off of the 8 latch clips. Refer to **Diagram 3**. Set the assembly aside in a safe and clean place.

Step 4:

Remove the 22 Phillips head screws securing the mounting frame and secondary lens to the wall box.

NOTE: Ensure safety when removing the mounting frame and secondary lens. Refer to **Diagram 4**. Set the mounting frame and secondary lens aside in a safe and clean place.

Diagram 1 - 4' x 8' Rough-In Dimensions

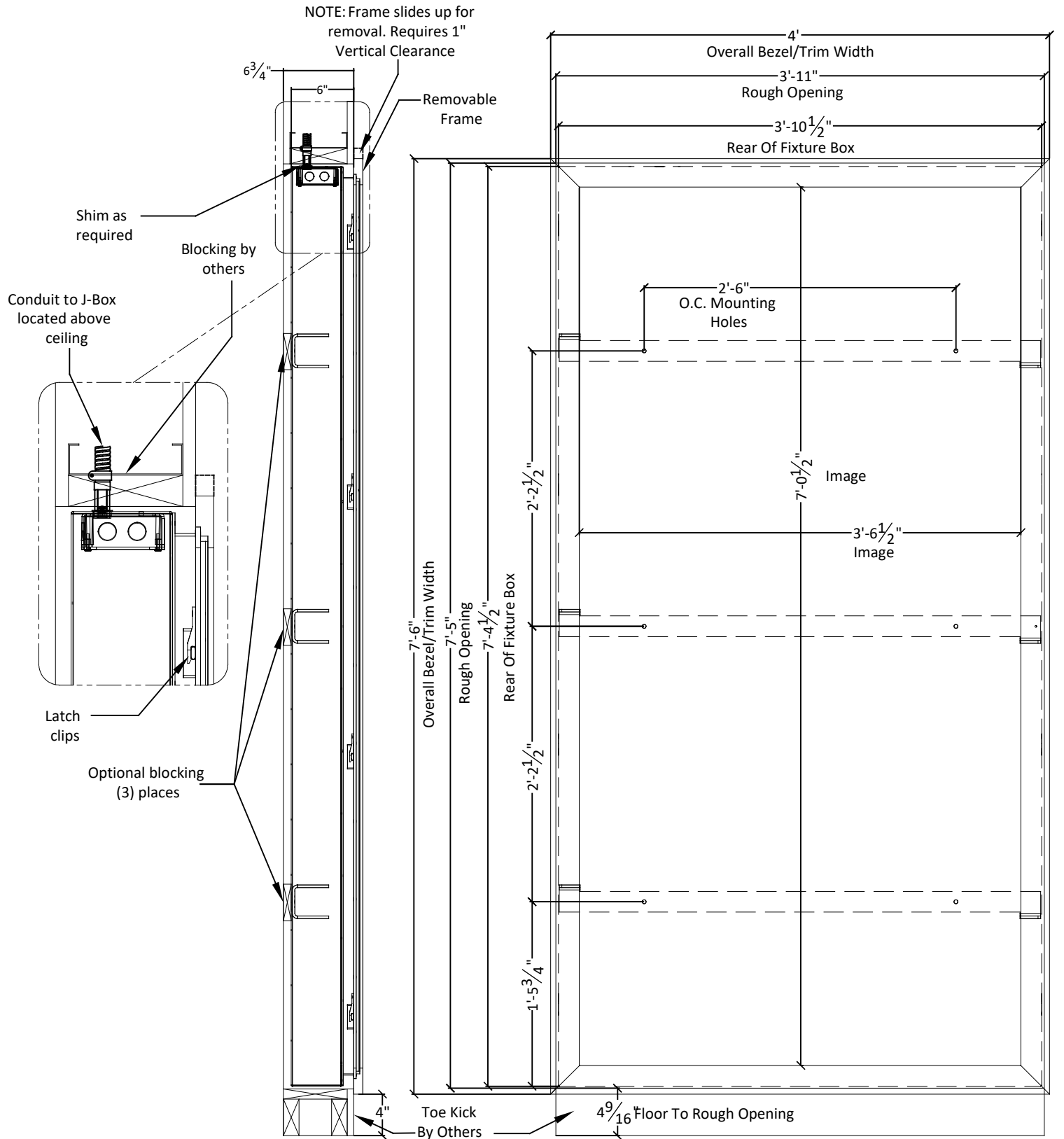
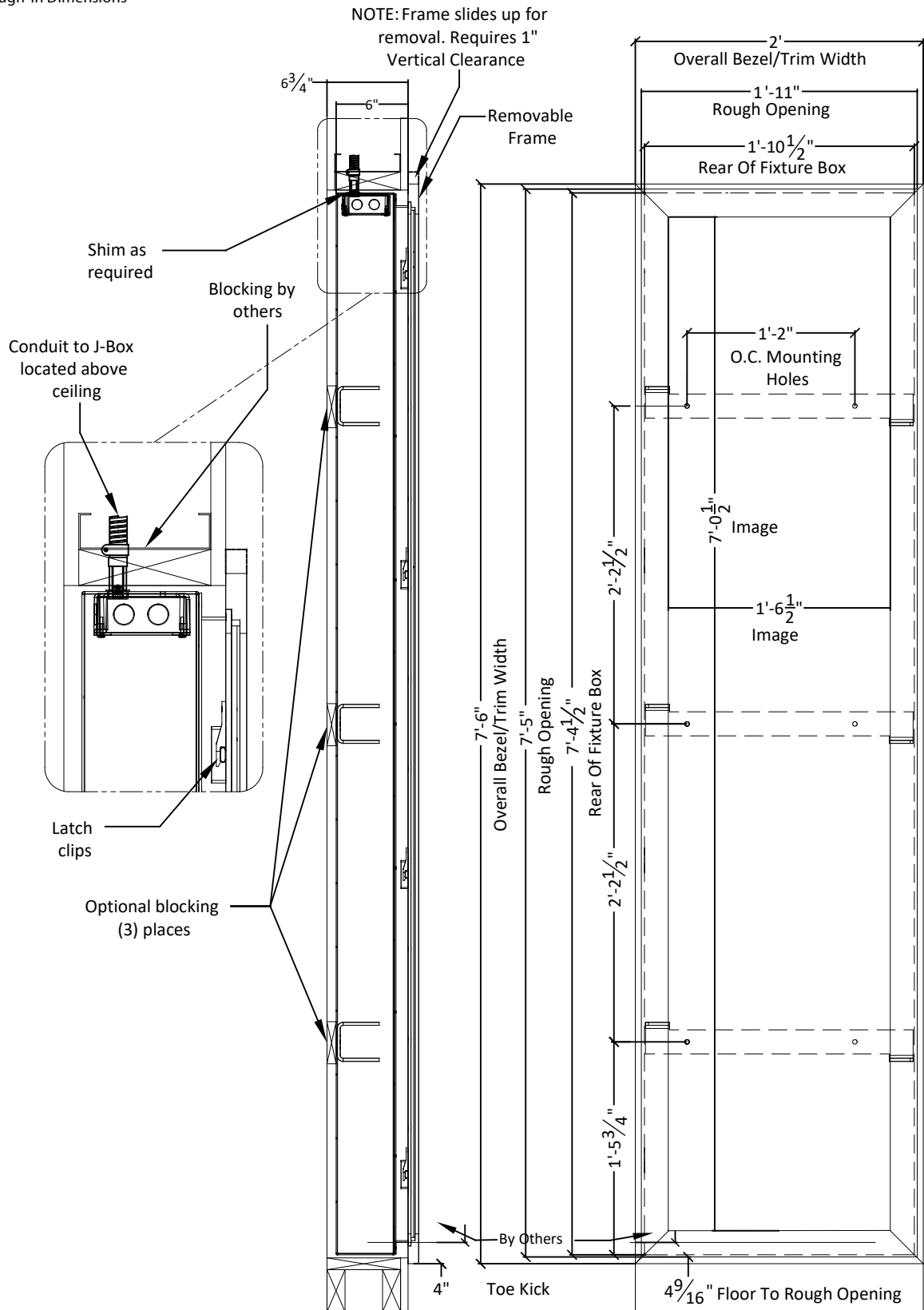


Diagram 2 - 2' x 8' Rough-In Dimensions



Step 5:

Secure the luminaire to the intended mounting surface with screw or bolt type fasteners through the 6 mounting holes located on the rear surface of the luminaire housing. Screws should be sized to NOT penetrate the shielding material.

NOTE: If mounting through the sides of the luminaire housing is necessary, appropriately sized holes may be drilled through the side walls and the Luminaire housing may be secured to the intended mounting surface with screw or bolt type fasteners. A minimum of 6 fasteners is recommended.

Diagram 3 - Decorative Lens and Frame

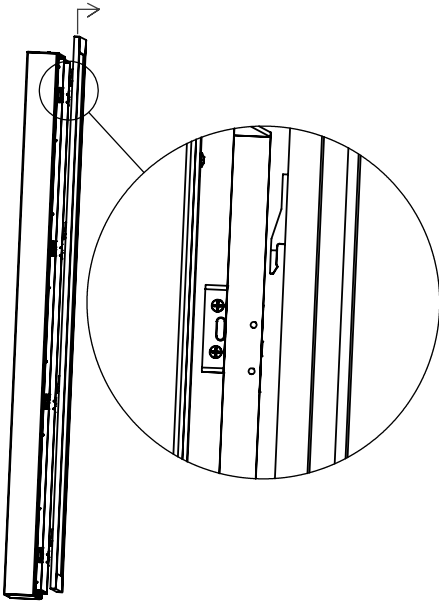
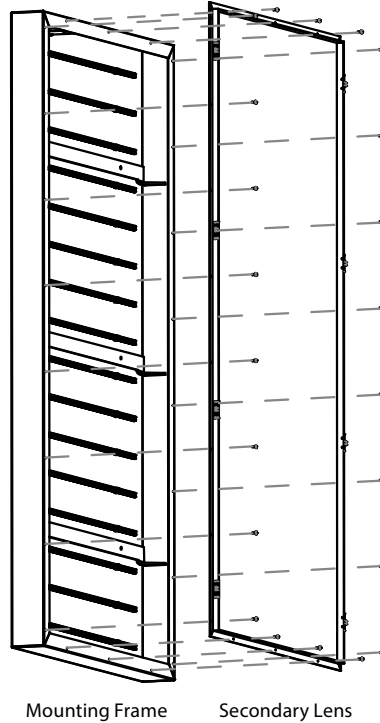


Diagram 4 - Mounting Frame, Secondary Lens



Step 6:

Remove the Junction box cover located within the mounting frame.

Step 7:

Wire the luminaire per the **Electrical Connections** section.

Step 8:

Replace the Junction box cover removed in **Step 6**.

Step 9:

Replace the mounting frame and secondary lens removed in **Step 4** ensuring all of the 22 screws are replaced.

Step 10:

Replace the decorative lens assembly removed in **Step 3**.

Step 11:

Turn on the power supply.

Electrical Connections

Step 1:

Using customer supplied UL Listed conduit, bring the minimum 12 Awg supply wire to the junction box located at the top of the luminaire housing

Step 2:

Using 90°C minimum rated wire connectors, terminate the supply wiring in Junction Box.

RGB LED Illuminated Wall Fixture - Diagrams 5 and 6

1. Connect + 12V supply lead to the Black lead.
2. Connect - 208A Red supply lead to the Red negative lead.
3. Connect - 209A Green supply lead to the Green negative lead.
4. Connect - 210A Blue supply lead to the Blue negative lead.

Diagram 6

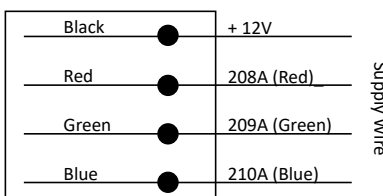
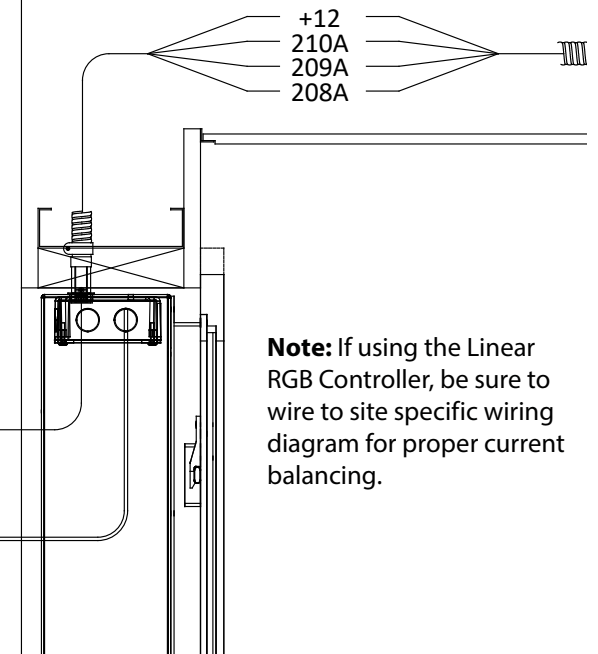


Diagram 5



Note: If using the Linear RGB Controller, be sure to wire to site specific wiring diagram for proper current balancing.



Directive 2012/19/EU (WEEE - Waste Electrical and Electronic Equipment): Information for Users

This product complies with EU Directive 2012/19/EU. The crossed out wheeled bin symbol on the article means that at the end of its useful lifespan, this product must not be disposed of with your other household or municipal waste. This product has required the extraction and use of natural resources for its production. It may contain hazardous substances that could impact health and the environment if not properly disposed. In order to avoid dissemination of those substances in our environment and to diminish the pressure on the natural resources, the user is responsible for delivering the appliance to an appropriate collection facility at the end of its useful lifespan. The separate collection and recycling of your waste equipment at the time of disposal will help conserve natural resources and ensure that it is recycled in a manner that protects human health and the environment. For more information on available collection facilities contact your local waste collection service or the place of purchase.