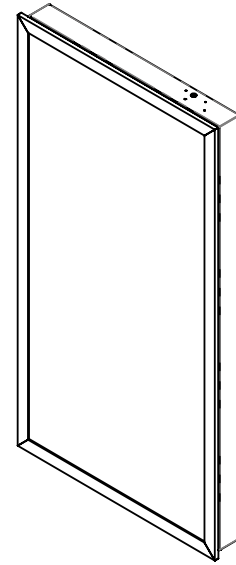


# Solar Series - MRI

## 4' x 8' RGB

# LED Illuminated Image Wall Fixture

## MRI Compatible



### Product Description

The LED Illuminated Image Wall Fixture is designed for MRI suite applications. It is a non-ferrous assembly which can be mounted within the MRI room. It is pre-engineered with easy installation textured lenses and can have applied artwork image graphics. Contains no on-board electronics therefore will not interfere with MRI imaging. Certified to meet MRI vendor EMI requirements. MRI applications require EMI free emissions for specific frequency bands. All drive circuitry employs linear regulation and no pulse width modulation (PWM\*).

### Properties

- Lens - Uniform LED Light Diffusing Polymer
- Housing - Welded Aluminum Construction
- Trim - Laminated

Mechanical				
	Minimum	Typical	Maximum	Units
Installation	-	Direct Wall Attachment Tabs	-	-
Dimensions (Fixture)	-	88.5 x 46.5	-	inches
Dimensions (Trim)	-	90 x 48	-	inches
Drywall Rough Opening	-	88 x 47	-	inches
Fixture Weight	-	168	-	lbs

Electrical				
	Minimum	Typical	Maximum	Units
Input Voltage	-	12	-	Vdc
Input Current	-	13.25	-	A
Input Power	-	160	-	W
BTU	-	546	-	BTU/hr

Compliance				
	Minimum	Typical	Maximum	Units
IP	25	-	-	Dry Location
ETL/UL	-	Enclosure Rated	-	UL 8750/2108
RoHS	-	Pending	-	2011/65/EU

Environmental				
	Minimum	Typical	Maximum	Units
Storage Temperature	-40	25	85	C
Operating Temperature	-20	25	35	C
Humidity	5	-	95	%
Lifespan	50000	-	-	Hours
Warranty	3	-	-	Years

### Installation Notes

An Amico RF Filter is required for proper operation in the MRI suite

An Amico Power Supply is required for proper operation in the MRI suite

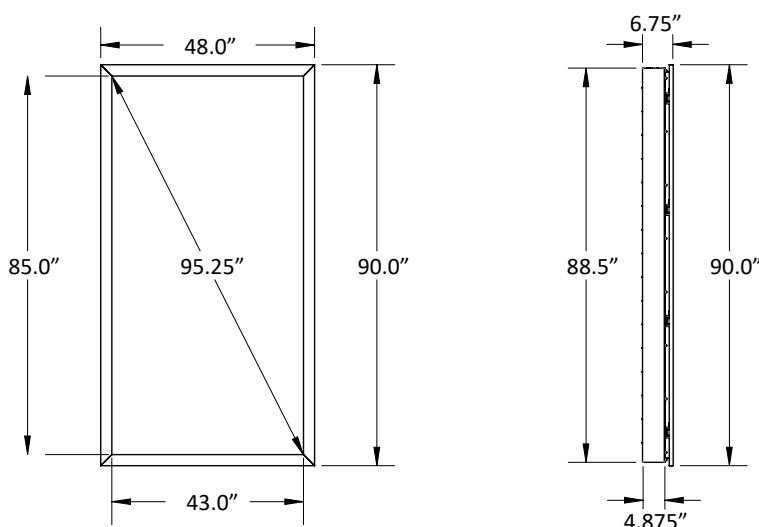
\*PWM is known to cause image artifacts, audible noise and light flicker

Ordering Information	
Part Number	Description
1-07-000141	Left Bamboo
1-07-000142	Right Bamboo

### Photometric Data and IES Distribution

	Minimum	Typical	Maximum	Units
Luminous Intensity (Red)/LED	400	-	-	mcd
Luminous Intensity (Green)/LED	900	-	-	mcd
Luminous Intensity (Blue)/LED	300	-	-	mcd
Wavelength (Red)	-	620	-	nm
Wavelength (Green)	-	520	-	nm
Wavelength (Blue)	-	460	-	nm
Viewing Angle	-	120	-	deg

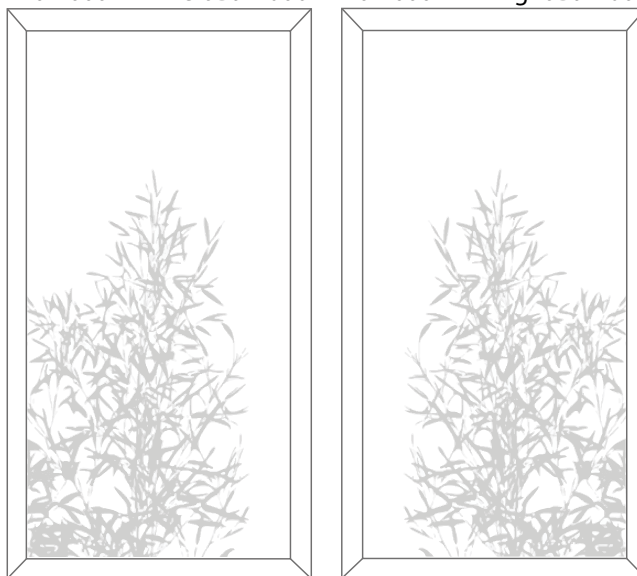
### Mechanical Dimensions\*



### Lens Options

1-07-000141 - Left Bamboo

1-07-000142 - Right Bamboo



\*For informational purposes only. Content subject to change.