

Pre-Installation Package

Mira LED Procedure Exam Light Ceiling Mount



Amico

Contents

Scope of Work	3
Purpose of Drawing	3
Key Requirements	3
Ceiling Component Installation	4
Amico Mounting Plate	6
Access Panel	7
Electrical Box (Power Supply)	8
Minimum Site Preparation Requirements	9

Scope of Work

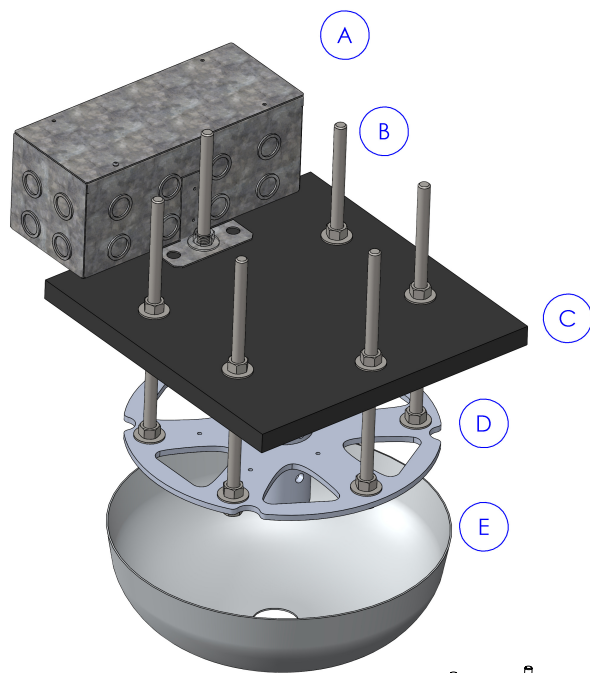
Purpose of Drawing

This drawing identifies all components required for the Mira pre-installation and defines responsibilities between Amico and the Others.

Key Requirements

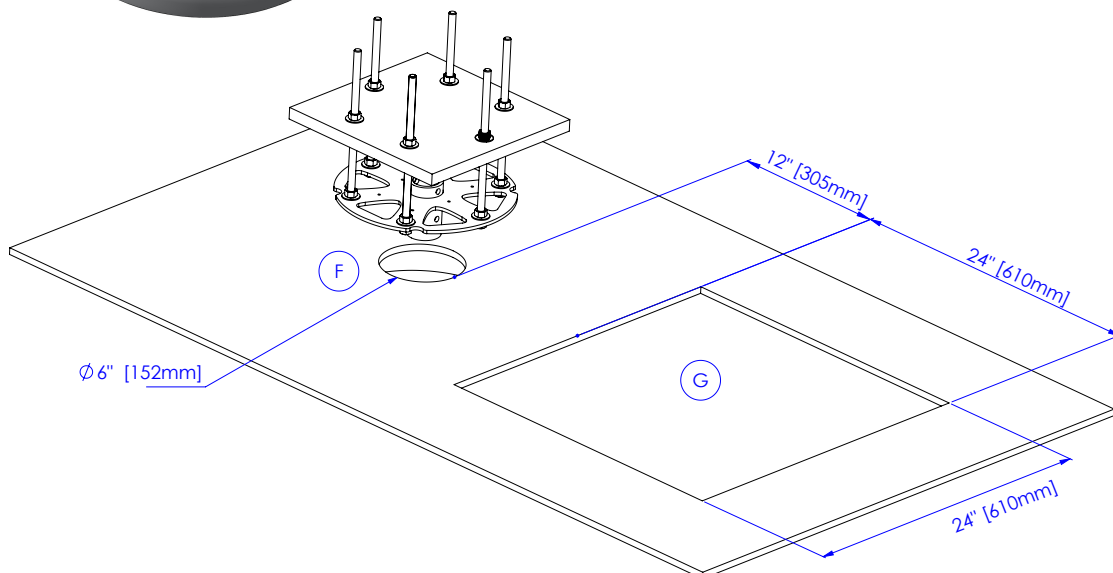
- Amico supplies the equipment mounting plate, threaded rod hardware, and power supply.
- Structural support plate and ceiling access panel are provided and installed by others.
- Finished ceiling shall include a 6" diameter opening centered on the mounting location.
- A 24" x 24" access panel shall be provided for future service access.

This drawing illustrates the required assembly sequence for mounting the Mira equipment plate to the structural support plate.



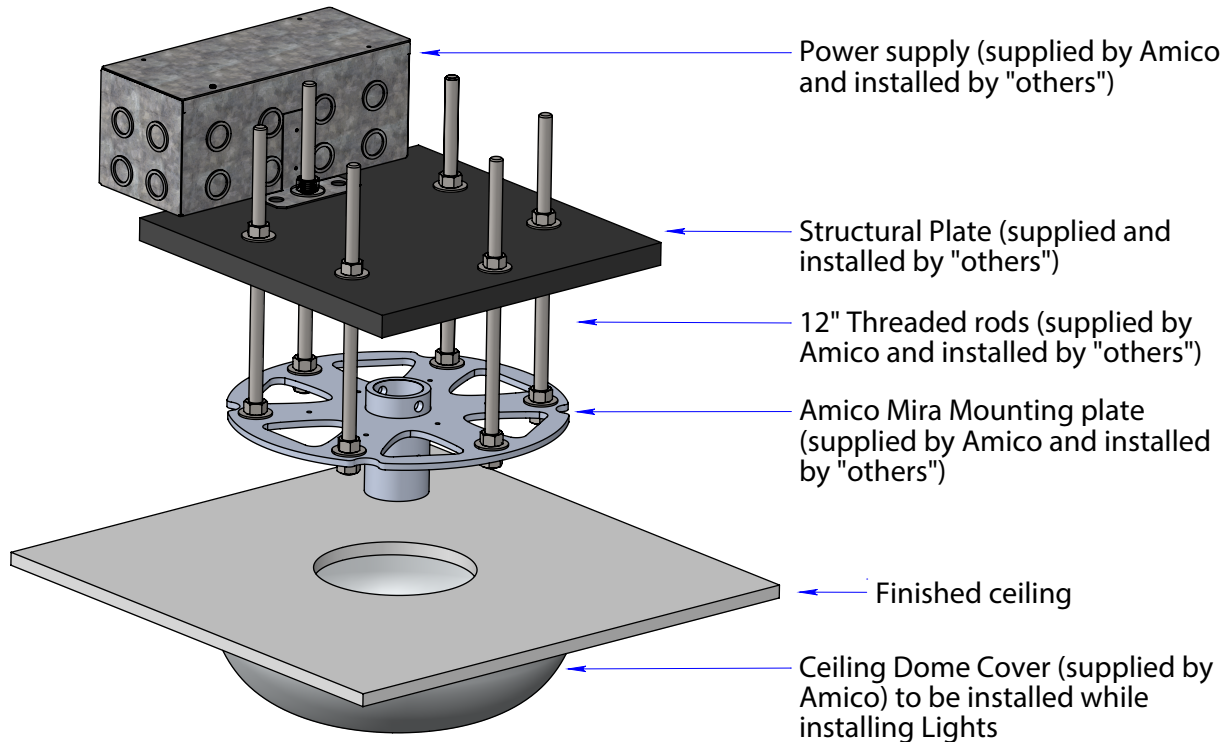
- A. Electrical Box - AMICO power supply is provided by AMICO and installed BY OTHERS.
- B. 6x (1/2") Threaded rods to be provided by Amico and installed BY OTHERS.
- C. Structural Plate - to be provided and installed BY OTHERS.
- D. AMICO Mira Mounting plate - AMICO Mira Mounting Plate is provided by AMICO and installed BY OTHERS.
- E. Ceiling Dome Cover to be installed during final installation.
- F. Required opening in finished ceiling is 6" Diameter and to be provided BY OTHERS.
- G. A 24" x 24" access panel* to be provided BY OTHERS.

* Access panel is required for hard ceilings and is not required for accessible Drop ceilings.

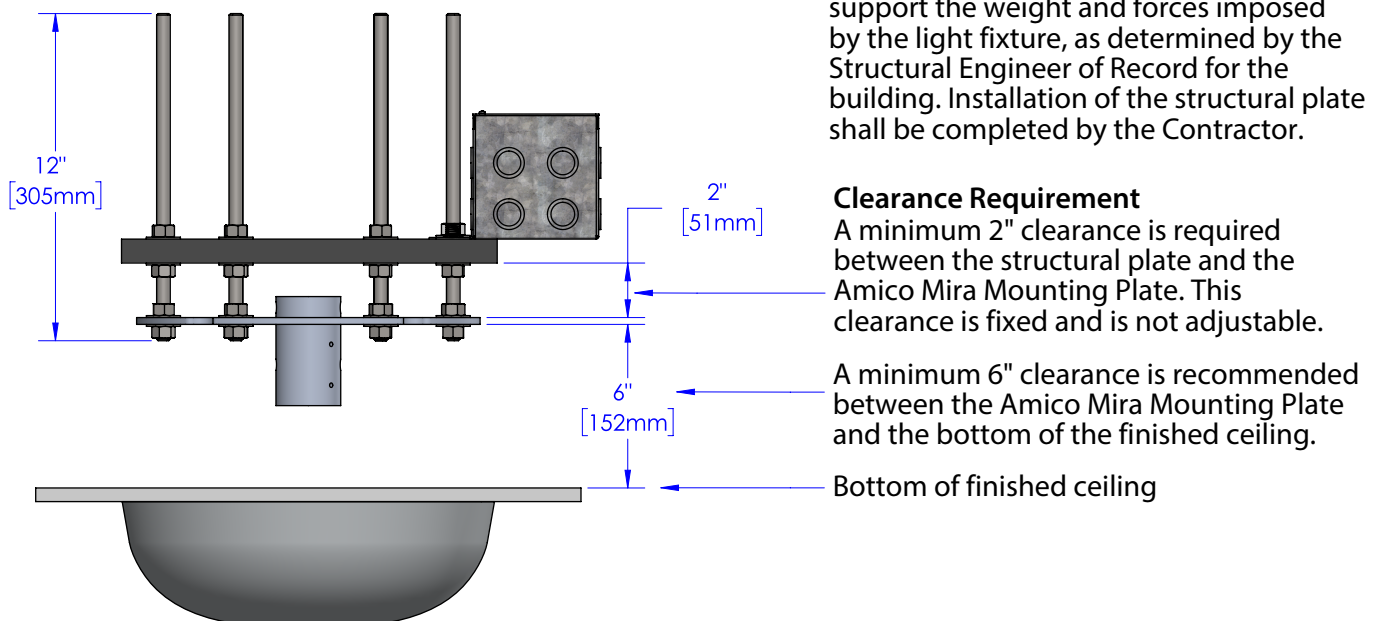


Ceiling Component Installation

Isometric View



Side View

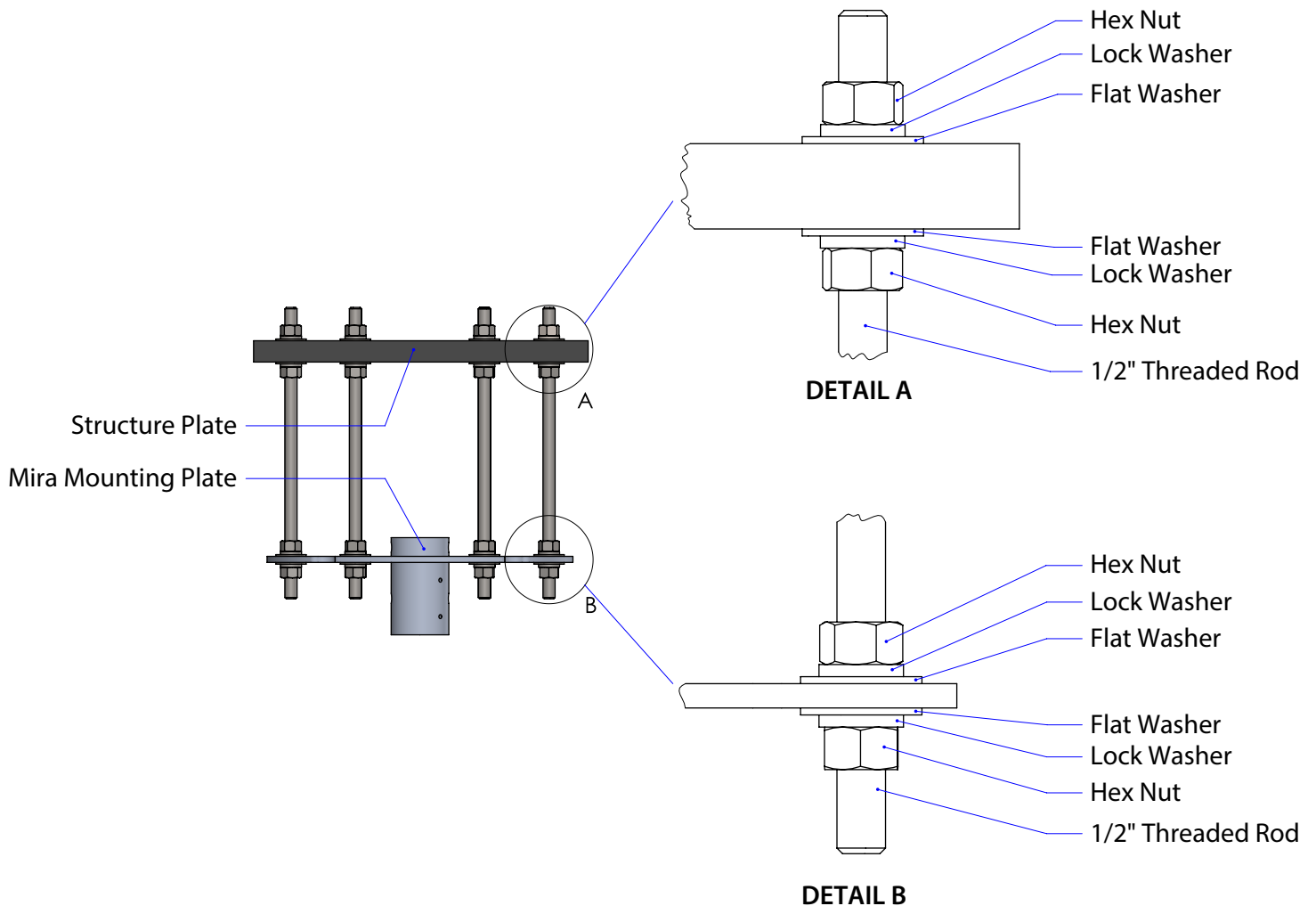


Ceiling Component Installation

Installation Requirements

- Six (6) sets of 1/2" threaded rods, nuts, and washers shall be used.
- "Others" will mount Amico Mira Mounting Plate to the structure plate by using the rods.
- "Others" must follow the assembly shown to mount the equipment plate to the structure plate.
- Threaded rods shall be installed plumb and securely fastened to the structural support plate.
- Mounting plate shall be leveled prior to tightening all hardware.

Threaded Rods



[Click Here to View: Mira Single Mount Weight and Force Calculations](#)

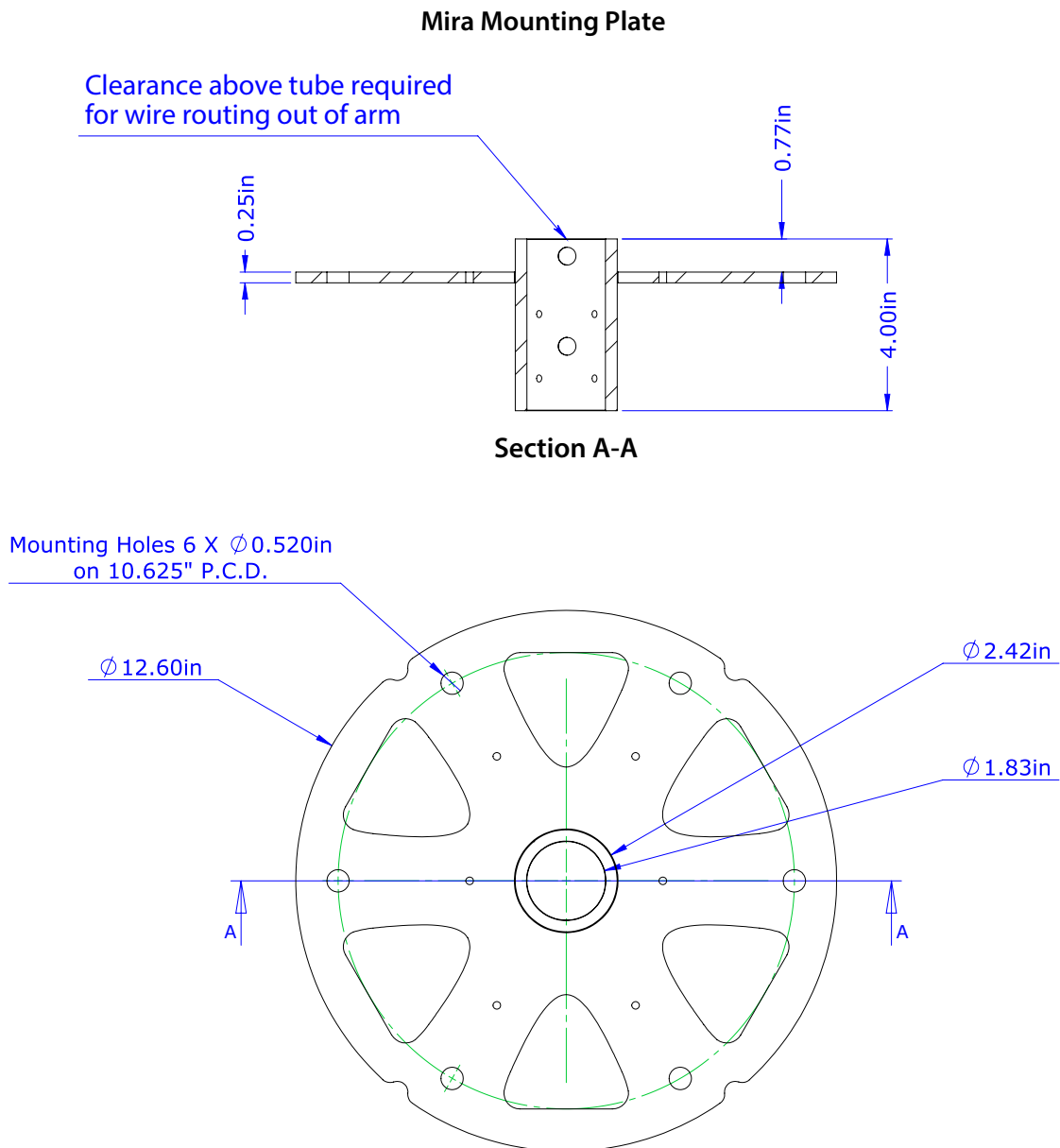
[Click Here to View: Mira Dual Mount Weight and Force Calculations](#)

Amico Mounting Plate

The drawing provides hole locations and dimensions for the Mira mounting plate.

Installation Requirements

- Verify all dimensions prior to fabrication of Structure and installation.
- Mounting plate shall remain level after installation.
- Do not modify or enlarge factory-provided holes.
- Maintain clear access to the center opening and all mounting hardware.



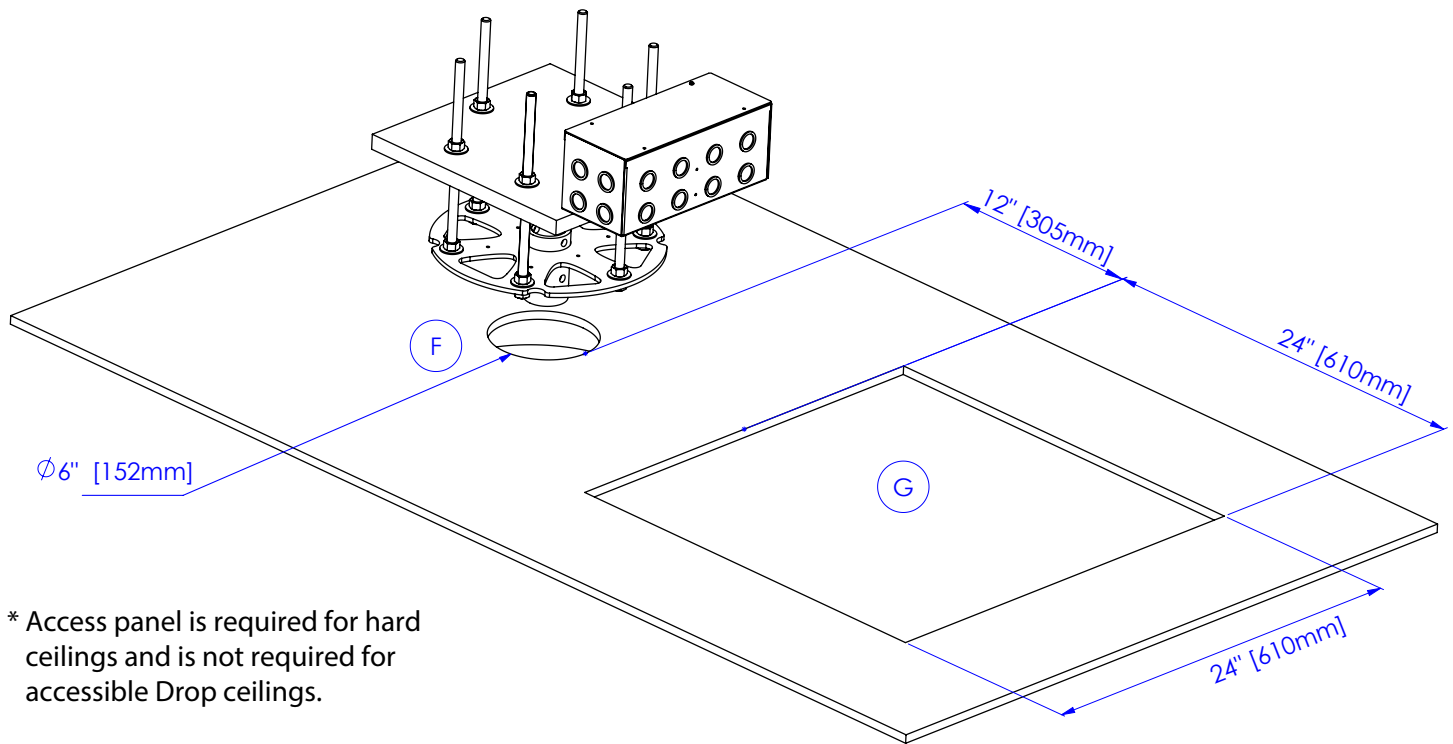
[Click Here to Download: Amico Mira Mounting Plate 1:1 Drawing](#)

Access Panel

Installation Requirements

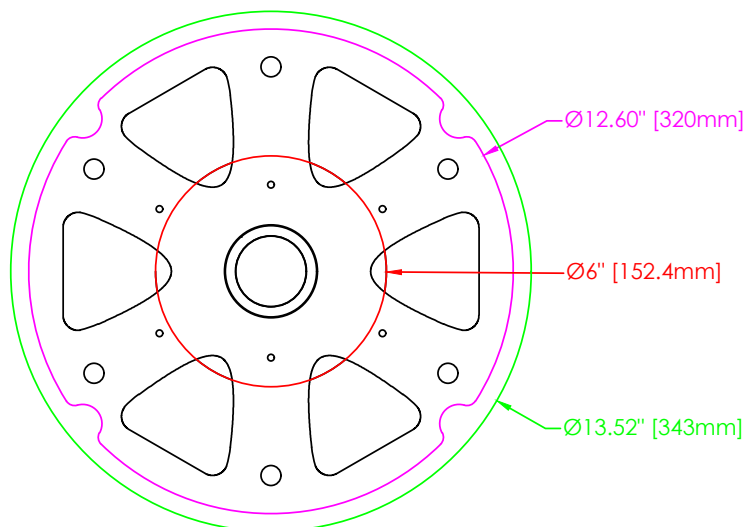
- "Others" to provide one 24" x 24" access panel.
- Access panel shall be located within 12" of the equipment plate.
- Electrical box shall be accessible through the access panel.
- Access panel is required for hard ceilings and is not required for accessible Drop ceilings.
- Maintain unobstructed access after completion of construction.

Cutout Drawing*



* Access panel is required for hard ceilings and is not required for accessible Drop ceilings.

Dome Cover and Mounting Plate Dimensions



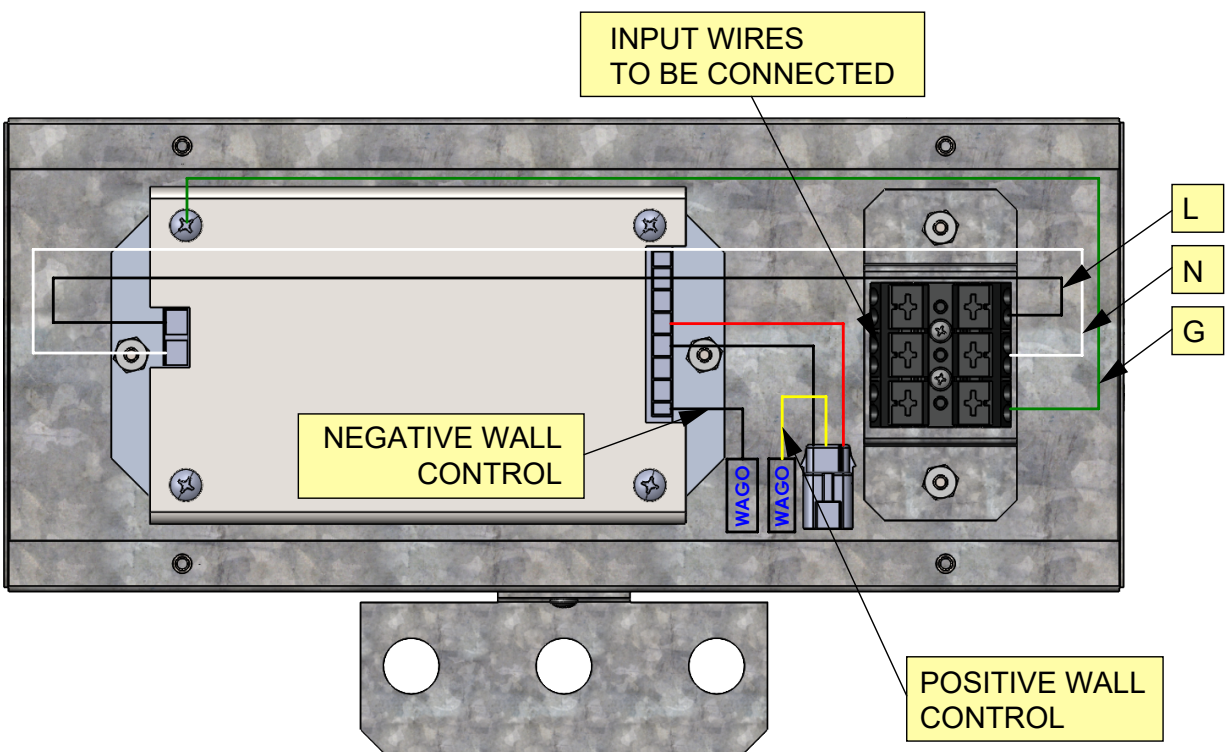
LEGEND	
●	Dome Cover
●	Mounting Plate
●	Opening of Ceiling

Electrical Box (Power Supply)

Installation Requirements

- Power supply shall be installed by others.
- Electrical box shall remain accessible through the access panel.
- Power supply shall be connected in accordance with local electrical codes.
- All High Voltage wiring shall be completed prior to Amico final installation.
- The Electrical Box shall be powered prior to final installation.

Wiring



[Click Here to View Mira Manual](#)

Minimum Site Preparation Requirements

The following requirements must be completed prior to the scheduled installation of the Amico Mira System. Failure to meet these requirements may result in installation delays and additional charges.

Structure & Mounting

1. Structural support plate has been installed in the correct location and securely attached to the building structure.
2. Six (6) 1/2" threaded rod mounting locations have been installed and are accessible.
3. Structural support system is level, rigid, and free from movement or deflection.

Ceiling Cutout and Access Panel

4. A 6" diameter ceiling opening has been provided and centered on the mounting location.
5. A 24" × 24" access panel has been installed within 12" of the Mira mounting location for service access.

Electrical Connections

6. Electrical rough-in and junction box installation have been completed.
7. Amico power supply has been mounted and connected to the electrical junction box by others.
8. Required electrical service is available, tested, and ready for final connection.

No Interference

9. All ceiling framing, backing, and support structures have been completed.
10. No ductwork, piping, conduit, cable tray, or other building services interfere with the installation space above the ceiling.
11. Adequate clearance has been maintained above the ceiling for installation and servicing of the Mira system.

Others

12. The installation area is clean, dry, and free of construction debris.
13. Safe access to the installation location is available for installers.
14. Any required lifting equipment or site access equipment is available on the scheduled installation date.

IMPORTANT

If Amico's Team is performing installation, all site preparation requirements must be completed and verified prior to the arrival of the installation team. Any deficiencies may result in installation delays, rescheduling, or additional charges.

www.amico.com

Amico Lights Corporation | 122-B East Beaver Creek Road, Richmond Hill, ON L4B 1G6, Canada
Toll Free Phone: 1.877.462.6426 | Toll Free Fax: 1.866.440.4986 | Tel: 905.764.0800 | Fax: 905.764.0862
Email: alt-sales@amico.com | www.amico.com