

Description:

The Lunar Series LED Night Lights bring a soft, low level of illumination to any healthcare environment. Night Lights allow clinical staff to navigate through a dark room without disturbing patients. To accommodate for the various sleep patterns of the patient, the Lunar Series Night Lights are available in 2700K, 3000K, 3500K, and 4000K soft white as well as in amber and blue colors. Our unique faceplate design is not only aesthetically pleasing, it also has minimal protrusion from the wall and provides even light distribution. This fixture has been customized with a tamper-proof polycarbonate shield and Torx fasteners to offer the added security needed for behavioral health areas of the facility. The Faceplate is constructed using a high-quality impact resistant die cast aluminum.

Features:

- Hospital grade material and antimicrobial finish
- White, amber, and blue LED options
- Even light distribution
- Long lasting LEDs
- Tamper Resistant



White 2700K



White 3000K



White 3500K



Amber



Blue

Construction Material:

Housing: Die-cast aluminum. Powder coated finish with 5-stage pre-treatment. Antimicrobial finish.

Lens: Frosted diffuser for a general light distribution. UV-stabilized, high impact-resistant, injection molded polycarbonate.

Installation: Standard installation requires the back plate to be mounted to a NEMA, single-gang junction box (supplied by others).

Drivers: High power factor constant current, 0.97 pf @ 120 V (Class 2, Class II).

Specifications:

Voltage: 120 - 277 Volts

Light Output: 33.4 lm

Wattage: 3.3 W

Color Temperature: White 2700K, White 3000K, White 3500K, White 4000K, Amber, Blue

Life of LEDs: L70 50,000 hours

Warranty: Limited five (5) year warranty

Listings: Certified to UL standards by ETL. Conforms to CSA standards as per ETL testing

Ordering Guide:

L - LUN - - - VR



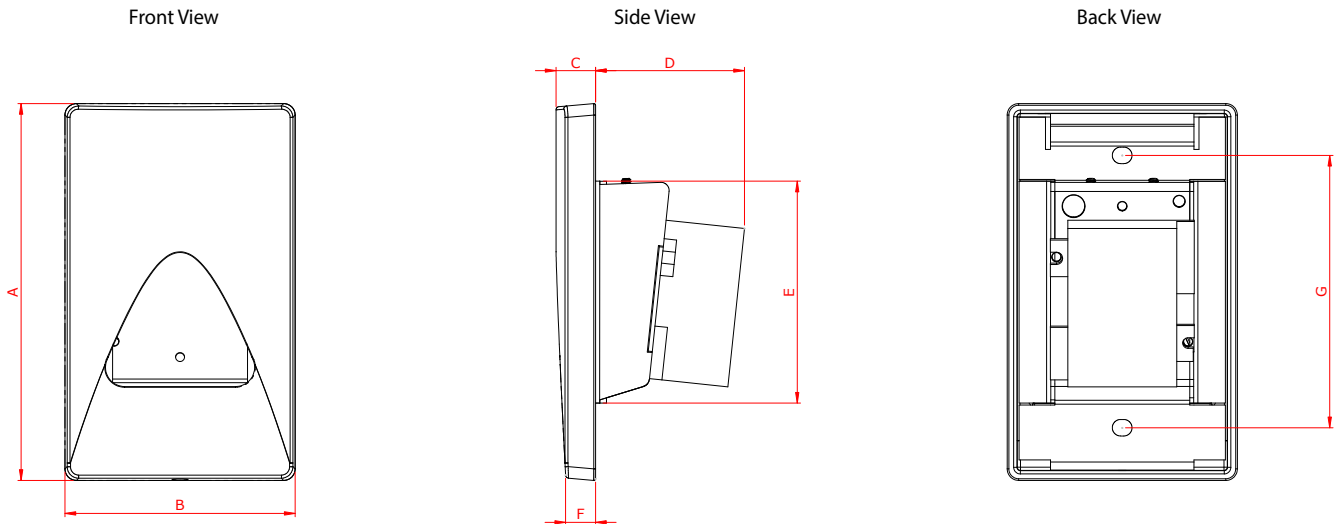
For Example: L-LUN-120-35K-01-VR

Lunar Series Night Light, 120 V, 3500 Kelvin White LED, Matte White Finish, Vandal Resistant

Ordering Information:

Series	Voltage		LED Lamp Type		Finish		Options	
L-LUN	120	120 V	27K	2700K White LED	01	Matte white	VR	Vandal resistant
	277	277 V	30K	3000K White LED	02	Matte silver		
			35K	3500K White LED	03	Custom color		
			40K	4000K White LED				
			AMB	Amber LED				
			BLU	Blue LED				

Dimensions:



Legend:

A	B	C	D	E	F	G
4.5" (114.3 mm)	2.75" (69.9 mm)	0.47" (12.0 mm)	1.75" (44.5 mm)	2.65" (67.3 mm)	0.35" (9.0 mm)	3.25" (82.5 mm)

NOTE:

Recommended wall cut-out is minimum of 3.2" x 2" (81.3 mm x 50.8 mm) and a maximum of 4" x 2.3" (101.6 mm x 58.4 mm)