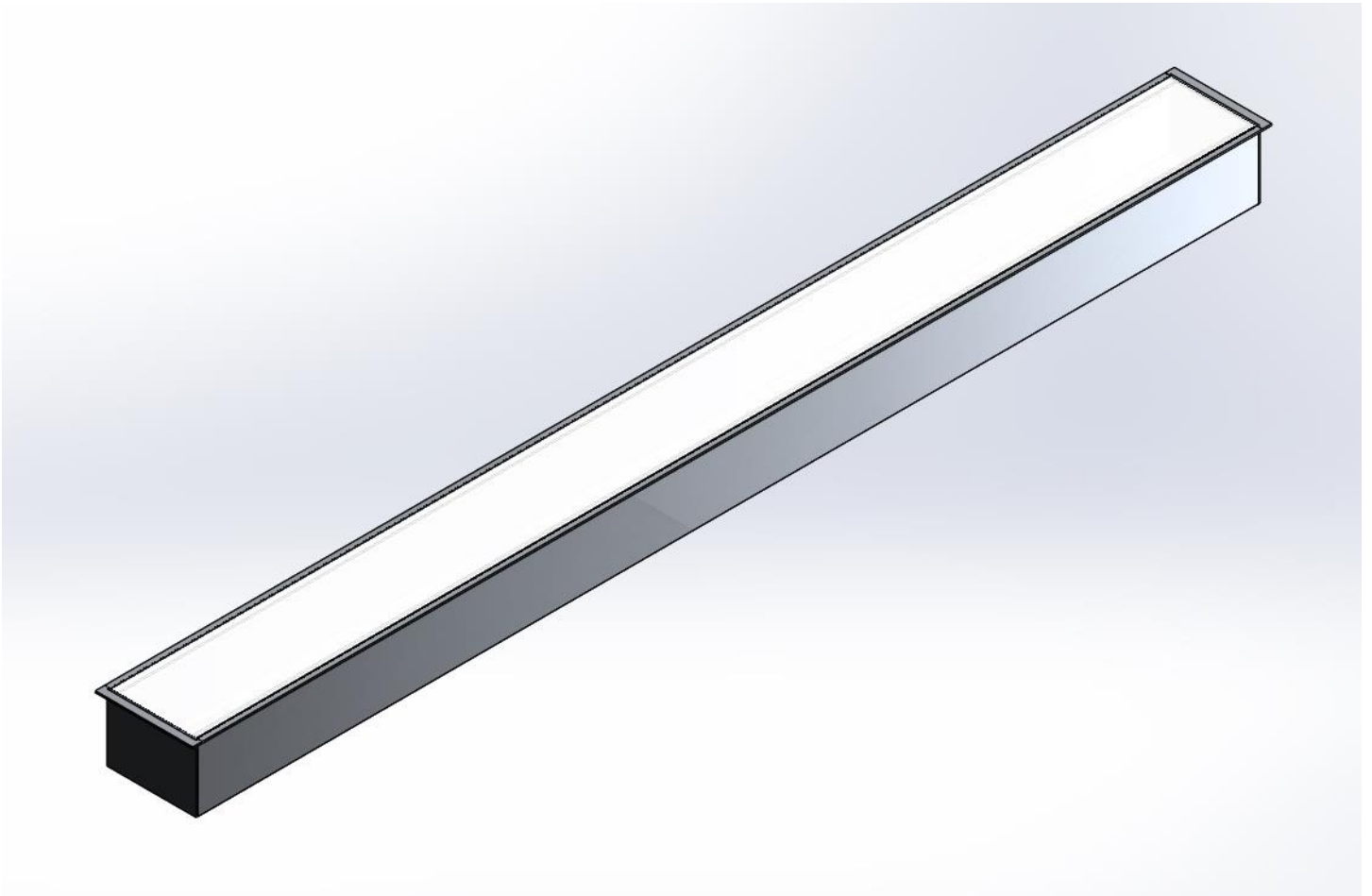


Installation Instructions

Linea LED Light

T Bar and Dry Wall



Amico

Contents

Introduction	3
Safety Instructions	3
Tools Required (Provided by Others)	3
Drawings and Dimensions	4
Installing the Linea LED Light	5
Aside: Continuous Mounting	7
Technical Data	8
Construction Material	8
Standard Specifications	8
Disinfecting, Cleaning, and Sterilization	9
Warranty Policy	10

Introduction

Congratulations and thank you for your purchase of the Amico Solar Series Linea LED light.

To ensure proper functionality and performance of the Linea Light, please read the following instructions very carefully before installing the fixture. Keeping safety in mind, please follow the safety instructions and requirements included in this document. The installation instructions provided are for Amico's standard products. Slight modifications to the installation may be required for custom configurations and wall conditions.

If you need information for further instructions on operation, maintenance, and/or descriptions of the product please feel free to contact Amico's Customer Service at: alt-customerservice@amico.com

For technical support please contact: alt-techsupport@amico.com

The product shipped to the job site may not be exactly as shown in the installation drawings.

To learn more about Amico's portfolio of healthcare lighting products, visit <https://www.amico.com/lights>

Safety Instructions

No modifications can be carried out by the end user. Doing so will void the warranty, ETL approval, and may cause severe risks.

Serviceable parts must be replaced with factory OEM parts.

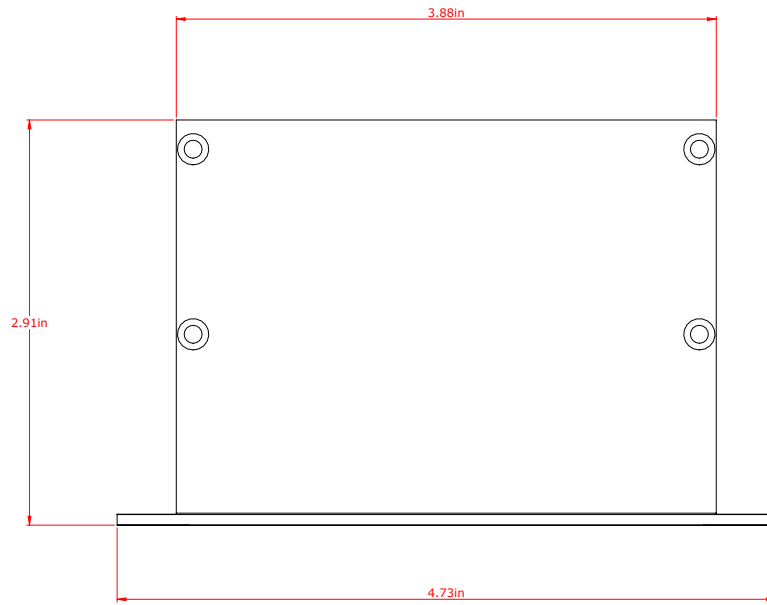
The user must comply with all building safety codes and disinfection requirements.

Fixture must be installed with the reading light (end of fixture) towards the wall on either side of the patient's bed.

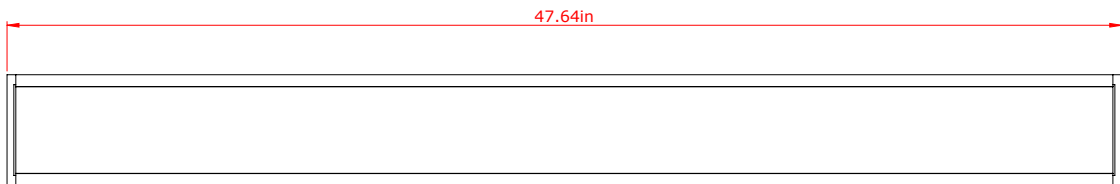
Tools Required (Provided by Others)

- Phillips head screw driver
- (Optional) Flathead Screw Driver

Drawings and Dimensions



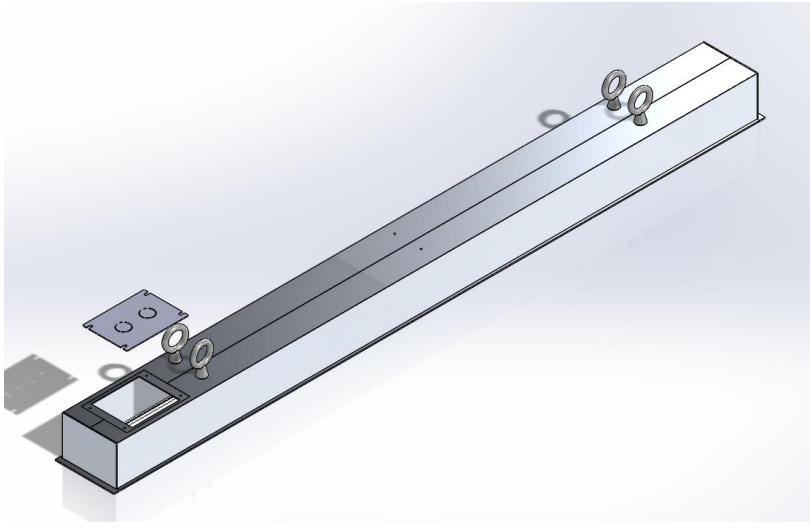
Grid



Length

Installing the Linea LED Light

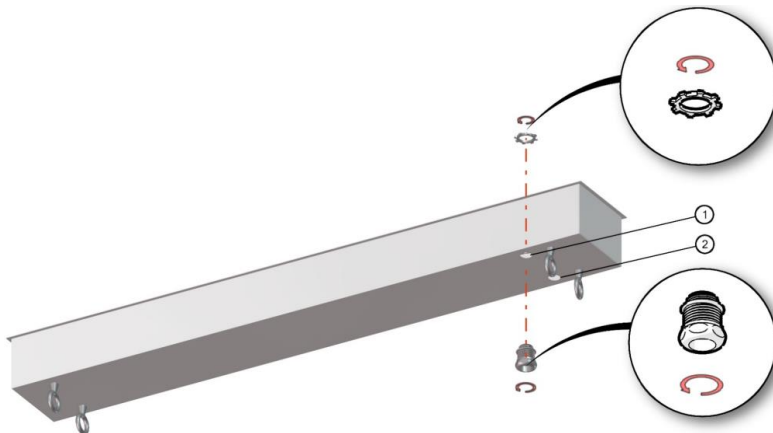
Step: 1



Remove the access panel by removing the 4 screws using Phillips head screw driver.

Note: Inside of the light fixture can be used as wiring compartment. There is separation between high and low voltage wires – quick disconnect wire connectors are used with high voltage wires.

Step: 2



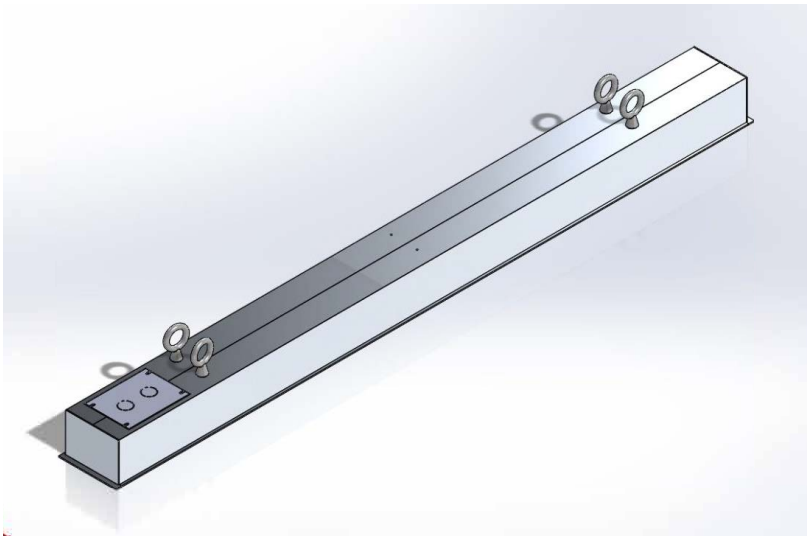
Attach conduit adaptors to both knockouts on the access panel.

Make wiring connections as per the wiring drawing provided, where applicable. Wires may temporarily be brought outside the fixture through the opening when making wiring connections.

Ensure that low and high voltage wires are feed through separate knockouts and conduits, where applicable. The number of wires may vary. Size conduits accordingly, and refer to the wiring diagram where applicable.

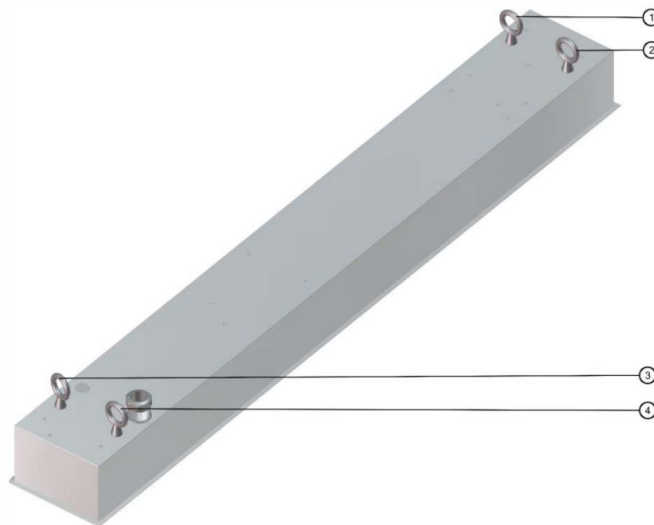
Installing the Linea LED Light

Step: 3



Re-assemble the access panel by screwing the 4 Philips head screws back into place.

Step: 4a T Bar



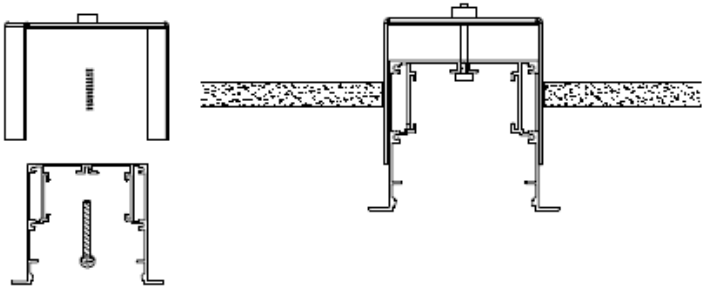
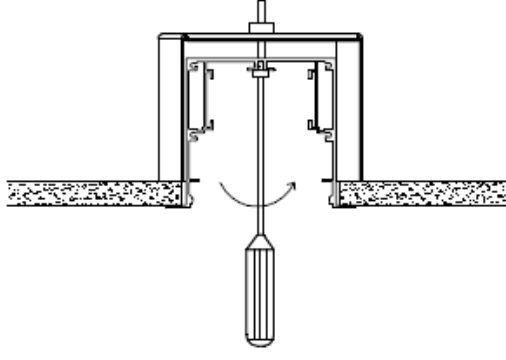
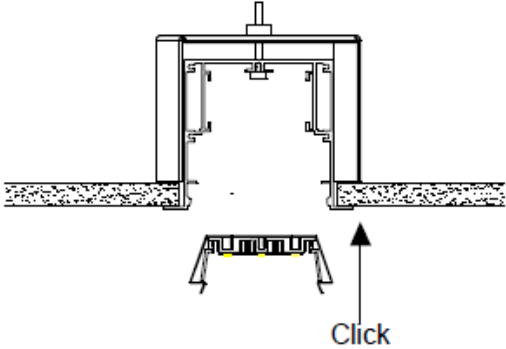
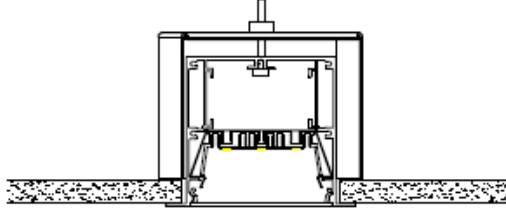
Fixture is designed for use with 1.00"/1.50" T bar grid systems with vertical grid T thickness of less than $\frac{1}{4}$ ", with a maximum height of 1.50".

Raise and position the fixture into the grid. Secure the fixture to the building support structure by attaching one end of the suspension wire to the 4 eye-bolts provided and the wrap the other end to the superstructure.

Note: Use 12 GA (0.1" Dia) splay wire (1) vertical and (2) diagonal to overhead support structure.

Connection to overhead structure by structural engineer of record.

Installing the Linea LED Light

<p>Step: 4b</p> <p>Hard Ceiling</p>	<p>Make a ceiling cut out of 47" x 4.25". Install the fixture as shown below.</p> 	<p>a. Remove the lens and LED Mounting Plate.</p> <p>Note: Do not damage the wires connected to the LED board at this step.</p>
		<p>b. Slide the fixture inside the cutout and use a Philips screw driver to rotate mounting bracket into position as shown. Tighten until the fixture is secured to the ceiling.</p>
		<p>c. Reinstall the LED Mounting Plate. Ensure that all the snap in spring clips click properly.</p>
		<p>d. Reinstall the lens.</p>

Aside: Continuous Mounting

Fixture may be joined to create longer, continuous assemblies. Joiner pieces will be provided when this is needed.

To join two fixtures, first remove one face plate from each fixture. Next, align fixtures length-wise, such that the open ends of the fixtures are placed end-to-end with one another. Finally, align the joiner pieces with the pre-drilled holes on each fixture and join the two fixtures using the provided screws.

Technical Data

Construction Material

- **Housing:** Marine grade aluminum extrusion
- **Finish:** Clear anodized finish
- **Lens:** One-piece continuous lens system, fully enclosed with frosted acrylic diffuser
- **Drivers:** High power factor constant current, 0.97 pf @ 120 V (Class 2, Class II)
- **Light Source:** Samsung LED mounted to aluminum core linear board

Standard Specifications

- **Voltage:** 120 - 277 Volts
- **Wattage:** Reading: 7 W, Ambient: 33 W, Exam: 40 W, Total: 80 W (Total Pair: 160 W)
- **Output:** Reading 450 lms, Ambient: 2,600 lms, Exam: 3,200 lms, Total: 6,250 lms (Total Pair: 12,500 lms)
- **Dimming Options:** 0-10 Volts, Standard 5% dimming; contact factory for 1% dimming, DALI options available
- **Color Quality:** Standard 80 CRI, contact factory for 90 CRI option
- **Color Temperature:** 3500K, 4000K (contact factory for additional options)
- **Life of LEDs:** L70 50,000 hours
- **Warranty:** Limited five (5) year warranty

Disinfecting, Cleaning, and Sterilization

NOTICE:

Damage due to improper cleaning.

- Do not use alcohol, solvent or cleaning agents containing chlorine or scouring agents.
- Damage to lens by concentrated disinfectant or solvent.
- Follow the manufacturers recommended mixing ratio.
- Use of incorrect cloths may scratch lens.

NOTICE:

A dirty lens will reduce the illuminating power.

- Clean lens regularly.
- Spray and wipe disinfection is permitted.
- Clean the lens with a leather cloth soaked in cleaner.
- Spray disinfectant in horizontal position.

NOTICE:

The external components of the light can be disinfected with the following diluted products:

- Lysoformin
- Dismozon
- Hexaquart plus
- Sagrotan – fast disinfecting cleaner

NOTICE:

The local government regulations for disinfection must also be observed in addition to these instructions.

Warranty Policy

Architectural Lighting Solutions (LightMaster, Lunar Series, Skyline Series, Solar Series, Solar Eclipse Series, Solar Duo Med Series, Solar Surgical, Behavioral Series)

Amico Lights Corporation warrants its products against defective materials and workmanship for twelve (12) months from the date of shipment. Within this period, Amico Lights Corporation will repair or replace any part on site or at the factory which is proven to be defective at Amico Lights Corporation's cost.

Furthermore, Amico Lights Corporation will warrant its material to be free from defect for an additional period of four (4) years (five [5] years from the date of shipment). Within this period, Amico Lights Corporation will replace any part at no charge, which is proven to be defective. Shipping and installation costs after the first twelve (12) months will be borne by the customer.

The warranty applies to normal usage and does not apply to any product that has been subject to alteration, abuse, negligence, or use (including voltage and/or current) other than that for which the product was designed.

Amico Lights Corporation shall not be liable for incidental or consequential damages resulting from the use of the equipment.

All claims for warranty must first be approved by Amico Lights Corporation. A valid Return Goods Authorization (RGA) number must be obtained from Amico Lights Corporation prior to commencement of any service work. Warranty work which has not been pre-authorized by Amico Lights Corporation will not be reimbursed.

Notes

www.amico.com

Amico Lights Corporation | 122-B East Beaver Creek Road, Richmond Hill, ON L4B 1G6, Canada
Toll Free Phone: 1.877.462.6426 | Toll Free Fax: 1.866.440.4986 | Tel: 905.764.0800 | Fax: 905.764.0862
Email: info@amico.com | www.amico.com

ALT-IM-LINEA-LED-LIGHT 07.07.2023

