

# LightMaster Series

## Digital Multifunction Keypad

### Description:

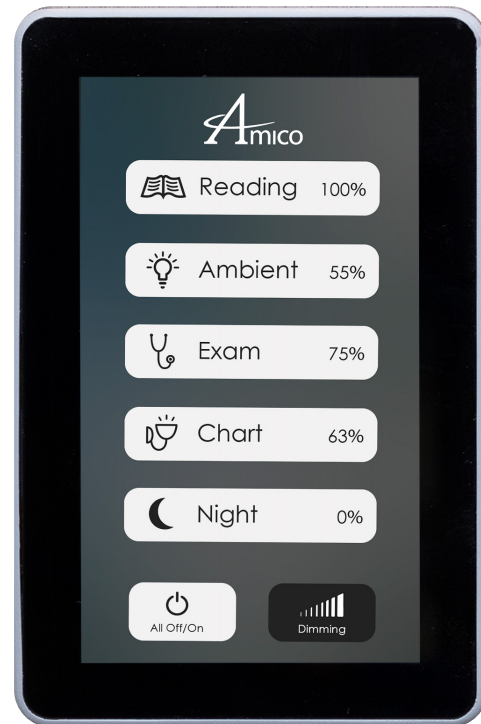
Amico's Digital LightMaster controller offers a modern and intuitive control system that is incredibly user-friendly. Engineered to maximize clinical workflow efficiencies and increase patient satisfaction, our LightMaster control system controls up to five lighting functions on one single-gang keypad. Patients and clinicians can easily control lighting functions on the backlit, capacitive touch LCD display. For user safety, the LightMaster Control System is a low voltage device with a sealed and gasketed faceplate for easy cleaning and infection control. Pair the LightMaster controller with our Amico-specific Low Voltage Controller, and we will pre-wire and pre-install all the lighting functions for a quick and straightforward installation.

### Features of the Keypad:

- 4.3" IPS LCD display provides clear visuals for ease of use
- Controls up to five (5) light functions in the patient room
- 0 - 10 V dimming capability for all lighting functions
- Keypads are low voltage for patient safety
- Compact design fits into a single gang opening
- Fully sealed and gasketed faceplate for ease of cleaning and infection control
- Compatible with all nurse call products
- Backlit LCD display to better identify lighting functions
- Adjustable display brightness to meet the needs of the patient and clinicians

### Features of the Master Controller:

- Capable of individual control of up to five (5) circuit loads
- Universal input voltage of 120 – 277 Volts
- Terminal blocks allow for ease of connection
- Compact design fits inside most light fixtures
- Powered by Class 2 power supply



### Specifications:

**Input Voltage:** 120 - 277 Volts, 50/60Hz

**Output Voltage:** 120 - 277 Volts, 50/60Hz Maximum Load: 2.5 amps Resistive, 1.8 amps Ballast at 120 Volts, 0.975 amps Resistive, 1.0 amp Ballast at 277 Volts

**Low Voltage Circuit:** 12VDC, 300 mA

**Operating Temperature:** 32 - 176°F / 0 - 80°C

**Master Control Dimensions:** 7" (L) x 2" (W) x 1.1" (H)

**Power Supply Dimensions:** 5.6" (L) x 1.6" (W) x 1.3" (H)

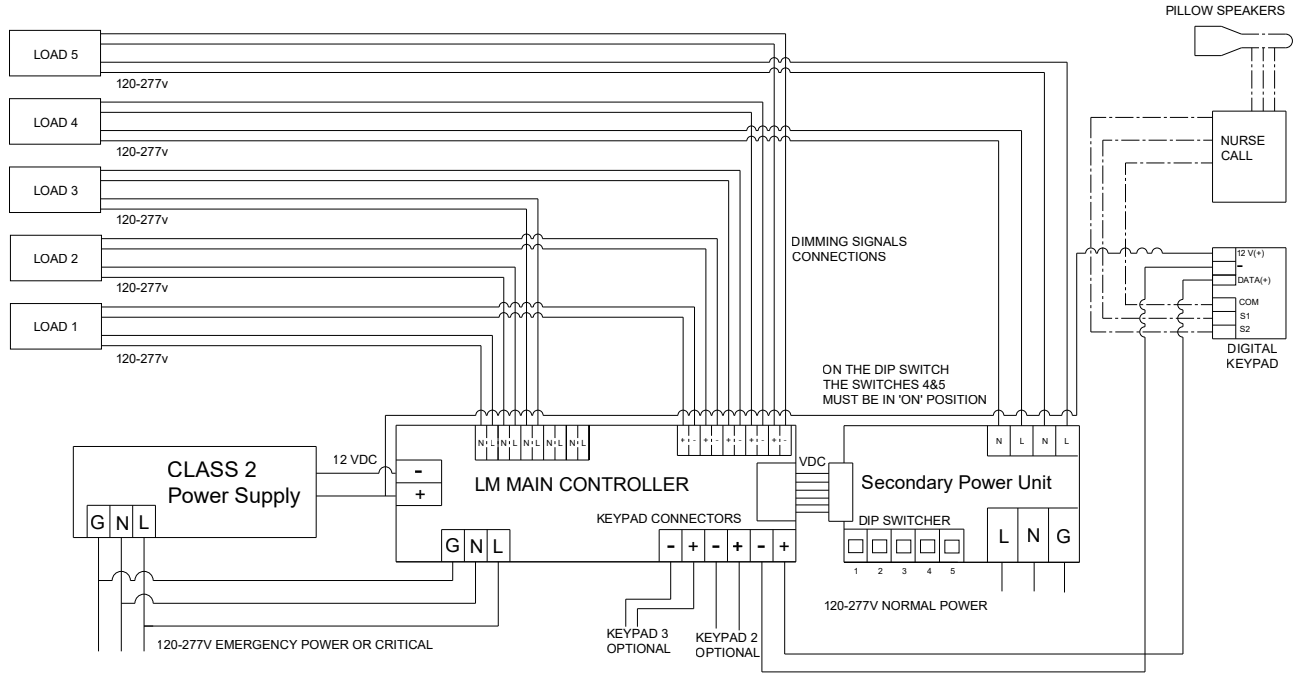
**Keypad Dimensions:** 4.64" (L) x 3.03" (W), fits seamlessly in a single-gang electrical box

**Warranty:** Limited five (5) year warranty

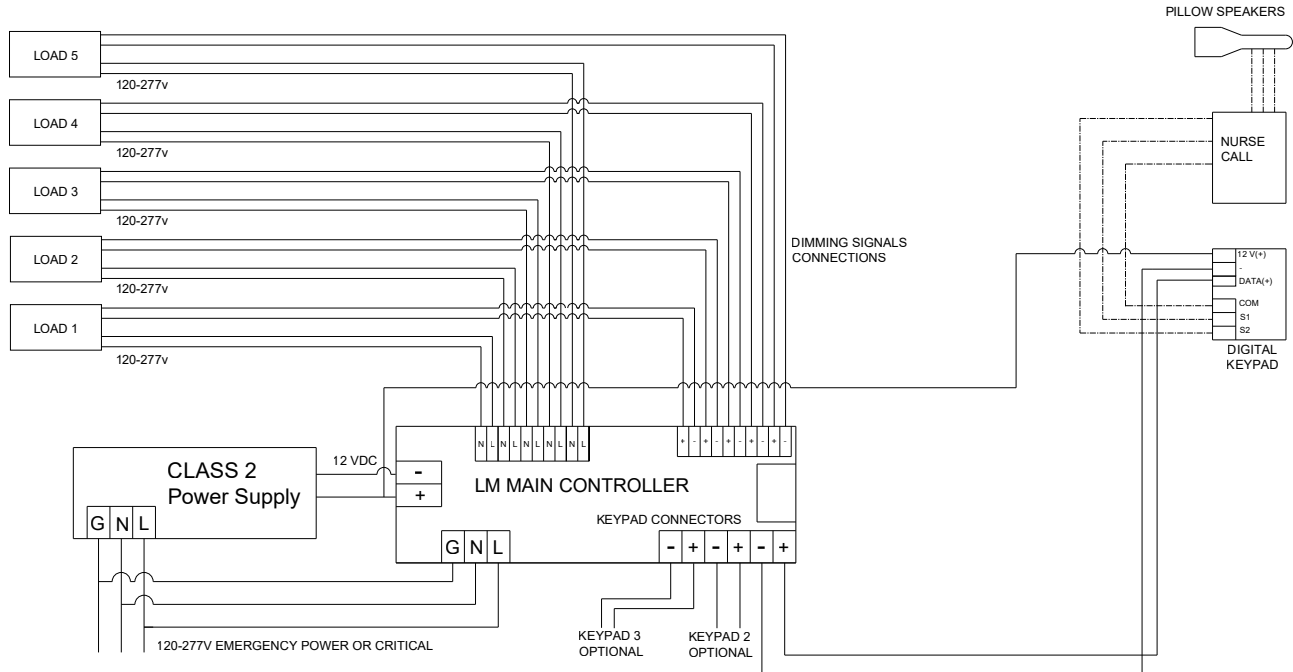
# LightMaster Series

## Digital Multifunction Keypad

### Wiring Diagram - LightMaster Digital Multifunction Keypad With Secondary Power



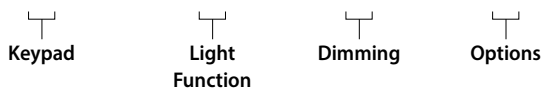
### Wiring Diagram - LightMaster Digital Multifunction Keypad Without Secondary Power



# LightMaster Series Digital Multifunction Keypad

## Ordering Guide:

**L - LM3 -**



## For Example: L-LM3-DDX-4C-D-SU

LightMaster Digital Multifunction Keypad, two keypads, four function switch (reading, ambient, exam, chart), dimming, secondary power unit

## Ordering Information:

Series	Keypad	Light Functions	Dimming	Options
L-LM3	<b>DXX</b> One keypad	<b>3Z</b> Three function switch (reading, ambient, exam)	<b>D</b> Dimming	<b>SU</b> Secondary power unit
	<b>DDX</b> Two keypads	<b>5B</b> Five function switch (reading, ambient, exam, night, chart)	<b>X</b> Non-dimming	<b>XX</b> No extras
	<b>DDD</b> Three keypads	<b>4N</b> Four function switch (reading, ambient, exam, night light)		
		<b>4C</b> Four function switch (reading, ambient, exam, chart)		
		<b>CK</b> Custom configurations		

## Dimensions:

