

Operating and Maintenance Instructions  
Amico Cleanroom Universal  
Installation Instructions



# Contents

Introduction Notes	3
Warnings	3
Hard Ceiling Flange	4
Hard Ceiling Flange Installation	5-7
Warranty	8

# Introduction Notes

- Installation should be completed by an individual familiar with the construction and operation of the luminaire.
- Installation of luminaire must be in accordance with nation and local building and electrical codes.
- Carefully read and follow all warnings and instructions before installing or servicing the luminaire.
- Instructions do not cover all details and all possible product configurations
- Do not restrict luminaire ventilation.
- Ensure LED luminaire is not covered with material that will prevent convection or conduction cooling.
- Do not exceed luminaire's maximum ambient temperature.
- Ensure LED luminaire has the correct polarity before installation.
- Based on maximum voltage restrictions for class 2 circuits in Canadian Electrical Code, the output cannot be accessible. This product has accessible output terminals. This product complies with this requirement since the installation instruction requires installation in Restricted Access Area.

## Warnings



### **ELECTRIC SHOCK**

- Disconnect or turn off power before installing or servicing luminaire.
- All electrical wiring to be completed by a qualified licensed electrician
- in accordance with local and National/Canadian Electrical Code.
- Ensure supply voltage corresponds with the correct ballast/driver voltage.
- Avoid exposing wiring to metal edges and sharp objects.
- Ensure that the luminaire is properly grounded to prevent electric hazards.



### **FIRE**

- Keep flammable and combustible materials away from the light source and/or lens.
- Use correctly rated supply conductors as indicated by product labeling.



### **BURN**

- Allow luminaire to cool before handling luminaire.
- Use correctly rated supply conductors as indicated by product labeling.



### **PERSONAL INJURY**

- Wear safety glasses and gloves when handling the luminaire to avoid physical injury.
- Avoid direct eye contact with light source.
- Always support the weight of the luminaire. Use correctly rated supply conductors as indicated by product labeling.

# Hard Ceiling Flange

Use 1-5/8 Unistrut (not included) or equivalent support beams on all four sides above the opening edge. The support structure should be suitably rigid and secured to support the weight of the luminaire. (Minimum thickness of ceiling and framing is 1 1/2"; maximum is 2 3/4").

Only qualified electricians should make the electrical connections and should ensure that all Building and Safety code requirements are observed. CRU & MD1U when supplied with white + red or white + green LEDs, are to be separately switched externally. Also they are NOT to be operated simultaneously.

**NOTE:** The models requires an accurate cutout of the luminaire opening. It is essential that the opening room side edge be flat to ensure the integrity of the seal.

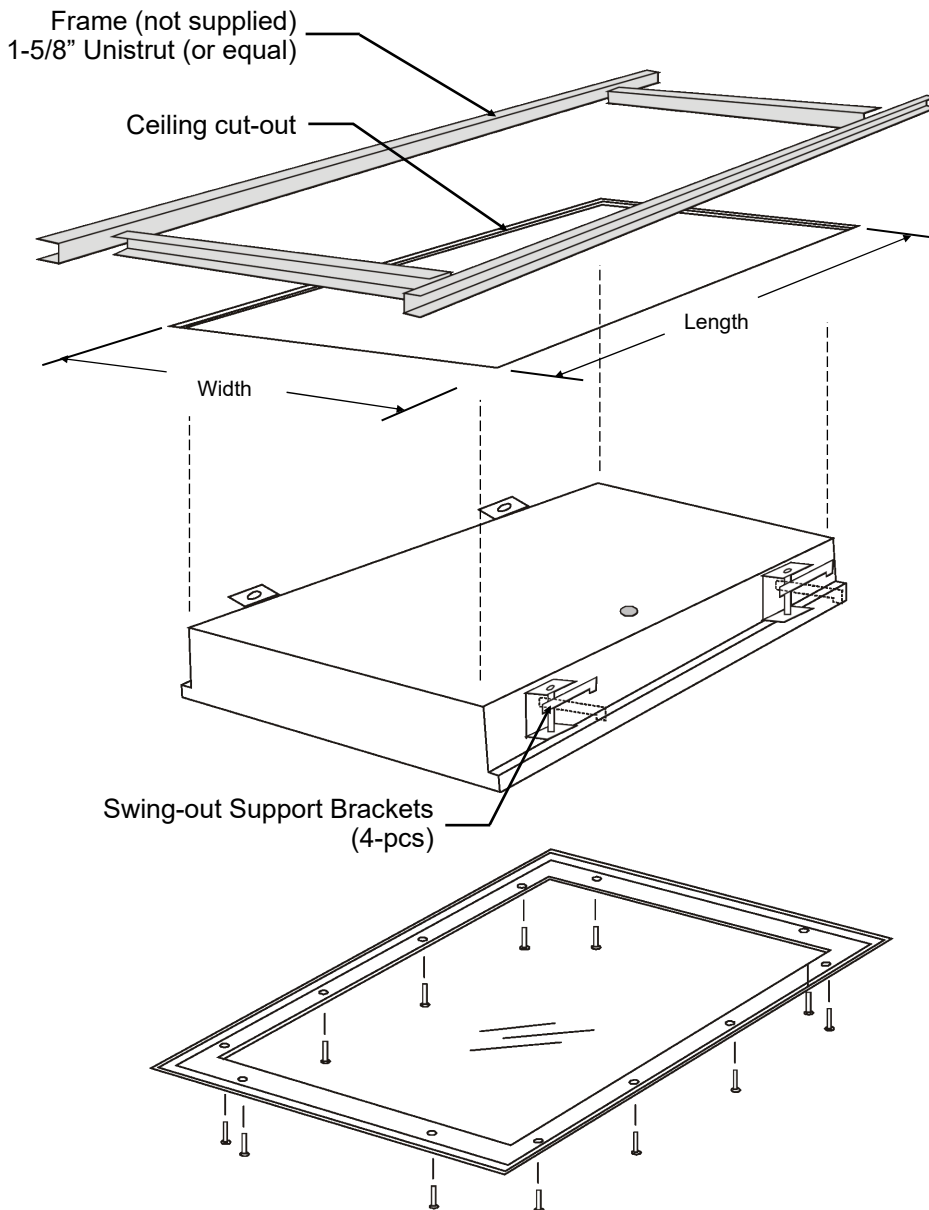
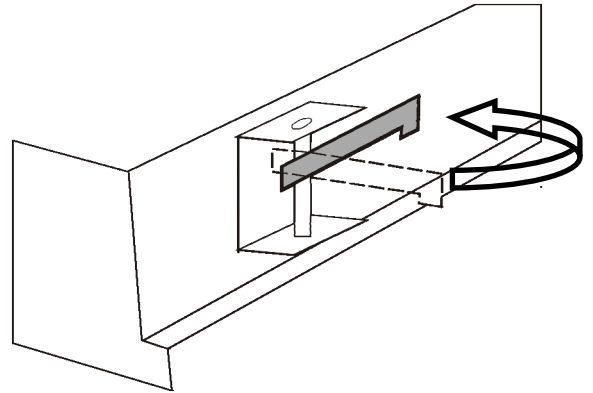
## Mounting:

1. Disconnect electrical power intended to be connected to the luminaire.
2. Locate and cut the required opening in the ceiling.
3. Install and secure the required support structure.
4. Remove the lens and door assembly by removing all twelve self-sealing screws from the luminaire.
5. Insert the luminaire into the ceiling then extend the swing-out brackets above the support structure. Tighten all swingout
6. brackets to ensure a tight and continuous seal on the room side of the opening.
7. Remove the cover and make the electrical connections to the power supply. Do not remove or use a different power
8. cord fitting than the one supplied.
9. Replace the cover and install suitable lamps (not supplied).
10. Replace the lens and door assembly with the original self-sealing screws. Tighten to a maximum torque of 10 in-lbs.
11. Ensure that the door gasket makes a continuous seal to the ceiling surface.
12. Apply power.

# Hard Ceiling Flange Installation

## Recessed Grid (T-Bar)

1. Fixture is designed for use with 1"/1 1/2" T-bar grid systems with vertical grid T thickness of less than 1/4" with a maximum height of 1 1/2". Grid systems can be installed standard 12, 24 or 48" centerline spacing of grid.
2. Fixture housing lays into grid. Ensure four (4) swing arms are in the stowed position as shown. If securing fixture to the superstructure with hanger wire (by others) loop wire through holes on swing arm attach bracket. Position door frame into housing opening and start all screws by hand. Tighten all screws to seal door frame to fixture.



**Ceiling Cut-out Dimensions**

Size	Width	Length
1 x 2	10-7/8"	22-7/8"
1 x 3	10-7/8"	34-7/8"
1 x 4	10-7/8"	46-7/8"
2 x 2	22-7/8"	22-7/8"
2 x 4	22-7/8"	46-7/8"

# Hard Ceiling Flange Installation

## SAF - Model - Not for use with T-Bar ceiling

**NOTE:** The SAF model requires an accurate cutout of the luminaire opening. It is essential that the opening room side edge be flat +/- 1/32 inch to ensure the integrity of the seal.

Use 1-5/8 Unistrut (not included) or equivalent support beams on all four sides above the opening edge. The support structure should be suitably rigid and secured to support the weight of the luminaire.

Only qualified electricians should make the electrical connections and should ensure that all Building and Safety code requirements are observed.

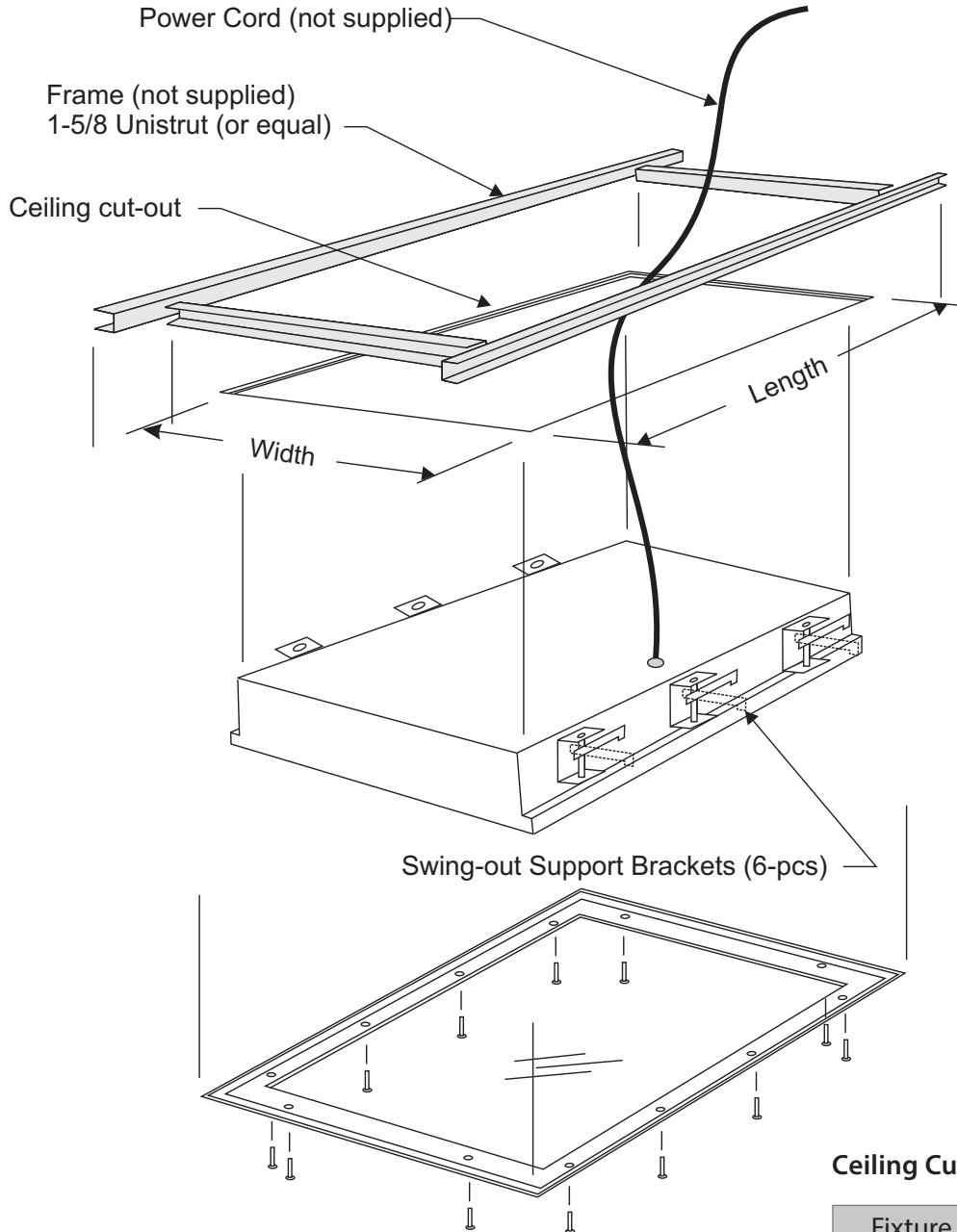
### Mounting:

1. Disconnect electrical power intended to be connected to the luminaire.
2. Locate and cut the required opening in the ceiling.
3. Install and secure the required support structure.
4. Remove the lens and door assembly by removing all twelve selfsealing screws from the luminaire.
5. Insert the luminaire into the ceiling then extend the swing-out brackets above the support structure. Tighten all swing-out brackets to ensure a tight and continuous seal on the room side of the opening.
6. Remove the ballast cover and make the electrical connections to the power supply. Do not remove or use a different power cord fitting than the one supplied.
7. Replace the ballast cover and install suitable lamps (not supplied).
8. Replace the lens and door assembly with the original self-sealing screws. Tighten to a maximum torque of 10 in-lbs. Ensure that the door gasket makes a continuous seal to the ceiling surface.
9. Apply power.

See Diagram on page 7.

# Hard Ceiling Flange Installation

SAF - Model - Not for use with T-Bar ceiling



**Ceiling Cut-out Dimensions**

Fixture Size	Width (+1/4in / -0)	Length (+1/4in / -0)
1 x 4	10-7/8"	22-7/8"
2 x 2	10-7/8"	34-7/8"
2 x 4	10-7/8"	46-7/8"

[www.amico.com](http://www.amico.com)

Amico Lights Corporation | 122-B East Beaver Creek Road, Richmond Hill, ON L4B 1G6, Canada  
Toll Free Phone: 1.877.462.6426 | Toll Free Fax: 1.866.440.4986 | Tel: 905.764.0800 | Fax: 905.764.0862  
Email: [alt-sales@amico.com](mailto:alt-sales@amico.com) | [www.amico.com](http://www.amico.com)