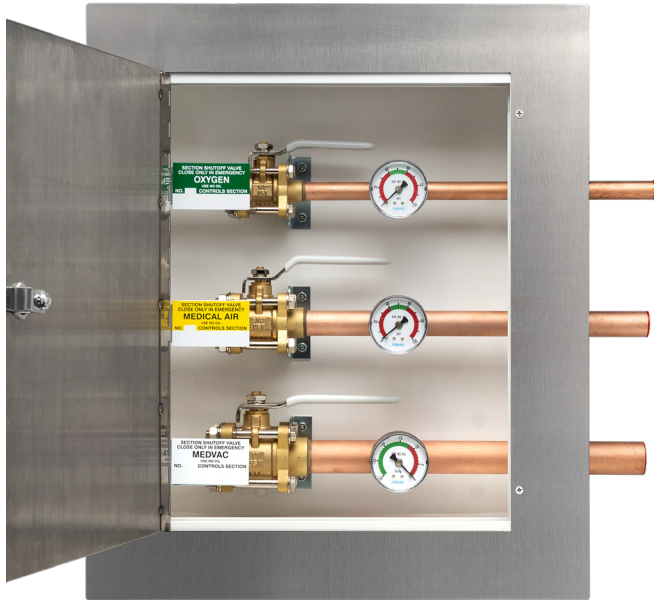


Security Indicator Panel Box NFPA



General Specifications:

Security Zone Indicator Panel Boxes shall be an Amico Alert-1 series.

Each recessed security zone indicator panel box shall consist of the following components: A steel box which can house one to seven zone shut-offs with tube extensions, a security door with lock and key. Gauges and one strip of medical gas labels are included.

The security indicator panel box shall be constructed of 18 gauge steel complete with a baked white enamel finish. Affixed to the opposite sides of the box will be two adjustable steel brackets for the purpose of mounting the box to the structural support. The steel brackets shall accommodate various finished wall thicknesses between 3/8" (9.5 mm) and 1 3/16" (30 mm) and shall be field adjustable.

The door shall be constructed of stainless steel and shall be mounted to the back box assembly by standard #6 * 3/8" tapping screws as provided. Access to the zone shut-offs shall be by turning the key to unlock position and swinging the door open. The security door can be closed and relocked only after the shut-off handles have been returned to the open position.

The zone shut-offs shall be 3 piece, ball-type design with a brass forging body and a chrome plated, brass ball for sizes 1/2" to 3". Ball seats, stem seals and stem washer shall be reinforced Teflon (PTFE), with Viton stem and flange O-rings. A blow-out proof stem shall be used and the zone shut-off shall have a maximum pressure rating of 600 psi (4,137 kPa). All zone shut-offs materials shall be compatible with medical gases or vacuum service to 29" Hg (98.205 kPa). Zone shut-offs shall be operated by a lever-type handle requiring only a quarter turn from a fully open position to a fully closed position. All zone shut-offs shall be equipped with type "K" washed and degreased copper pipe stub extensions of sufficient length to protrude beyond the sides of the box. Each shut-off shall be supplied with an identification bracket which shall be riveted to the security zone indicator panel box for the purpose of applying an approved medical gas identification label. A package of labels shall be supplied with each Security Zone Indicator Panel Box assembly for application by the installer.

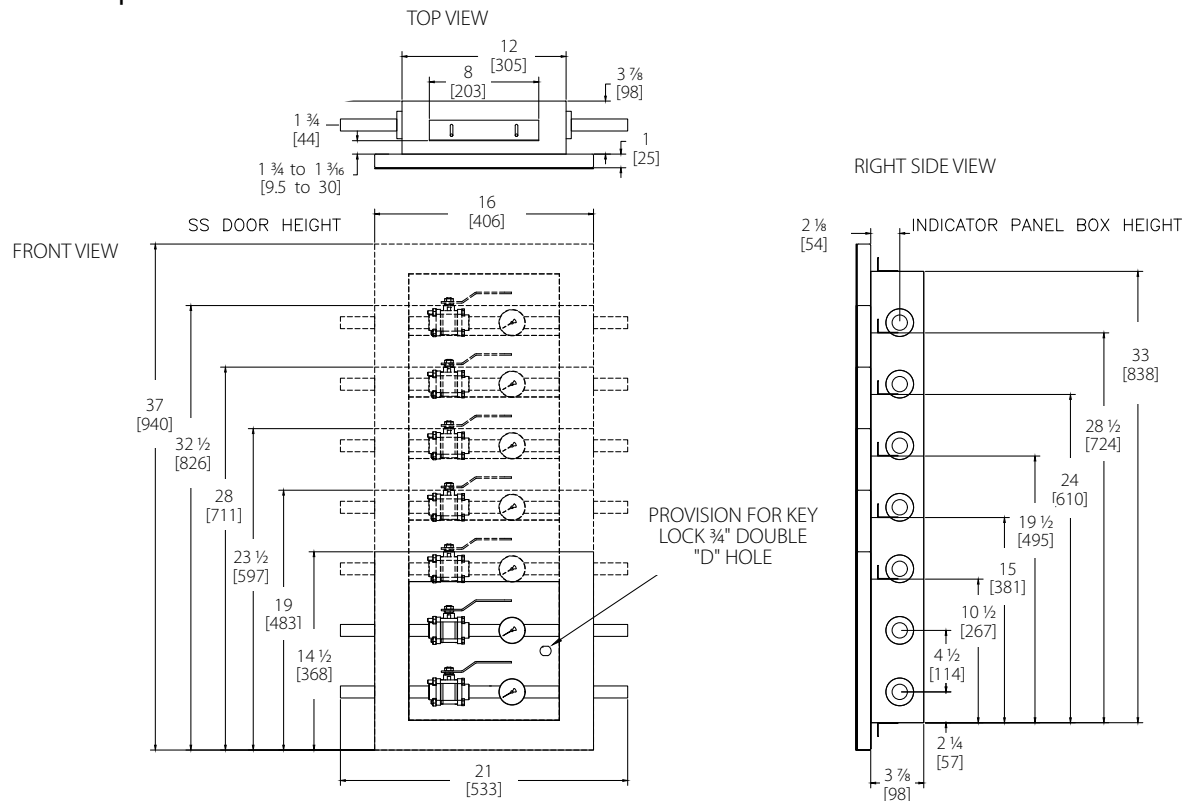
Amico products comply with NFPA 99

Project

Technical Specifications

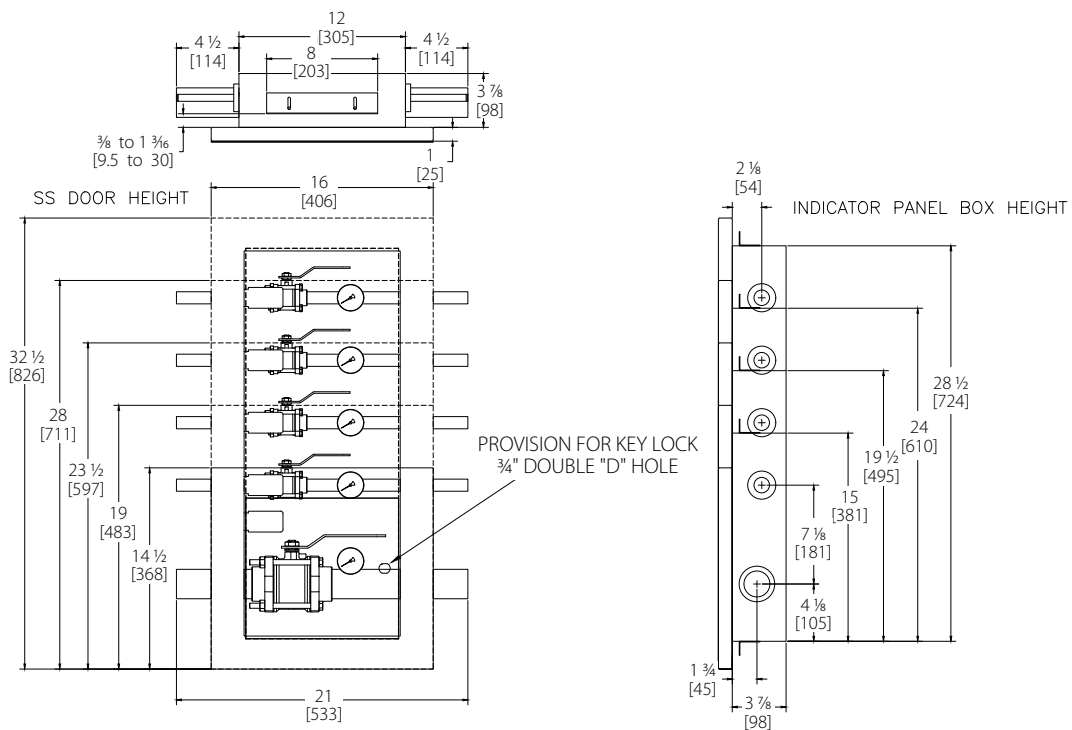
1/2" to 1 1/2" Multiple Valves

Inch
[mm]



2" Multiple Valves

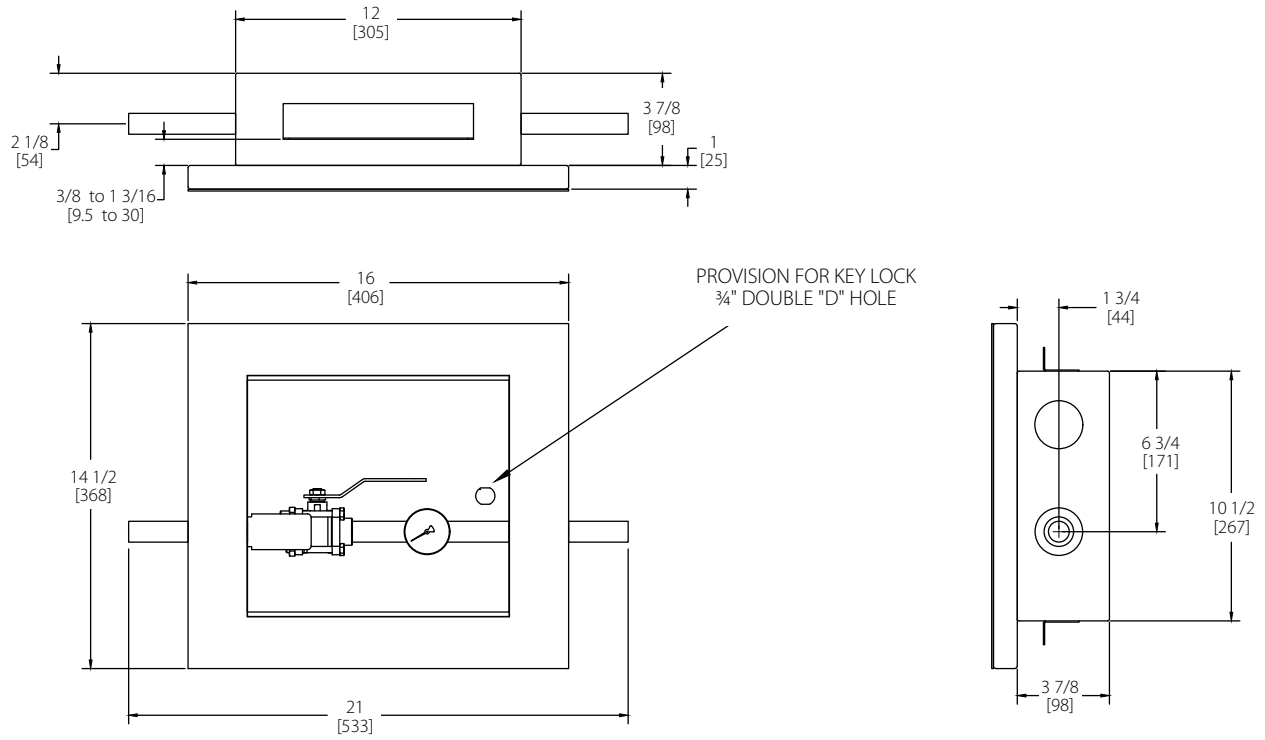
Inch
[mm]



Technical Specifications

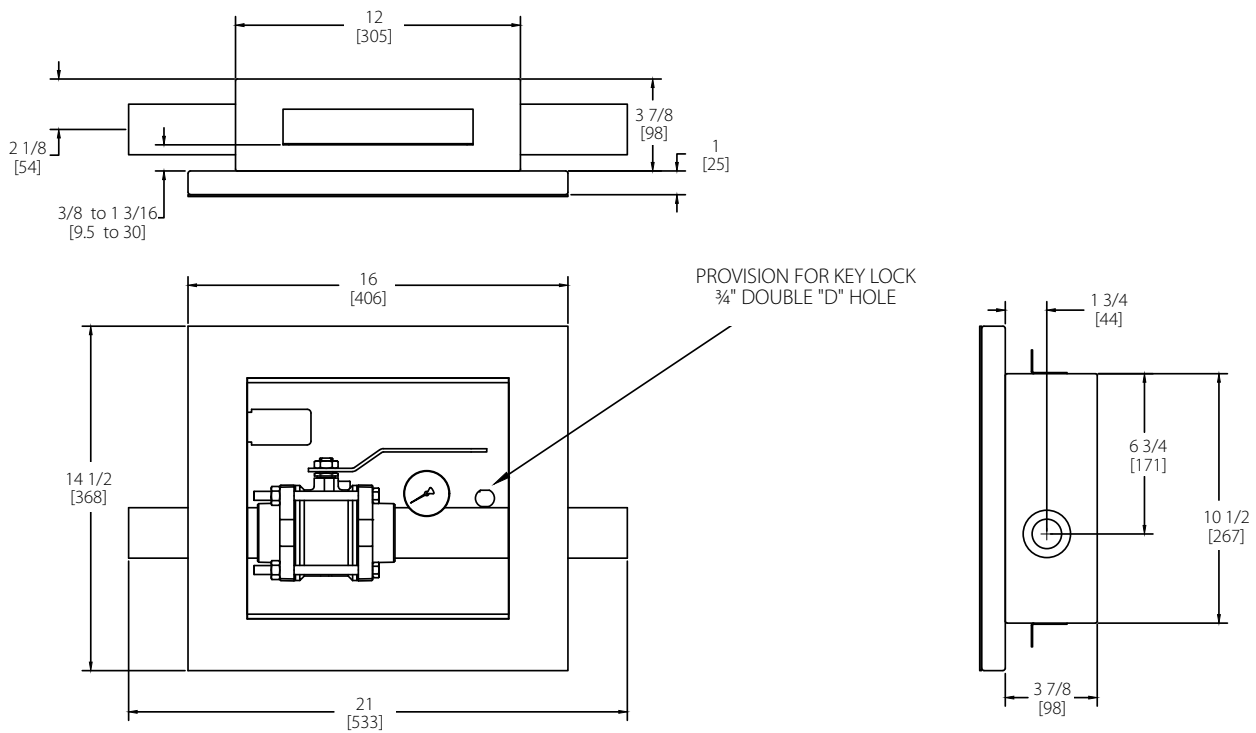
1/2" to 1 1/2" Single Valve

Inch
[mm]



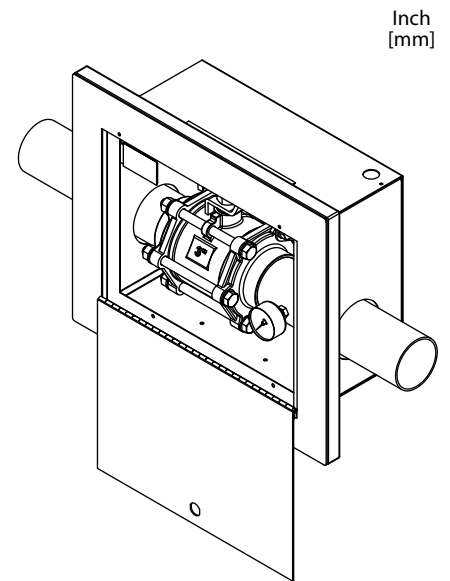
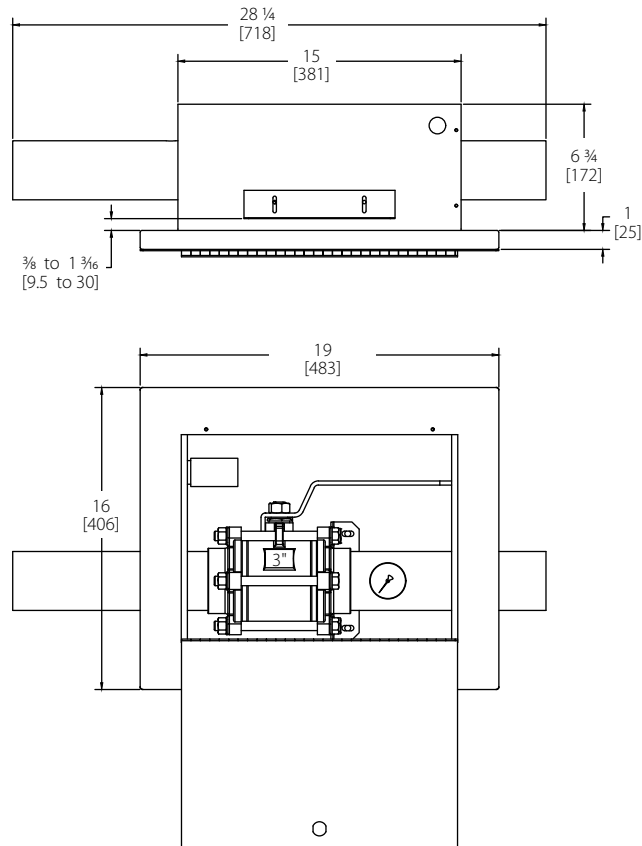
2" Single Valve

Inch
[mm]



Technical Specifications

2 1/2" to 3" Single Valve



Inch
[mm]

Model Numbers

ZIL-SXXXXXXX

The Letter "L" Defines the Language:

English (NFPA) = U
Spanish (NFPA) = S

Security = S

Replace "X" with the Size Required:

1/2"	=	1
3/4"	=	2
1"	=	3
1 1/4"	=	4
1 1/2"	=	5
2"	=	6
Only available as single:		
2 1/2"	=	7
3"	=	8

Example:

Triple box with gauge; English (NFPA); 1/2", 3/4" and 1 1/4" zone shut-off; Monitoring = **ZIU-M124**

NOTES:

All zone shut-offs are full port.

Shut-offs 1 1/2" and 2" will have an empty space above the shut-off.

Only one 2" per assembly and shall only be positioned at the bottom of the box.

The 2 1/2" and 3" assembly shall only be available as a single Security Indicator Panel Box.

Example:

A box with a 1/2", 3/4" and 1 1/2" shut-off will require a 4 hole box not a 3 hole box.

The 2" shut-off will be assembled in a 3 7/8" deep box and shall accommodate up to a maximum of 5 gases.

The 2" shut-off shall be positioned on the bottom of the assembly. Refer to 2" Security Zone Indicator Box Assembly drawing on page 2.