

Universal Remote Alarm Buzzer



M2-REM-AL-WALL



M2-REM-AL-SURF



M2-REM-AL-POW

General Specifications:

The Amico Universal Remote Alarm Buzzer will provide the user with the ability to receive an audible alarm, and a visual alarm from a remote dry contact signal. If an alarm condition occurs, the "RED" alarm LED shall flash and the audible alarm will sound. Pushing the "ALARM SILENCE" button will cancel the audible alarm, but the unit will remain in the visual alarm condition until the problem is rectified.

The Amico M2-REM-AL-POW includes a built in power supply that accepts 110 VAC to 240 VAC (50 to 60 Hz) as the input voltage. The output voltage is 12 VDC.

The M2-REM-AL-WALL and M2-REM-AL-SURF, if used with an Amico Alert-2 Manifold or Alarm, does not require a power supply if the distance between the Universal Remote Buzzer and the Manifold or Alarm is less than 50 ft. Using M2-REM-AL-POW is also an option. If the distance is greater than 50 ft, an external power supply (A3P-POWER-V4) or a 12 VDC voltage is required.

Features:

The Amico Remote Alarm Buzzer can be used in the following separate functions:

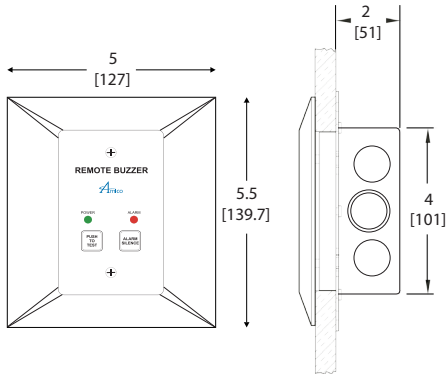
- A device sending a dry contact signal
- An Amico Alert-2 area or master alarm
- An Alert-2 manifold bank switch-over occurs

Project

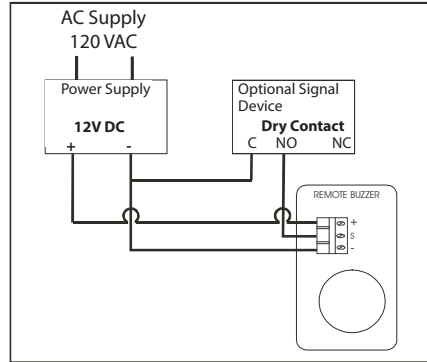
Technical Specifications

M2-REM-AL-WALL

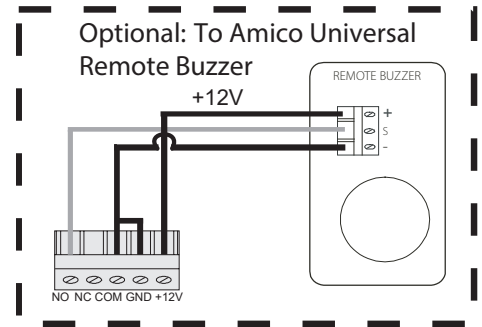
Inch
[mm]



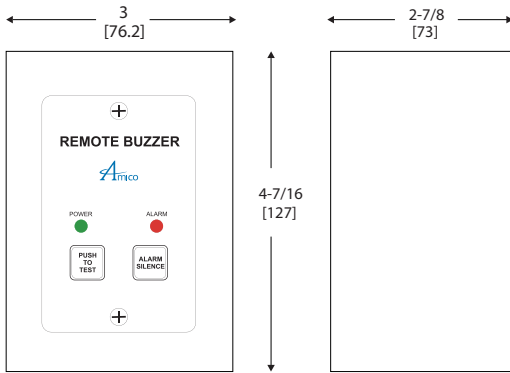
Wiring Schematic



Annunciator Wiring Schematic



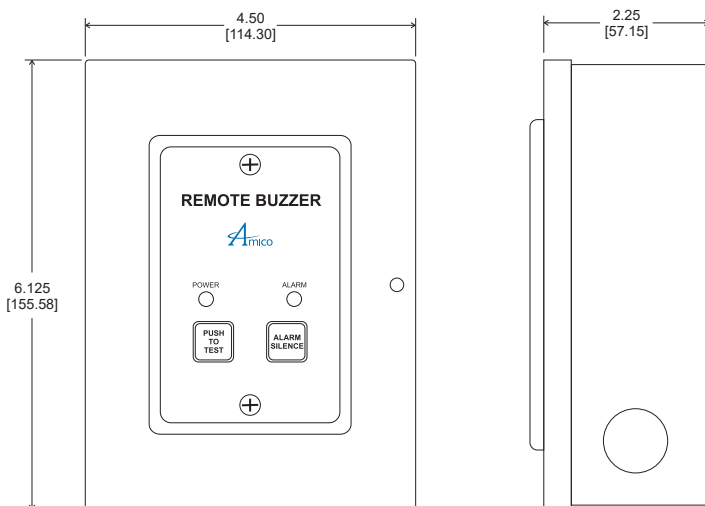
M2-REM-AL-SURF



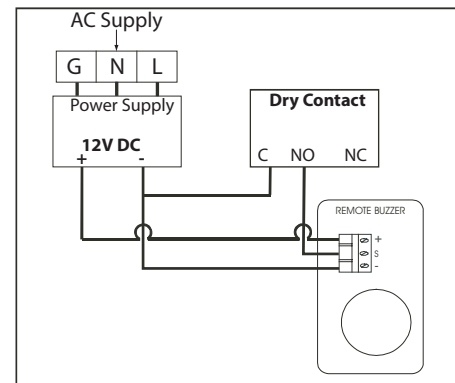
Note: Power supply not included with wall and surface mount

M2-REM-AL-POW

Inch
[mm]



Wiring Schematic



Note: Power supply included

NOTE: Amico recommends max. 50 ft. to power up buzzer from any Amico devices (alarm/manifold). More than 50 ft., M2-REM-AL-POW includes power supply.

Amico Corporation | 85 Fulton Way, Richmond Hill, ON L4B 2N4, Canada | 600 Prime Place, Hauppauge, NY 11788, USA
Toll Free Phone: 1.877.462.6426 | Toll Free Fax: 1.866.440.4986 | Tel: 905.764.0800 | Fax: 905.764.0862