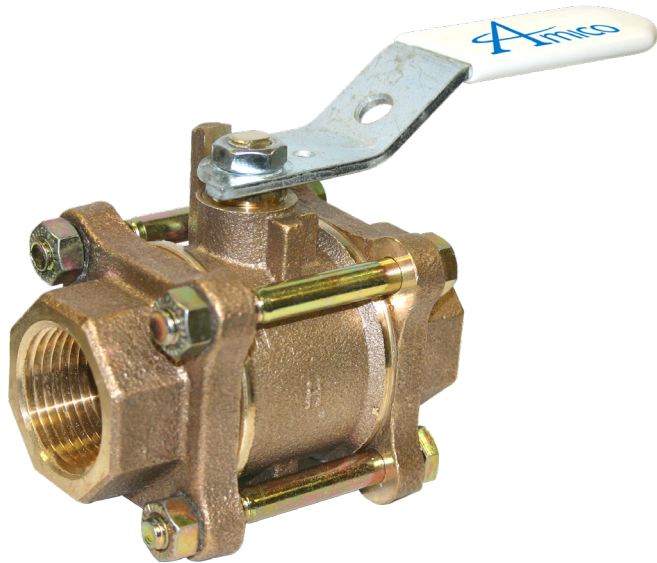


Zone Valves

Threaded Ball Valve



General Specifications:

All section shut-off and main line ball valves shall be an Amico Alert-1 Series.

The Valve shall be 3-piece ball-type design with a bronze body and chrome plated brass ball for sizes ½" to 2". Seats shall be Teflon (TFE) and seals Viton. A blow-out proof stem shall be used and the valve shall have a minimum pressure rating of 600 psi [4,137 kPa].

Valves shall be operated by a lever-type handle requiring only a quarter turn from a fully open position to a fully closed position.

Valves shall be designed in such a manner that they can be "swung-out" during installation so as to prevent damage due to heat transfer during the brazing operation.

Each valve assembly shall be washed and degreased for medical gas service. The valve shall be supplied in a sealed plastic bag to prevent contamination prior to installation.

The 3-piece ball valve is UL Listed.

Amico products comply with NFPA-99, CSA Z7396.1-06 and CSA Z305.1.

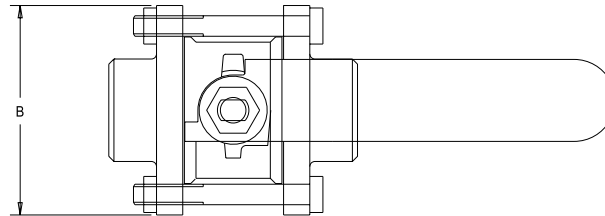
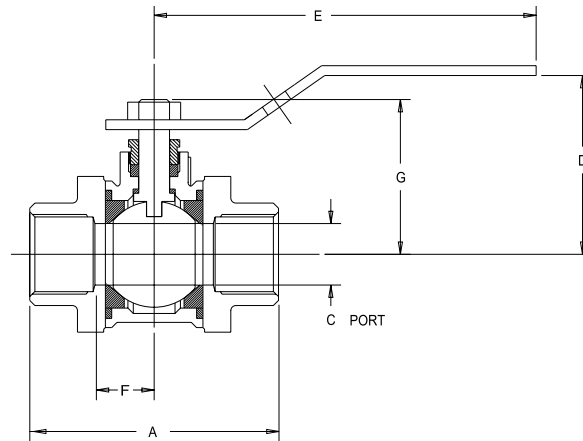
Features:

- 3-piece design for ease of maintenance
- 100% Hydrostatic tested
- Cleaned for medical gas service
- Blow-out proof stem
- Available in sizes ½" to 2"
- Full-port design
- Available in non-locking only

Project



Technical Specifications



Model Numbers

Model #	Size	A	B	C	D	E	F	G	Bolts
V-X-VLV-NIB-05T	½ (13)	2.28 (58)	1.81 (46)	0.50 (13)	1.69 (43)	3.90 (99)	0.53 (14)	1.47 (37)	4
V-X-VLV-NIB-07T	¾ (19)	2.97 (75)	1.94 (49)	0.75 (19)	2.00 (51)	4.66 (118)	0.72 (18)	1.82 (46)	4
V-X-VLV-NIB-10T	1 (25)	3.67 (93)	2.50 (64)	1.00 (25)	2.25 (57)	4.66 (118)	0.92 (23)	2.00 (51)	4
V-X-VLV-NIB-12T	1-¼ (32)	3.97 (101)	2.69 (68)	1.25 (32)	2.75 (70)	6.69 (170)	0.98 (25)	2.61 (66)	4
V-X-VLV-NIB-15T	1-½ (38)	4.57 (116)	3.00 (76)	1.50 (38)	2.97 (75)	6.69 (170)	1.19 (30)	2.83 (72)	4
V-X-VLV-NIB-20T	2 (51)	5.97 (152)	4.00 (102)	2.00 (51)	3.63 (92)	6.69 (170)	1.54 (39)	3.15 (80)	4