

General Specifications:

The medical gas Retro-Fit outlet shall be an Amico Alert-1 series.

Outlets shall be equipped with a primary and secondary check for positive pressure for gas services. The secondary check valve shall be rated at a maximum of 200 psi [1,379 kPa] in the event the primary check valve is removed for maintenance. Outlet bodies shall be gas-specific by indexing each gas service to a gas-specific single pin indexing arrangement on the respective identification module.

A large, color-coded front plate shall be used for ease of gas identification and aesthetic appeal.

A one piece filler frame and chrome trim plate shall frame the outlet.

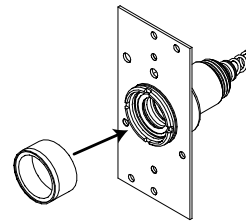
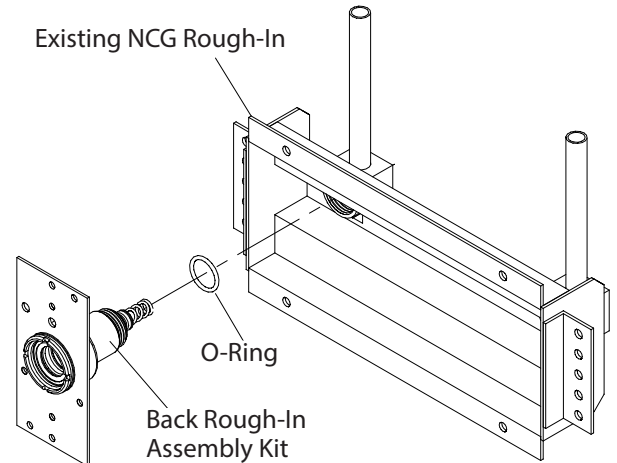
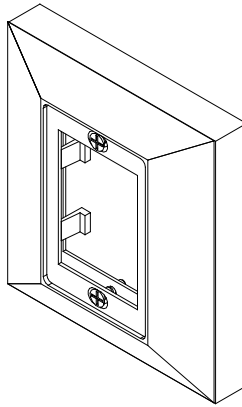
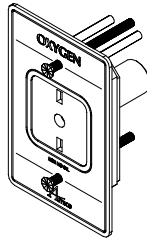
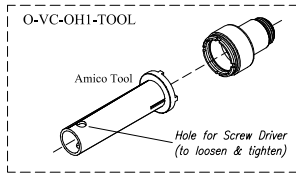
Amico products comply with NFPA 99.

Features:

- Flow rate exceeds the requirements of NFPA and CSA
- 100% Pressure testing of each outlet and cleaned for medical gas service
- Indexed to eliminate interchangeability of gas services
- Universal rough-in assembly to accept Quick Disconnect or DISS front adapters (Can be interchanged at any time)

Technical Specifications

Weight: 1.349 kg
[2.974 lbs]



IMPORTANT NOTE:

Due to unknown factors of the existing equipment, projects requiring Retro-Fit Conversions must be fully investigated by the installer.

It is the responsibility of the installer to determine if the Retro-Fit will function correctly and if additional components are required. Amico is not responsible for any additional components required.

Optional:

If the latch valve is not able to engage secondary check due to wall thickness, insert brass ring into rough-in conversion barrel.

Model Numbers

(Complete Conversion Kit)

O-NCG-XX-L-X-W

The "W" defines the Frame Width:

3 = 3.25"

5 = 5.0"

The "X" defines the Gas:

O = Oxygen

A = Medical Air

2 = Nitrous Oxide

N = Nitrogen*

C = Carbon Dioxide**

V = MedVac

W = Waste Anesthetic Gas Disposal (NFPA)

AG = Anesthetic Gas Scavenging System (CSA)

* Available in DISS connection type only

** Available in Ohmeda, Chemetron and DISS connection types only

The "XX" defines the Connection Type:

CH = Chemetron (Quick Disconnect)

DI = DISS (Diameter Index Safety System)

PB = Puritan Bennett (Quick Disconnect)

QD = Ohmeda (Quick Connect)

The "L" defines the Language:

U = English (NFPA) Oxy, Air, Vac and WAG only

E = English (CSA/ISO)