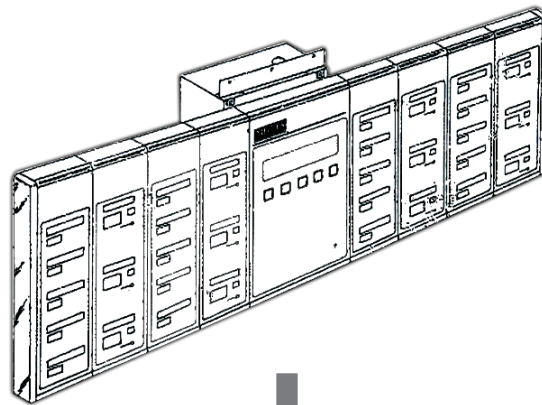


Retro-Fit Manual v1.2

MedæS Integrated Alarm



Product Specifications

The Amico Retro-fit Alarm will allow an existing Medæx integrated alarm to be replaced, without moving the existing back box and pipe-stubs.

The LCD filler frame enables the Amico Alert-3 LCD alarm front assembly to sit on the wall of the existing alarm panel box. The filler frame acts like a spacer between the Medæx integrated alarm box and the front assembly. Please make sure that the power source at the breaker panel is turned off before replacing the power supply. The gas supply may also be required to be shut off.

Installation Instructions

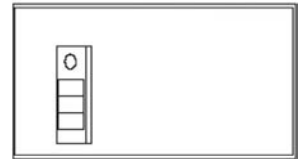
Remove the front frame and the display modules from the back box. Remove all internal components of the integrated alarm (mother board, power supply, sensors and all wiring).



Ensure that the back box is clear of all screws, studs, stand-offs and insert tabs. Bend the lower front lip of the alarm box. Ensure that the lip is flat.

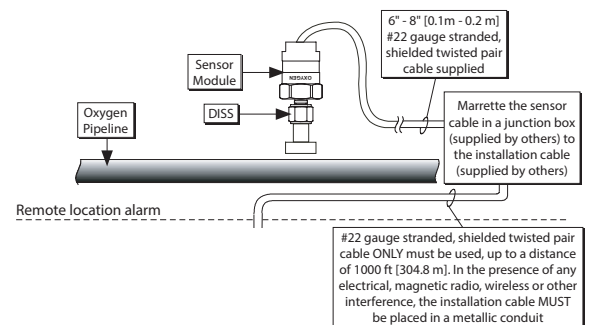


Add the power supply to the far left corner of the back box assembly. Use 4 tapping screws to hold power supply into box. Use tapping screws for grounding wires. Please note that tapping screws, or any other screws, are not supplied by Amico.



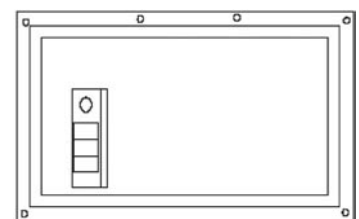
Remove the DISS fitting from the sensors that are mounted remotely.

Connect the Amico Alert-3 sensor, which contains a DISS fitting (nut and nipple).



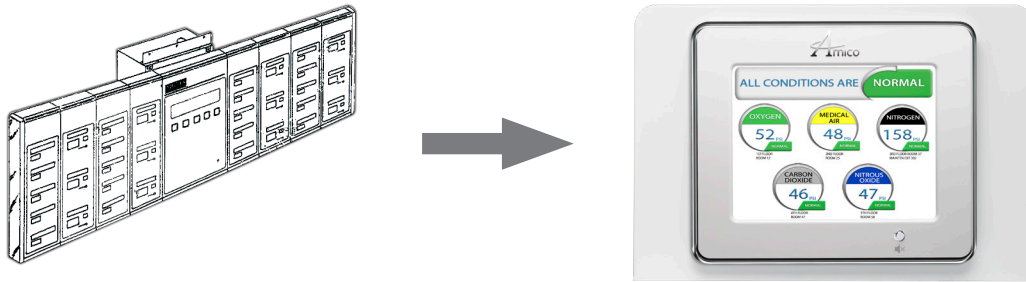
Attach the Amico filler box to the wall surface. Ensure that the box on the wall is in the center of the filler box.

Install the front assembly and follow the "Installation & Operation Manual of the Alert-3 Alarm" which is also supplied with the Retro-Fit alarm.



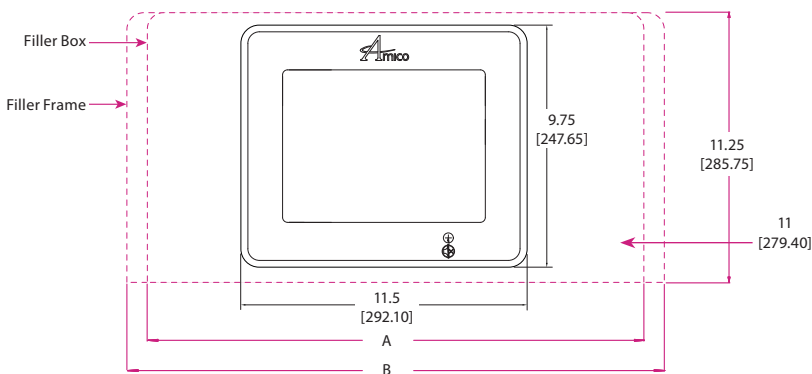
Installation Instructions

A complete alarm assembly conversion from Madaes to Amico.

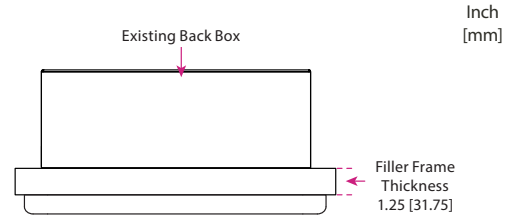


Product Dimensions

Front View

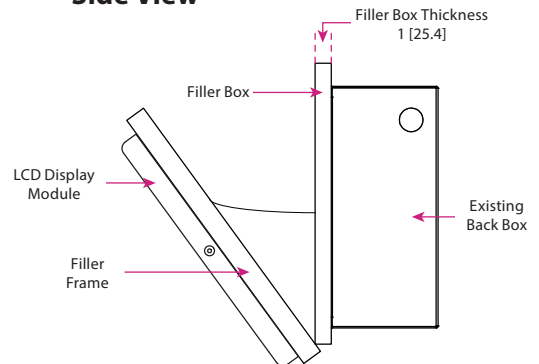


Top View



Inch
[mm]

Side View



Number of Display Modules (existing)	A (Filler Box)	B (Filler Frame)	Number of Gangs	Trim Plate Height
From 1 to 2 modules	12.75 (324)	N/A	3	2.125 (54)
From 1 to 3 modules	16 (406)	16.25 (413)	4	2.125 (54)
From 1 to 4 modules	19.3 (490)	19.56 (497)	5	2.125 (54)
From 1 to 6 modules	26 (660)	26.25 (667)	7	2.125 (54)

NOTES:

Standard height for the Trim Plate is 2.125" (54 mm) and the width is the same as Column A (Filler Box)

Filler Frame Part Numbers

A3P-LCD-FILLER-3	Alert-3 LCD Conversion Alarm Filler Frame 3-Station
A3P-LCD-FILLER-4	Alert-3 LCD Conversion Alarm Filler Frame 4-Station
A3P-LCD-FILLER-5	Alert-3 LCD Conversion Alarm Filler Frame 5-Station
A3P-LCD-FILLER-7	Alert-3 LCD Conversion Alarm Filler Frame 7-Station

Trim Plates

A3P-CONKIT-GANG-3
A3P-CONKIT-GANG-4
A3P-CONKIT-GANG-5
A3P-CONKIT-GANG-7

NOTES:

- Alert-2 Sensor Modules are not compatible with the Alert-3 LCD Alarm.
- An LCD filler frame is required if the existing alarm width is more than 10" (254 mm).

www.amico.com

Amico Corporation | 85 Fulton Way, Richmond Hill, ON L4B 2N4, Canada
71 East Industry Court, Deer Park, NY 11729, USA
Toll Free Tel: 1.877.462.6426 | Tel: 905.764.0800 | Fax: 905.764.0862
Email: info@amico.com | www.amico.com