

Wall Gauge



General Specifications:

Gauge Wall Assembly shall be manufactured with a 7-3/4" [197 mm] length type "K" 1/2" [12.7 mm] outside diameter (3/8" nominal) size copper inlet pipe stub, which is silver brazed to the outlet body. The body shall be of 1-5/16" [33 mm] diameter, one piece brass construction. Gauge wall assembly with a secondary check valve and the secondary check valve shall be rated at a maximum of 200 psi [1,379 kPa] in the event the gauge assembly is removed for maintenance. Outlet bodies shall be gas specific by indexing each gas service to a gas specific dual pin indexing arrangement on the respective identification module.

A large, color coded front plate shall be used for ease of gas identification and aesthetic appeal.

A one piece chromed fascia plate shall frame the outlet. With the back rough-in mounted the outlet shall adjust from 3/8" [10 mm] to 1" [25 mm] variation in wall thickness.

The gauge wall assemblies shall include a specific 1.6 mm [16 ga.] steel mounting plate designed to permit on-site ganging of multiple outlets, in any order, on 5" [127 mm] spacing.

All gauge wall assemblies shall be cleaned and degreased for medical gas service, factory assembled and tested.

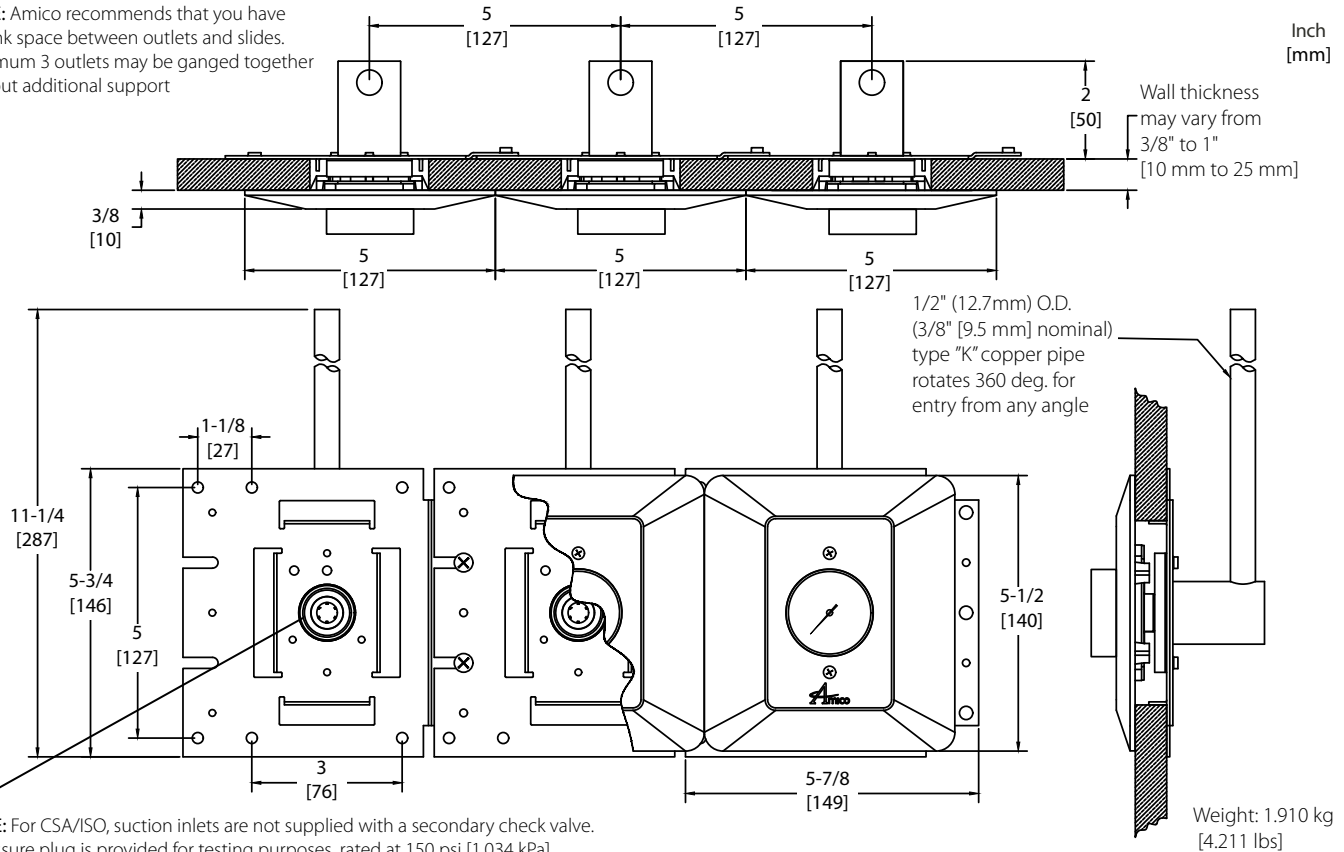
Features:

- 100% pressure testing of each outlet and cleaned for medical gas service
- Indexed to eliminate interchangeability of gas services
- Up to 1" [25 mm] wall thickness adjustment
- 360° swivel pipe for easy installation

Project

Technical Specifications

NOTE: Amico recommends that you have a blank space between outlets and slides. Maximum 3 outlets may be ganged together without additional support



NOTE: For CSA/ISO, suction inlets are not supplied with a secondary check valve. A pressure plug is provided for testing purposes, rated at 150 psi [1,034 kPa].

Model Numbers

The Letter "L" Defines the Language

| | | |
|---|---|----|
| English (NFPA) Oxy, Air, Vac and WAG only | = | U |
| English (CSA/ISO) | = | E |
| French (CSA/ISO) | = | F |
| Spanish (NFPA) | = | SU |
| Spanish (CSA/ISO) | = | S |

O-GAWAL-L-XXX

The Letters "XXX" Define the Type of Gas:

| | | |
|---------------------|---|-----|
| Oxygen | = | OXY |
| Medical Air | = | AIR |
| Nitrous Oxide | = | N2O |
| Carbon Dioxide | = | CO2 |
| MedVac ¹ | = | VAC |
| Nitrogen | = | NIT |

Example: English NFPA - Oxygen = **O-GAWAL-U-OXY**

Distributed By:

