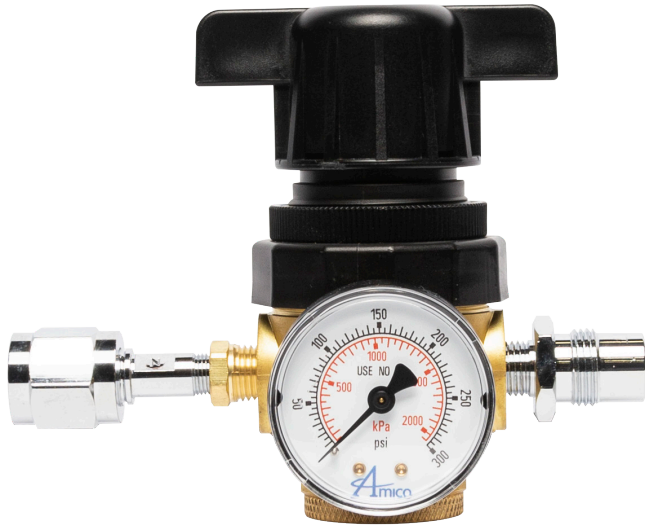
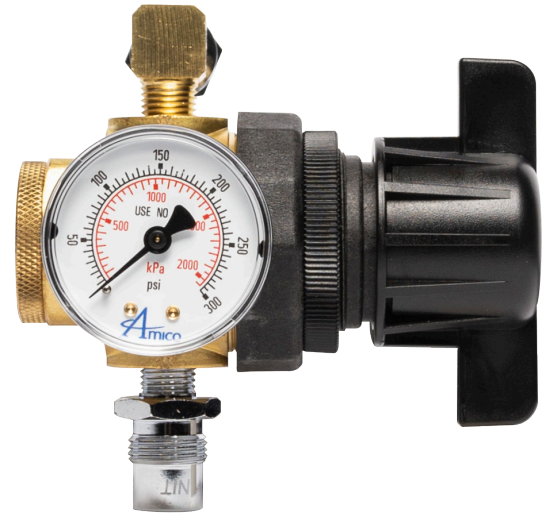


General Purpose Regulator Assembly



Horizontal Orientation



Vertical Orientation

Features:

- Gauge Port (2): 1/4" (6.35 mm)
- Port Threads: 1/4" (6.35 mm), 1/2" (12.7 mm)
- Temperature Rating: 40° F to 125° F (4.4° C to 52° C)
- Flow: 1/4" (6.35 mm) 80 SCFM
- Capacity: Inlet - 250 psi [1,723 kPa]
Outlet - 0-150 psi [0-1,034.21 kPa]
- Adjusting Knob: Acetal
- Body: Brass
- Bottom Plug: Brass
- Spring Case: Acetal
- Self-relieving type pressure regulator
- 1-1/2" (38.1mm) diameter, 0 to 300 psig pressure gauge

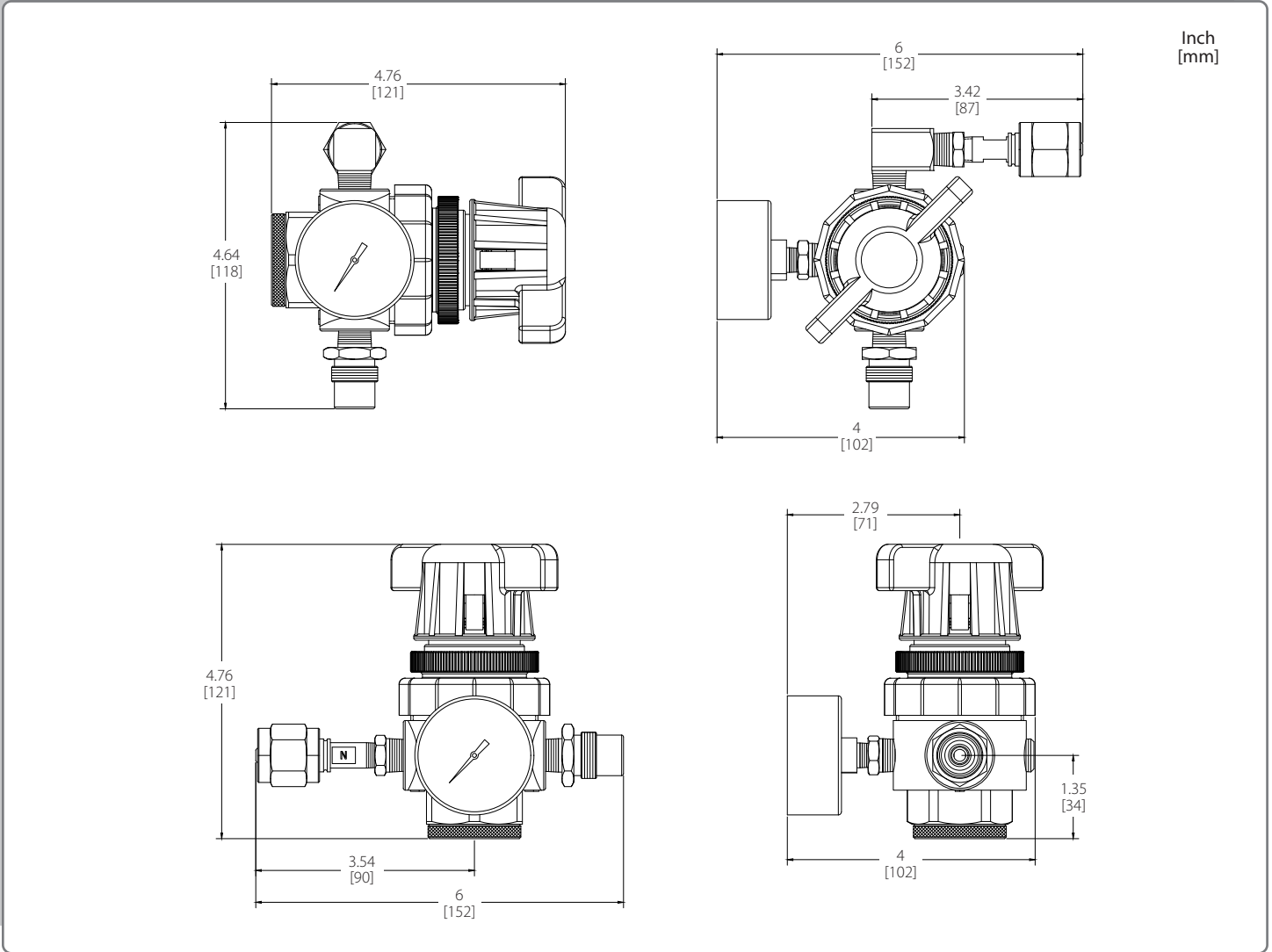
General Specifications:

The Amico General Purpose Regulator Assembly shall provide medical gas delivery pressure control to surgical tools or apparatus.

Relieving type pressure regulator

Amico's General Purpose Regulator Assembly is cleaned for medical gas service.

Technical Specifications



Model Numbers

R-WAR10-O-GAS-X

The Letter "O" Defines the Orientation:

Horizontal = H
Vertical = V

The Letter "X" Defines the Coupler Type:

DISS = D
Schraeder (AIR, N2O & NIT only) = S

"GAS" Defines the Type of Gas:

Nitrogen = NIT
Carbon Dioxide = CO2
Nitrous Oxide = N2O
Medical Air = AIR
Instrument Air = INA

Distributed By:

