

# Dual Outlet Wall Outlet CSA



## General Specifications:

The Amico Dual Outlet combines two Front Latch Valve Assemblies into a single, compact design. The Amico Dual Outlet saves space, reduces construction cost and ensures healthcare providers always have the right connection.

A large, color coded front plate shall be used for ease of gas identification and aesthetic appeal.

The Dual Outlet shall only accept corresponding gas specific adapters and the back is pin indexed to fit into its respective gas specific rough-in.

All outlets shall be cleaned and degreased for medical gas service, factory assembled and tested.

Amico products comply with NFPA 99 and CSA Z7396.1.

**Note:** The Amico Dual Outlet is recommended to be used with a 3/8" [10 mm] ID (nominal) rough-ins.

## Features:

- Flow rate exceeds the requirements of NFPA and CSA
- Accepts only gas specific adapters
- Indexed to eliminate interchangeability of gas services
- Up to 1" [25 mm] wall thickness adjustment
- 2 in 1 outlet design
- Various combinations using Ohmeda and DISS connections

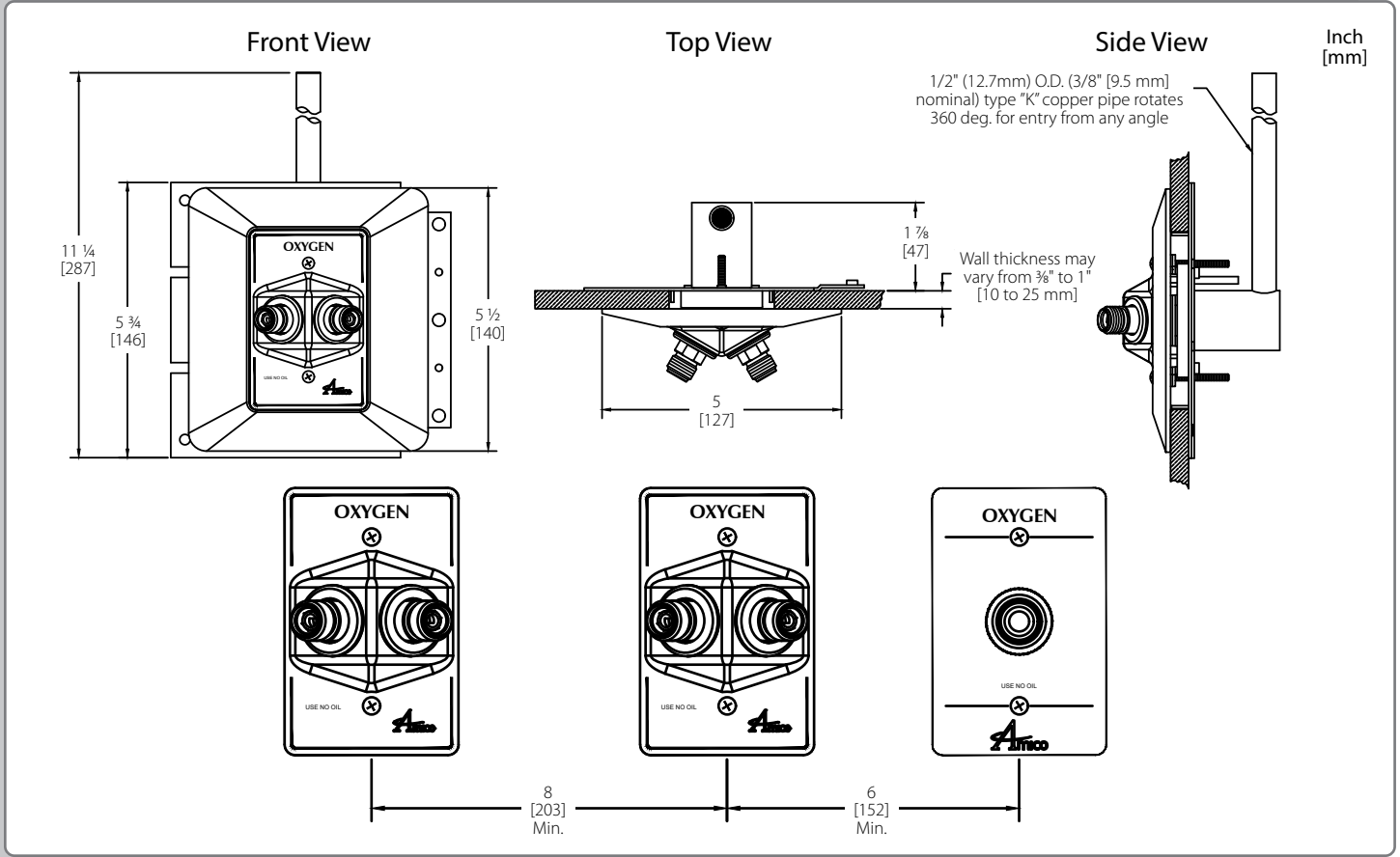
**Project**

---

---

---

# Technical Specifications



**The Letter "X" Defines the Left Side Connection Options:**

- DISS = D
- Ohmeda Connection = Q
- 15LPM Thorpe Flowmeter\* = T15
- \* Offered only on one side

## Model Numbers

**The Letter "Y" Defines the Right Side Connection Options:**

- DISS = D
- Ohmeda Connection = Q
- 15LPM Thorpe Flowmeter\* = T15
- \* Offered only on one side

### O-DFAC-XY-L-GAS

**The Word "GAS" Defines the Type of Gas:**

- Oxygen = OXY
- Medical Air = AIR

**The Letter "L" Defines the Language:**

- English (CSA/ISO) = E
- French (CSA/ISO) = F

Dual Outlet (front only):

Outlet

QTY.1

**O-BAKW-E-GAS**  
(Rough-in Assembly)

QTY.1

**O-TRIM-M500C-G2**  
(Trim Plate)

Distributed By:



**NOTE:** Rough-in and trim are to be ordered separately.