

# British Standard Outlet



## General Specifications:

Outlets shall be manufactured with a 7 3/4" [197 mm] length type "K" 1/2" [12.7 mm] outside diameter (3/8" nominal) size copper inlet pipe stub, which is silver brazed to the outlet body. The body shall be of 1 5/16" [33 mm] diameter, one piece brass construction. For positive pressure gas services, the outlet shall be equipped with a primary and secondary check valve and the secondary check valve shall be rated at a maximum of 200 psi [1,379 kPa] in the event the primary check valve is removed for maintenance. Outlet bodies shall be gas-specific by indexing each gas service to a gas-specific dual pin indexing arrangement on the respective identification module.

A colour coded label shall be used for ease of gas identification and aesthetic appeal.

The latch-valve assembly shall be British Standard type and only accept corresponding British Standard type gas-specific adapters.

All outlets shall be cleaned and degreased for medical gas service, factory assembled and tested.

## Features:

- Flow rate exceeds the requirements of ISO 9170
- Accepts only British Standard type gas-specific probes (quick connects) BS 5682
- 100% Pressure testing of each outlet and cleaned for medical gas service
- Indexed to eliminate interchangeability of gas services
- 360° Swivel Inlet Pipe for easy installation (Console Mounted Terminal Unit only)

**Project**

---

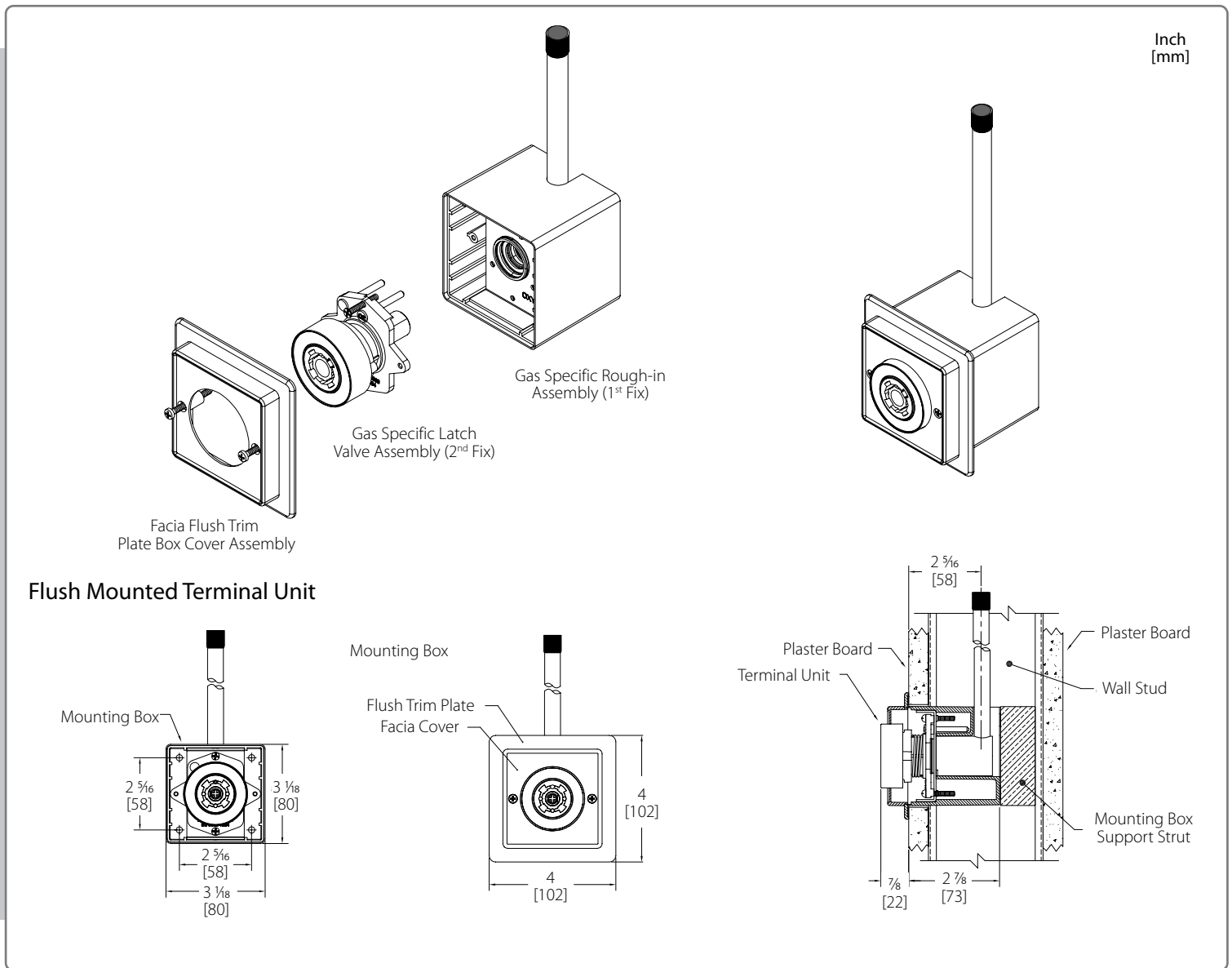


---



---

# Technical Specifications



## Model Numbers

### Flush Mounted

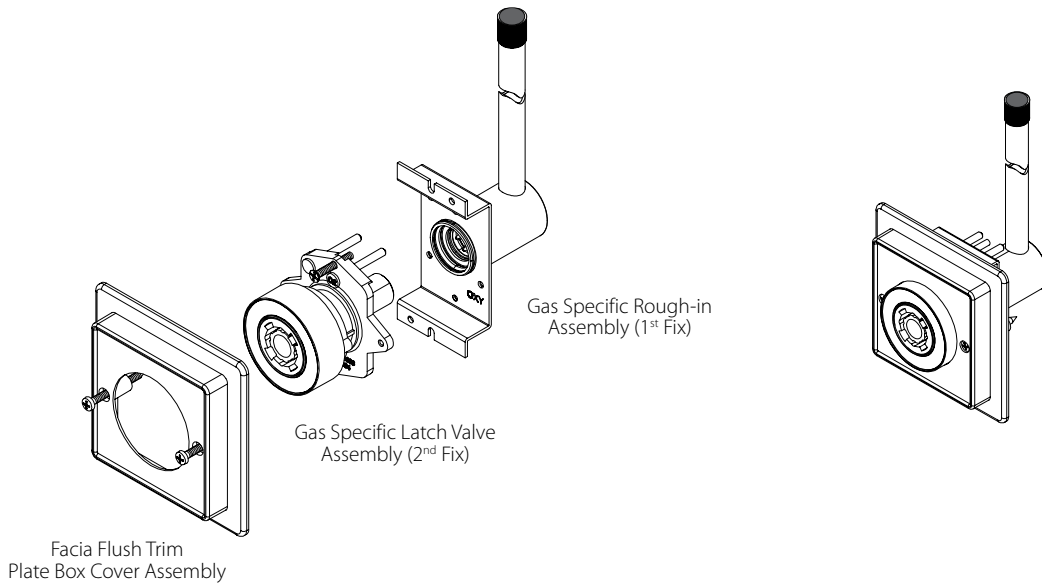
**O-FASC-BSQ-XXX**  
(Front Latch Assembly)

**O-BSQ-REC-XXX**  
(Flush Mount Terminal Assembly)

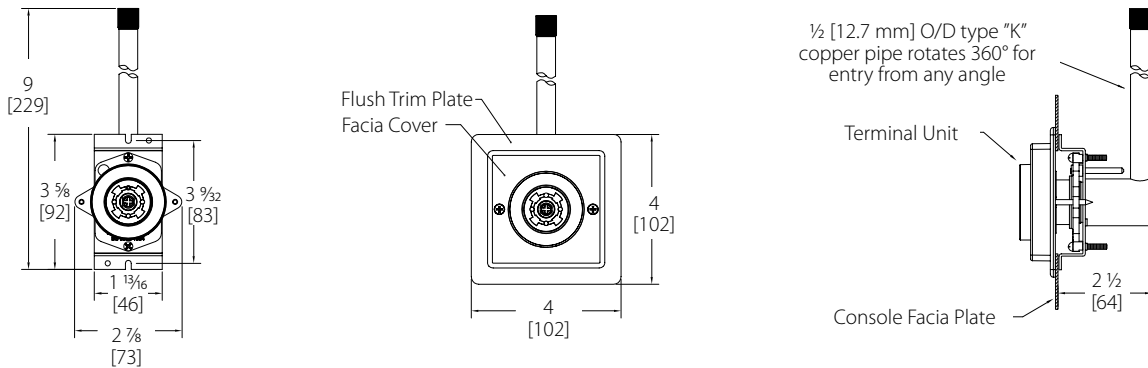
The "XXX" Defines the Type of Gas:

Oxygen	=	OXY
Medical Air	=	AIR
Nitrous Oxide	=	N2O
Vacuum	=	VAC
Surgical Air	=	SAI
Anesthetic Gas Scavenging System	=	AGS

Inch  
[mm]



## Console Mounted Terminal Unit



## Model Numbers

### Console Mounted

#### O-FASC-BSQ-XXX

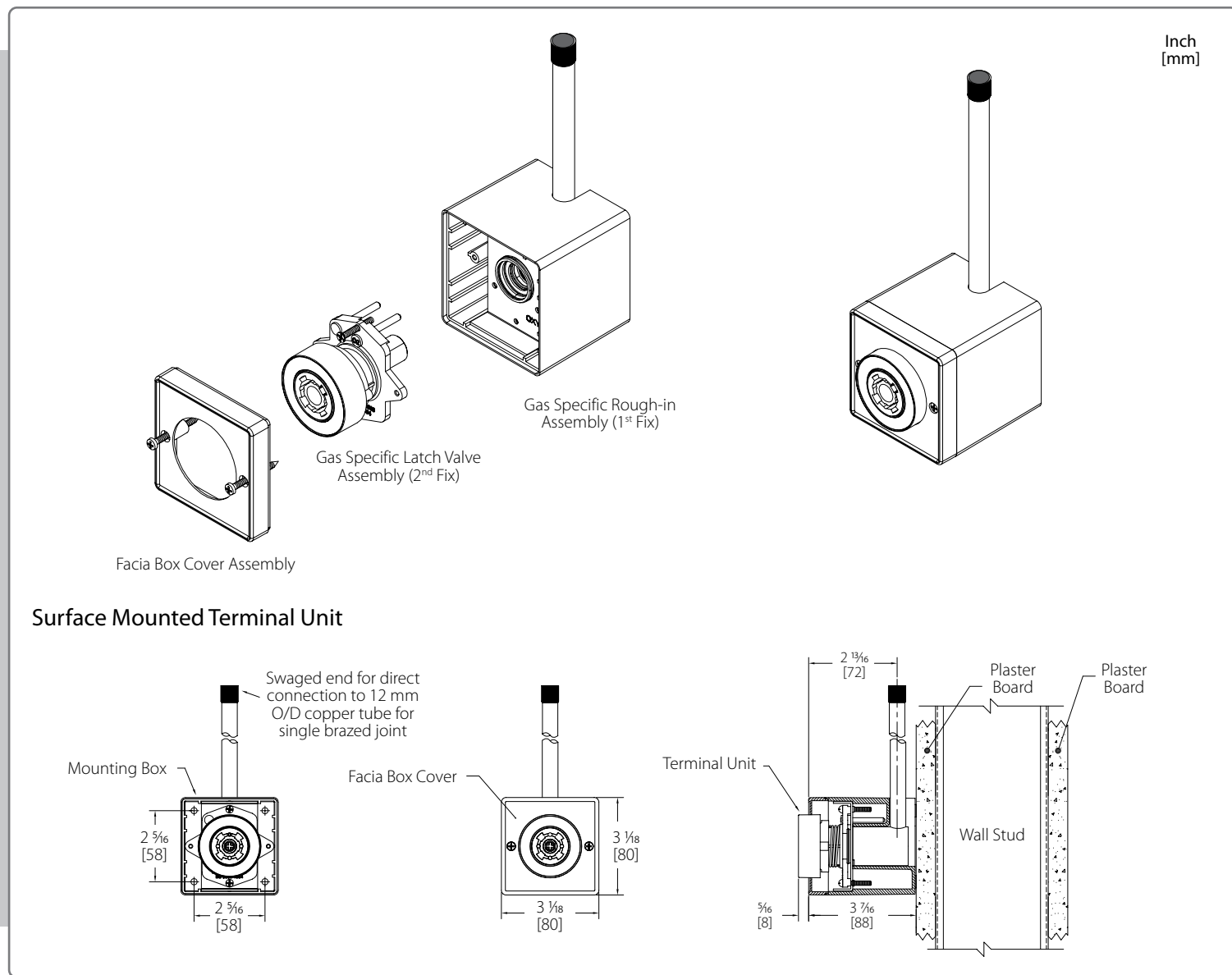
(Front Latch Assembly)

#### O-BSQ-CON-XXX

(Console Mount Terminal Assembly)

#### The "XXX" Defines the Type of Gas:

Oxygen	=	OXY
Medical Air	=	AIR
Nitrous Oxide	=	N2O
Vacuum	=	VAC
Surgical Air	=	SAI
Anesthetic Gas Scavenging System	=	AGS



## Model Numbers

### Surface Mounted

#### O-FASC-BSQ-XXX

(Front Latch Assembly)

#### O-BSQ-SUR-XXX

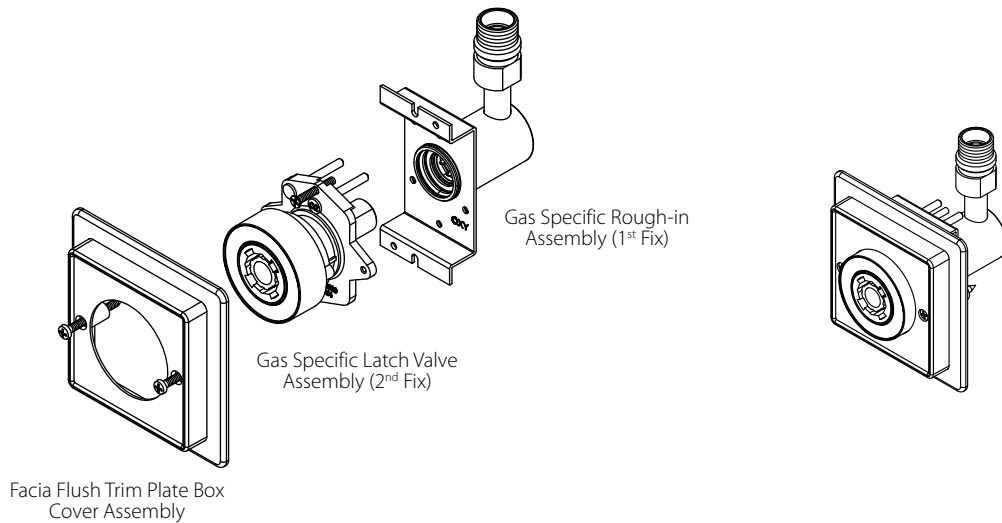
(Surface Mount Terminal Assembly)

#### The "XXX" Defines the Type of Gas:

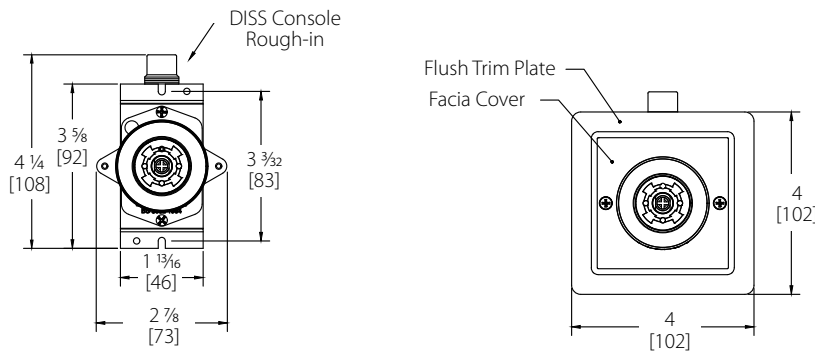
Oxygen	=	OXY
Medical Air	=	AIR
Nitrous Oxide	=	N2O
Vacuum	=	VAC
Surgical Air	=	SAI
Anesthetic Gas Scavenging System	=	AGS

# Technical Specifications

Inch  
[mm]



## Pendant Mounted Terminal Unit



## Model Numbers

### Pendant Mounted

#### **O-FASC-BSQ-XXX**

(Front Latch Assembly)

#### **O-BSQ-COND-XXX**

(Pendant Mount Terminal Assembly)

#### The "XXX" Defines the Type of Gas:

Oxygen	=	OXY
Medical Air	=	AIR
Nitrous Oxide	=	N2O
Vacuum	=	VAC
Surgical Air	=	SAI
Anesthetic Gas Scavenging System	=	AGS

Authorized Representative:  
AJW Technology Consulting GmbH  
Königsallee 106  
40215 Düsseldorf  
Tel: +49 (0) 211 3013 2232  
[www.ajwtech.com](http://www.ajwtech.com)