

British Standard Outlet Slim Style



General Specifications:

Outlets shall be manufactured with a 6-1/2" [165 mm] length type "K" , flared to 1/2" [12 mm] inside diameter, copper inlet pipe stub which is silver brazed to the outlet body. Body shall be one piece brass construction. For positive pressure gas services, the outlet shall be equipped with a primary and secondary check valve and the secondary check valve shall be rated at a maximum of 200 psi [1,379 kPa] in the event the primary check valve is removed for maintenance. Outlet bodies shall be gas-specific by indexing each gas service to a gas-specific dual pin indexing arrangement on the respective identification module.

A colour coded label shall be used for ease of gas identification and aesthetic appeal.

The latch-valve assembly shall be British Standard type and only accept corresponding British Standard type gas-specific adapters.

All outlets shall be cleaned and degreased for medical gas service, factory assembled and tested.

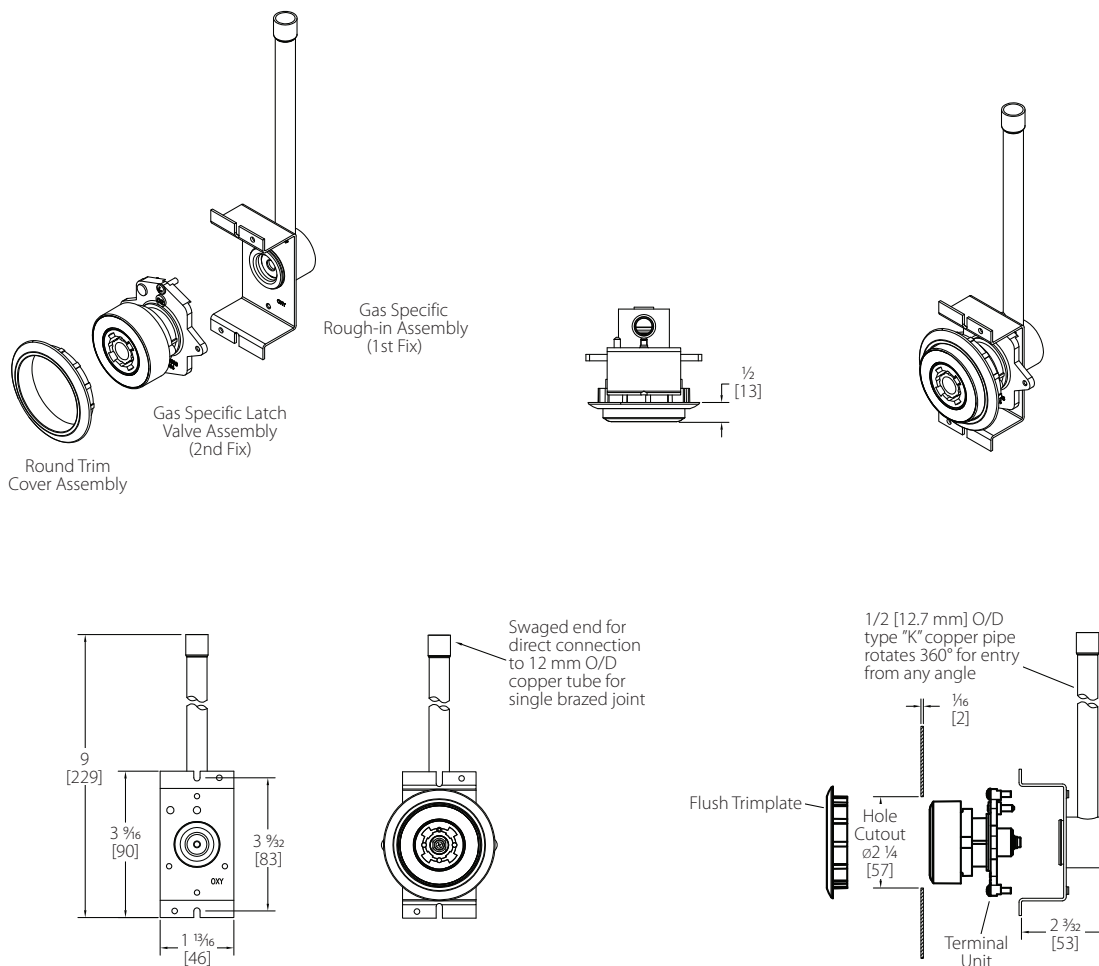
Features:

- Flow rate exceeds the requirements of ISO 9170
- Accepts only British Standard type gas-specific probes (quick connects) BS 5682
- 100% Pressure testing of each outlet and cleaned for medical gas service
- Indexed to eliminate interchangeability of gas services
- 360° swivel inlet pipe for easy installation (Console Mounted Terminal Unit only)

Project

Technical Specifications

Inch
[mm]



Model Numbers

Console Mounted

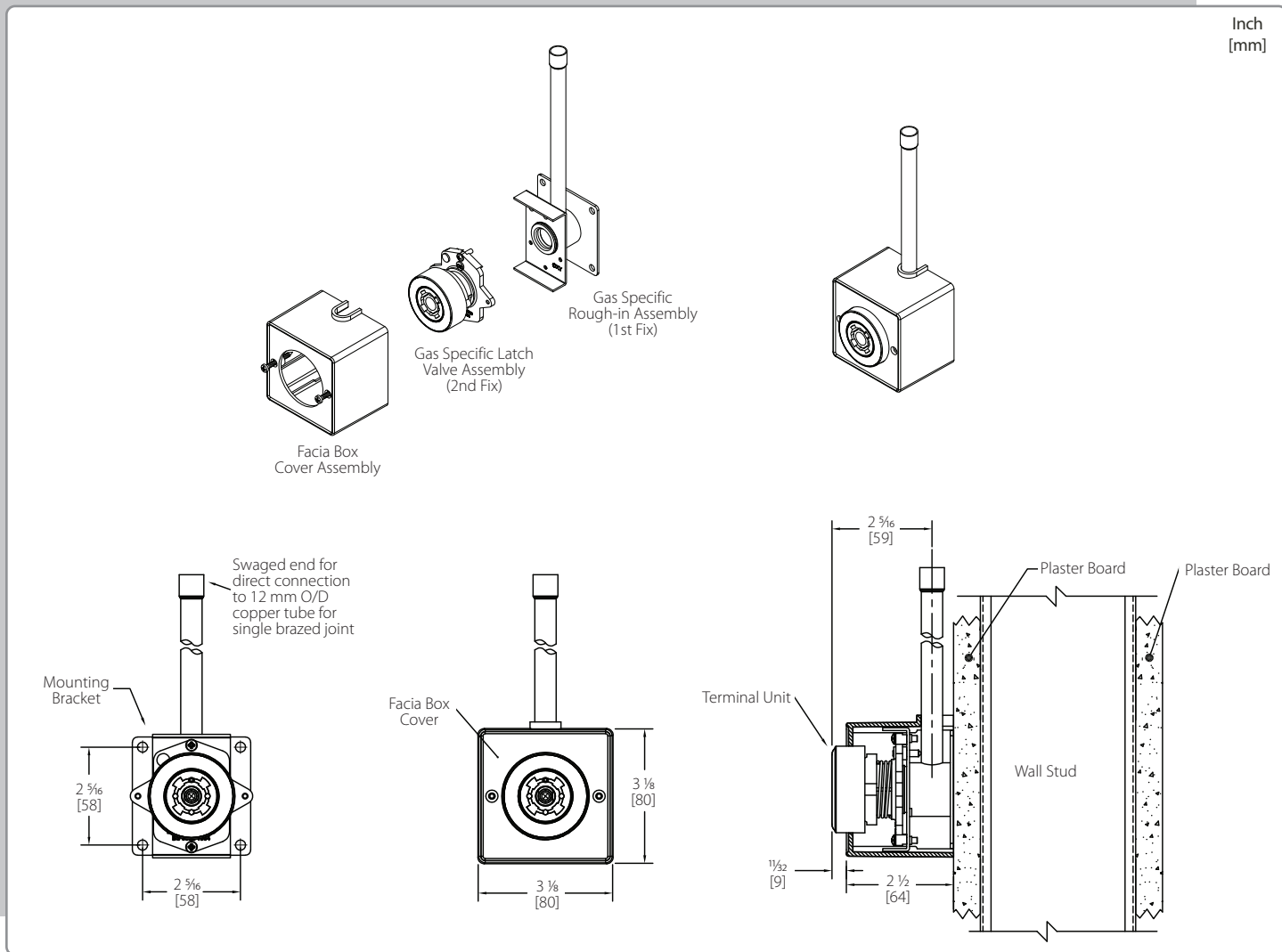
O-FASC-BSQSL-XXX
(Front Latch Assembly)

The "XXX" Defines the Type of Gas:

Oxygen	=	OXY
Medical Air	=	AIR
Nitrous Oxide	=	N2O
Vacuum	=	VAC
Surgical Air	=	SAI
Anesthetic Gas Scavenging System	=	AGS

O-BSQSL-CON-XXX
(Console Mount Terminal Assembly)

Technical Specifications



Model Numbers

Surface Mounted

O-FASC-BSQSL-XXX
(Front Latch Assembly)

The "XXX" Defines the Type of Gas:

Oxygen	=	OXY
Medical Air	=	AIR
Nitrous Oxide	=	N2O
Vacuum	=	VAC
Surgical Air	=	SAI
Anesthetic Gas Scavenging System	=	AGS

O-BSQSL-SUR-XXX
(Surface Mount Terminal Assembly)

Authorized Representative:
AJW Technology Consulting GmbH
Königsallee 106
40215 Düsseldorf
Tel: +49 (0) 211 3013 2232
www.ajwtech.com