

Installation Instructions

Serenity Series Panel Wall



Surface Mounted



User Responsibility


The installation instructions provided are for the Amico standard products. Slight modifications to the installations may be required. The product shipped to the job site may not be exactly as shown on the installation drawings. See additional sheets for project specifics where required.


IMPORTANT: PLEASE READ CAREFULLY PRIOR TO START


- Review and understand all instructions before commencing work.
- Panel Wall installation should conform to the local building codes.

All on-site preparations must be done prior to the delivery of the panel wall units. Please contact Amico to confirm and review all information listed below. Failing to do so may result in discrepancies/misalignments during installation.

Please Note These Keywords and Symbols:

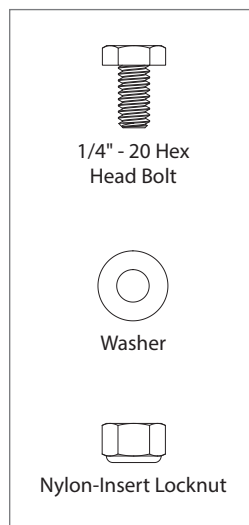
 **WARNING:** Steps where extra care should be taken to prevent injuries and damage.

 **NOTE:** Steps that point out helpful information.

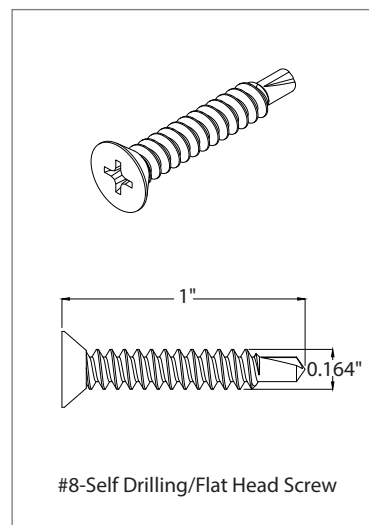
 **IMPORTANT:** Be sure to observe this instruction.

Hardware Provided by Amico

Hardware 1



Hardware 2



Preparation Before Installation

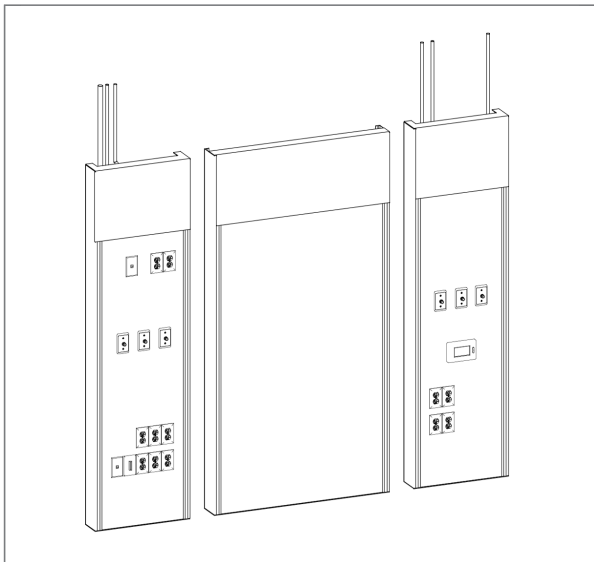
1. Review a copy of the final approved shop drawing(s) and/or submittal package. These documents will provide you with technical information specific to your installation, such as:

- Equipment types and quantities
- Room numbers and locations
- Shop drawings of each unit type
- Wiring diagrams and rough-in locations
- Blocking locations

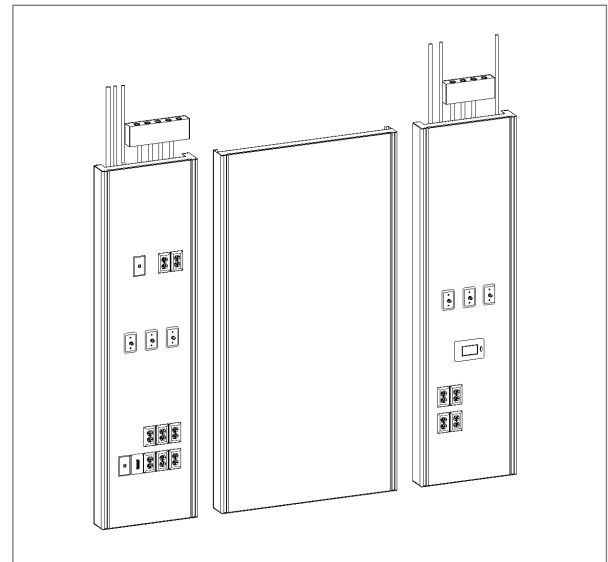
! **IMPORTANT:** Before installation of units, make sure the blocking required for mounting the headwall is installed at locations indicated on shop drawings.

2. Locate the panel wall from the shipping boxes that you wish to install. The contents of each shipping box are listed on the shipping document(s). Product is shipped in multiple sections. Please see pictures below for reference:

- Type A Design – top access panels
- Type B Design – full length panels



Type A Design
3 Sections Unit with top access panels



Type B Design
3 Sections Unit with full length panels

i **NOTE:** Please choose one of the following methods for installation:

A) Typical Method (2 sets of hanging brackets). Pages 4-6.

B) Alternate Method (Ceiling grid is in place). Page 7.

Installation

A) Typical Method

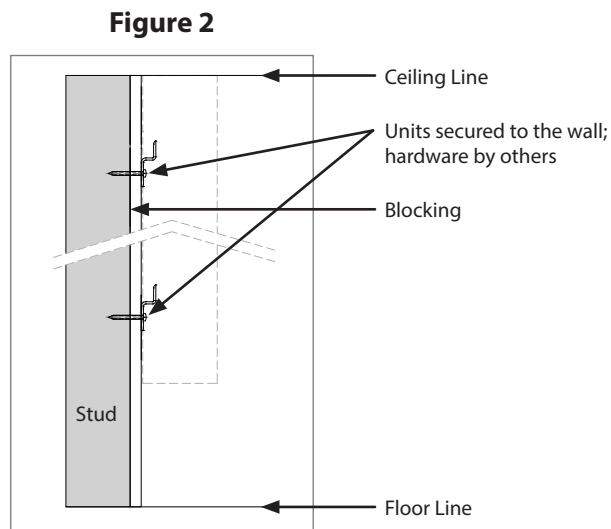
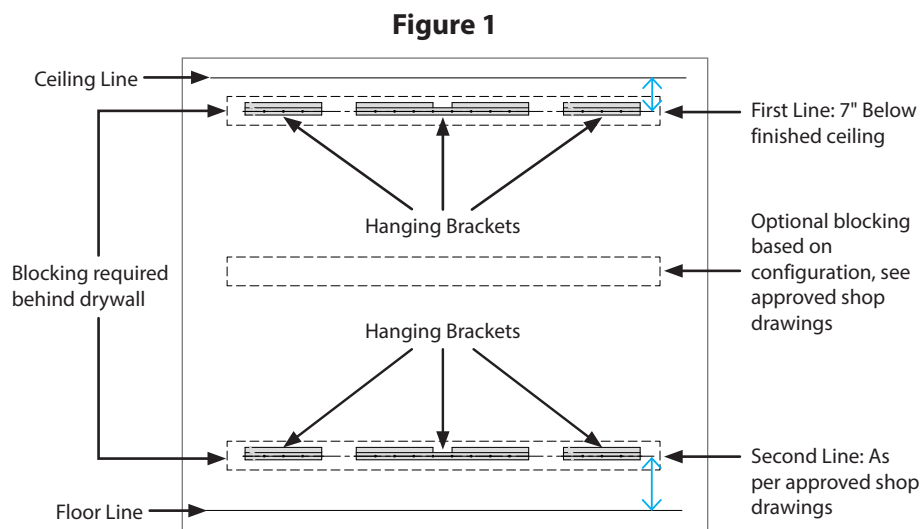
1. Mark two horizontal lines to locate drilling for mounting of hanging bracket on the wall as follows:
 - a. **First Line:** 7" below the ceiling line for the top set of mounting brackets.
 - b. **Second Line (lower location):** Refer to the height indicated on shop drawings.

(i) NOTE: These lines will be used to locate drilling for mounting of hanging brackets on the wall.

2. Set up hanging brackets as indicated in technical drawing provided with the units. Brackets are located at the top of each section for ease of identification.

3. Mount the brackets on the wall using hardware compliant to local building codes, as per **setup** diagram (**Figure 2**).

(i) NOTE: Hardware used to mount bracket to the wall is supplied by others.



Setup

Installation

! **IMPORTANT:** Ensure hanging brackets are secured to the wall studs or blocking behind the drywall using screws (provided by others).

4. Remove access panels (using tool provided).

! **IMPORTANT:** See **Page 10** for panel removal and handling instructions.

5. Align the sections and connect in 4 places along the vertical edges of each section, using the hardware provided (**Figure 3 and Hardware 1**).

6. Lift the assembly and hang it over the brackets which are already installed on the wall.

i **NOTE:** Make sure the assembly unit is fully engaged into the hanging brackets at all locations (**Figure 6**).

7. Connect the hanging bracket to the headwall support using the provided self-drilling screws (**Figure 7 and Hardware 2**). Use the number of screws listed below based on section size:

- a. 19" to 32" wide section = 2 screws
- b. 32.1" to 48" wide section = 4 screws

i **NOTE:** The positive mount will be at the top hanging bracket location (**Figure 6**).

Figure 3

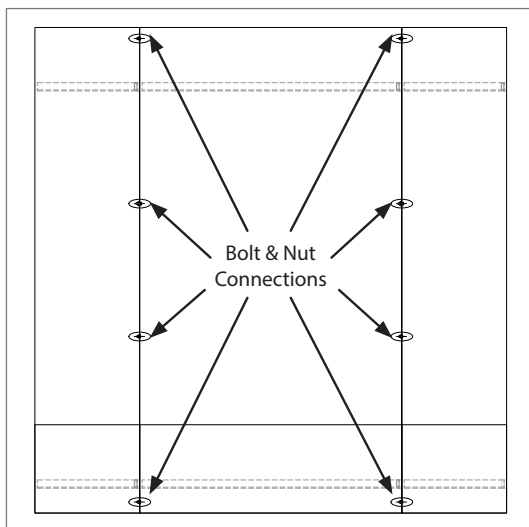
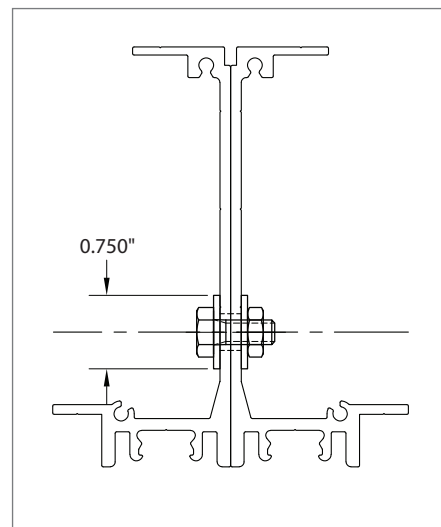


Figure 4



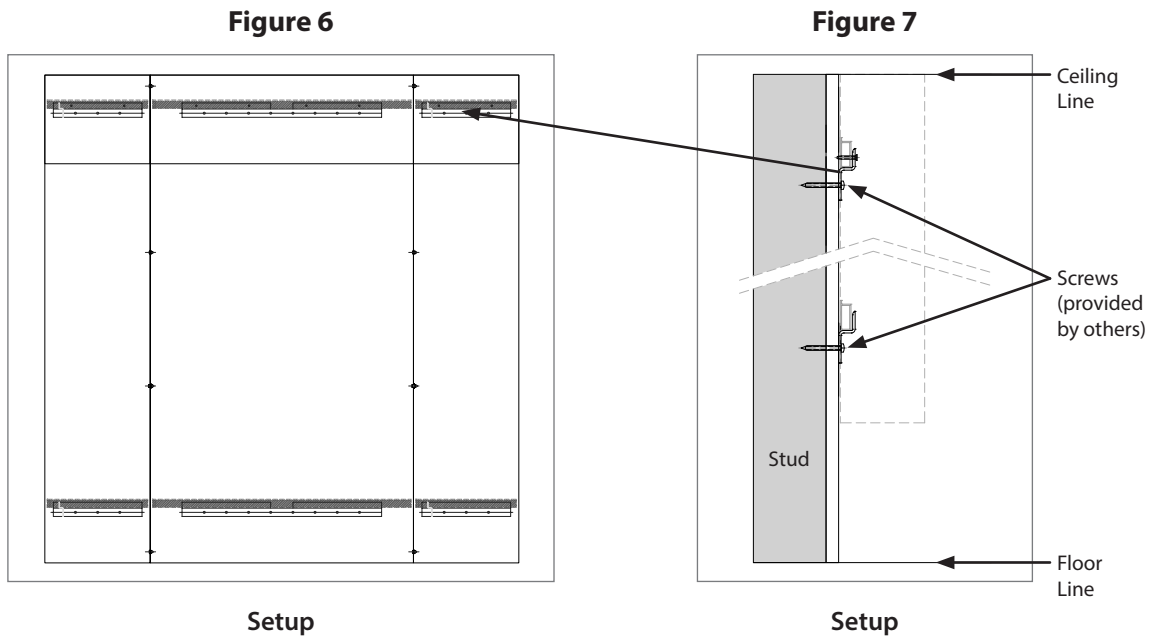
Top View Detail/Cross Section

Installation

8. Make all electrical and piping connections.

9. Attach all removed items:

- Panels (must clip in properly where applicable)
- Devices, extension rings and cover plates



! **IMPORTANT:** Do not overtighten the medgas cover plates.

10. Reinstall the rails.

! **IMPORTANT:** Must use the hardware provided to reinstall the rails.

Installation

B) Alternate Method

Use Alternate Method when Ceiling Grid is in Place

! **IMPORTANT:** Ceiling tiles must be removed during installation to allow for electrical and med gas piping to pass through.

1. Remove panels from Headwall (Using tool provided).

! **IMPORTANT:** See **Page 10** for panel removal and handling instructions.

2. Connect sections using bolt nut connections (see Step 5 of Typical Method Installation).

3. Attach the hanging brackets to the top crosses designated for hanging brackets. Use the number of screws listed below based on section size:

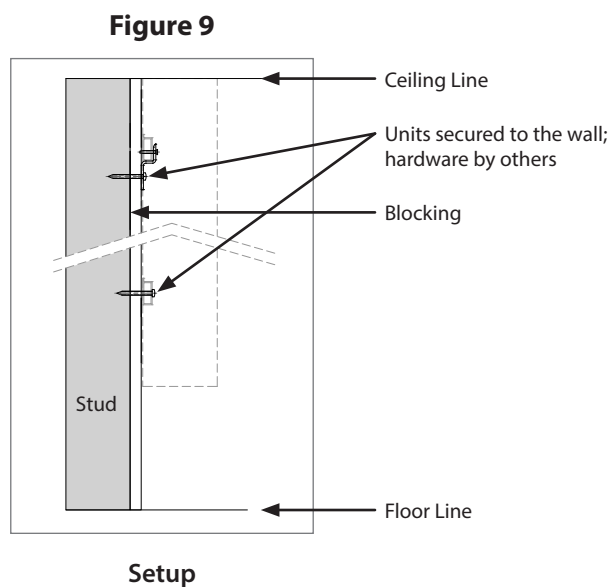
- a. 19" to 32" wide section = 2 screws
- b. 32.1" to 48" wide section = 4 screws

! **IMPORTANT:** Do not overtighten the screws – these screws will be tightened more once the unit is attached to the wall.

4. Set the unit in the final location on the wall.

5. Secure the unit to the wall through the hanging brackets on the top.

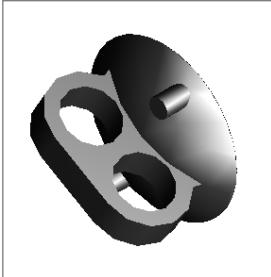
6. Use hardware compliant to local building codes to mount brackets to the wall (**Figure 9**).



Panel Removal/Handling

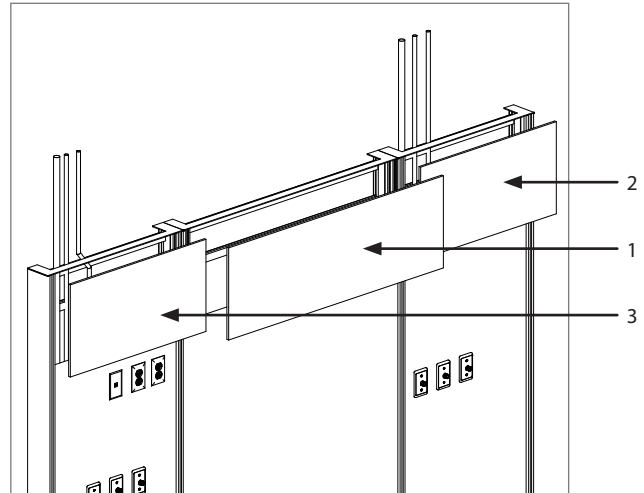
Access Panels

1. Use the provided suction cup to remove the middle panel then the left panel, prior to removing the right panel. Be careful not to drop the panels.



Part #: W-X-LIFTER-0475

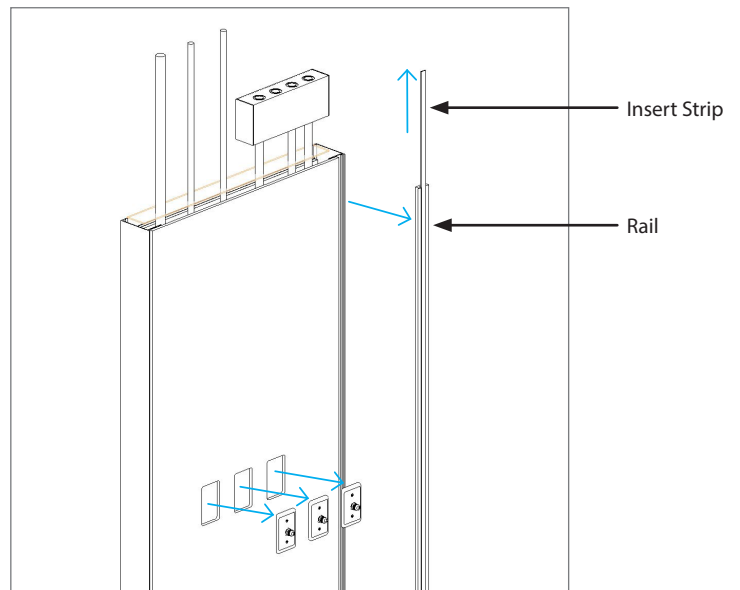
Figure 13



Panels with vertical rails and services

1. Remove vertical rails, where applicable:
 - Remove Bottom plate
 - Remove Insert strip
 - Remove screws
2. Remove device cover plate.
3. Remove panels (using the provided suction cup)

Figure 14



WARNING:

- Stack panels face to face to prevent damage.
- Keep panels as flat as possible when handling or storing.
- Do not drag panels on other panels in order to prevent scratch or scuff.
- Panels must be stored on a dry surface (never directly on the floor or directly on concrete). it is desirable to keep the panels in a controlled environment where the HVAC system is operating.

Notes

www.amico.com

Amico Corporation | 85 Fulton Way, Richmond Hill, ON L4B 2N4, Canada
600 Prime Place, Hauppauge, NY 11788, USA
Toll Free Tel: 1.877.462.6426 | Tel: 905.764.0800 | Fax: 905.764.0862
Email: info@amico.com | www.amico.com