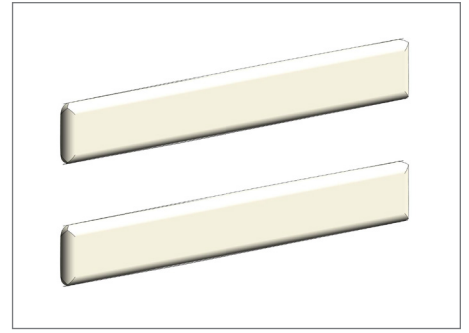




Bed Bumpers - Horizontal Installation Instructions



A) Horizontal Bed Bumper Installation on the Wall

1. Refer to the dimensions indicated on the shop drawings to measure and mark locations for the Horizontal Bed Bumper(s) on the wall (**Figure 1**).
2. Move the bed bumper into location.
3. Remove the cover.
4. Insert the endcaps to the back aluminum plate and mount the assembly into the blocking behind drywall, using hardware provided by others (**Figure 2**).

! **IMPORTANT:** Use hardware compliant to the local building codes.

5. Insert the black bumper into place.
6. Replace the cover in place.

Figure 1

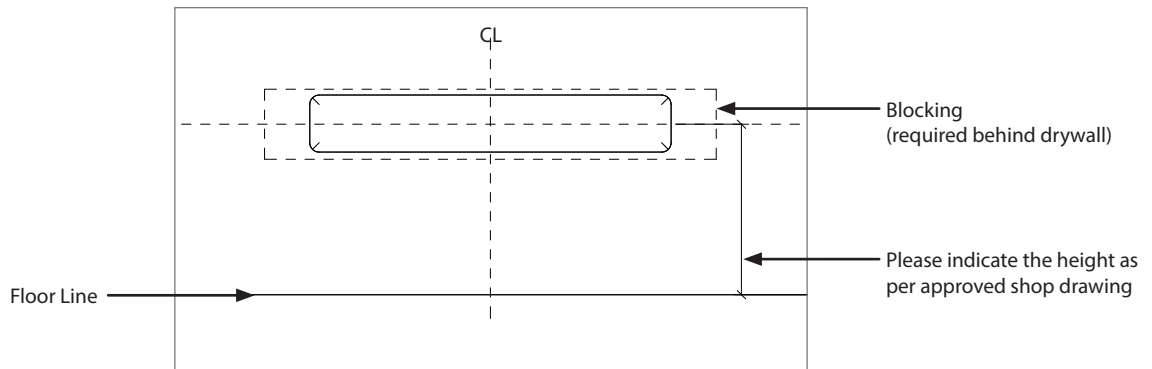
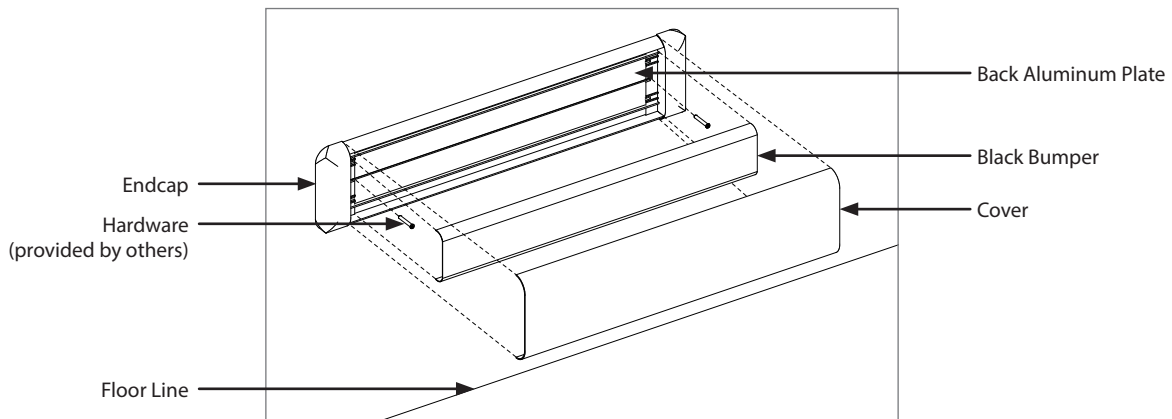
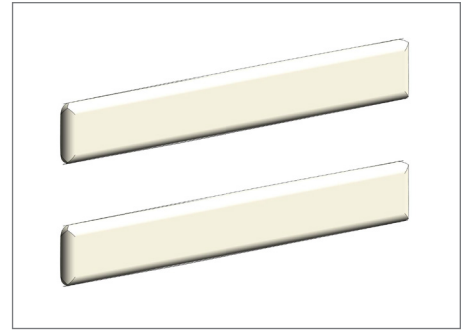


Figure 2





Bed Bumpers - Horizontal Installation Instructions



B) Horizontal Bed Bumper Installation on the Panel Wall

1. Complete Panel Wall installation.
2. Refer to the dimensions indicated on the shop drawings to measure and mark locations for the Horizontal Bed Bumper(s) on the Panel Wall (**Figure 3**).
3. Remove the cover.
4. Move the bed bumper into location.
5. Mount the bed bumper into the bed impact behind panel using self-drilling screw provided by Amico (**Hardware 1**).

i **NOTE:** Hardware will NOT be provided if Bed Bumper is not purchased with Amico Panel Wall. Hardware to be acquired by others.

! **IMPORTANT:** Please refer to the shop drawings for location and number of screws needed, as it may vary by project.

6. Insert the black bumper into place.
7. Replace the cover in place.

Hardware 1

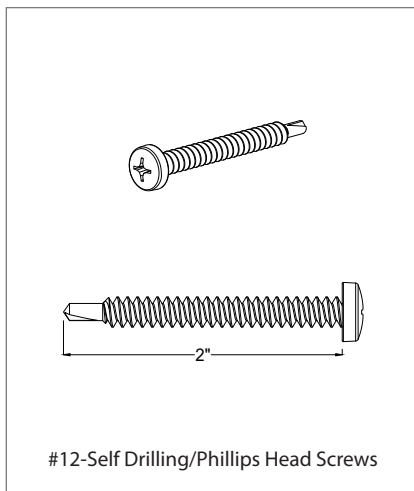


Figure 3

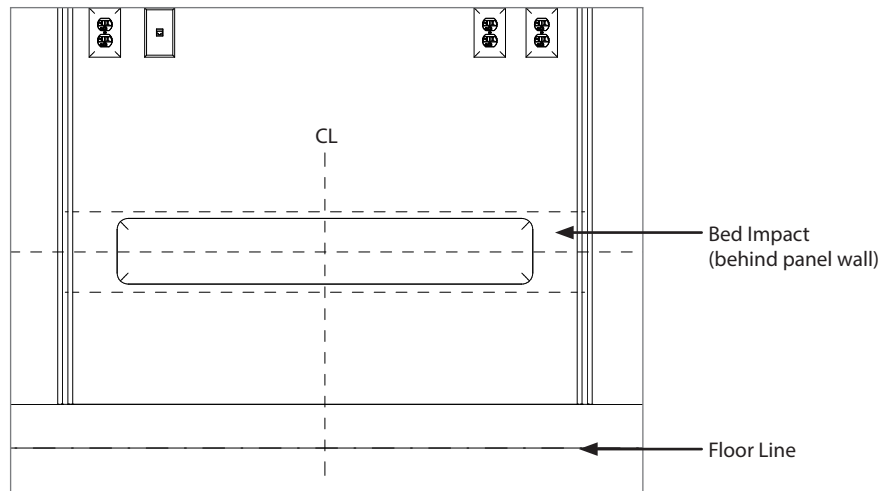
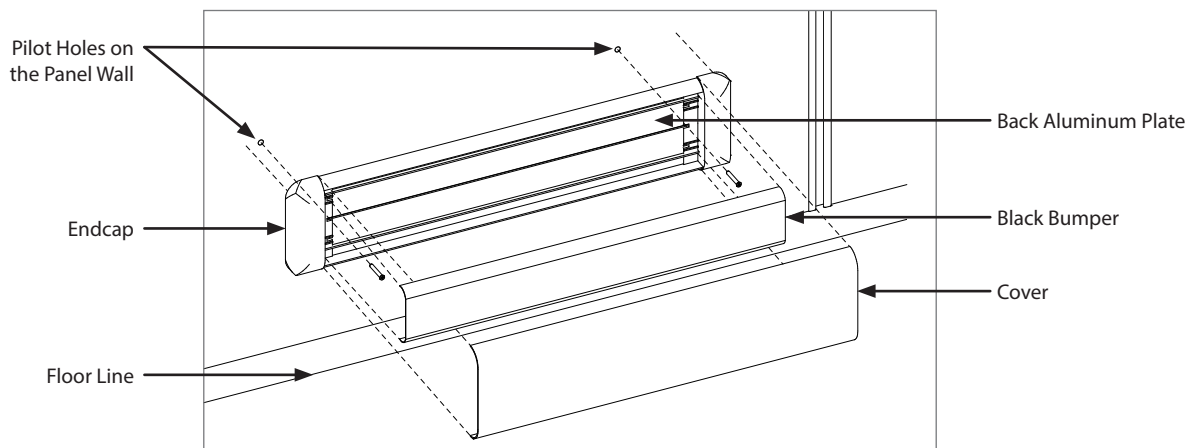


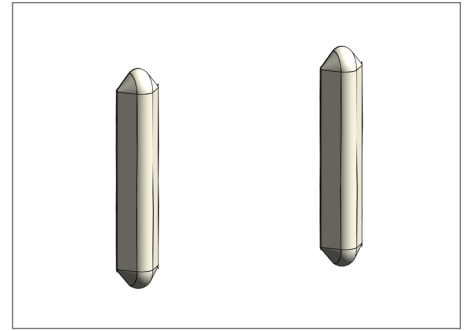
Figure 4





Bed Bumpers - Vertical

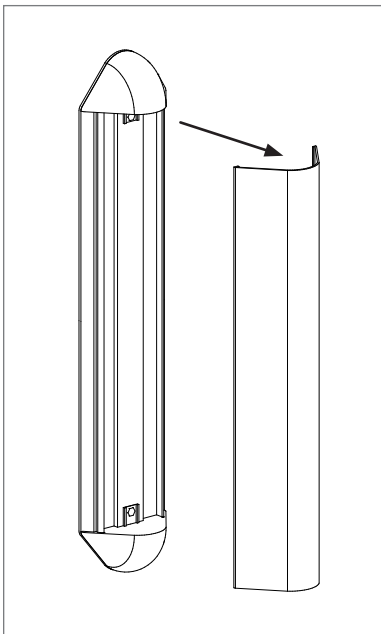
Installation Instructions



C) Vertical Bed Bumper Installation on the Wall

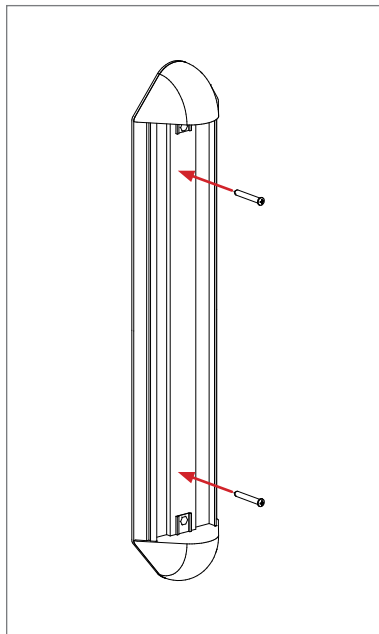
1. Refer to the dimensions indicated on the shop drawings to measure and mark locations for the Vertical Bed Bumper(s) on the wall.
2. Move the bed bumper into location.
3. Remove the cover (**Figure 5**).
4. Mount the bed bumper from two locations into the blocking behind drywall using hardware provided by others (**Figure 6**).
! **IMPORTANT:** Use hardware compliant to the local building codes.
5. Replace the cover in place (**Figure 7**).

Figure 5



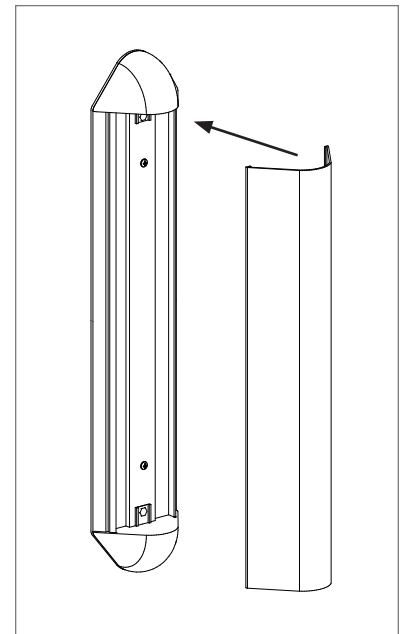
Remove the Cover

Figure 6



Secure the Unit to the Wall
(hardware provided by others)

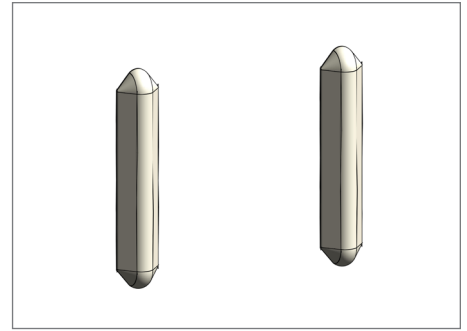
Figure 7



Replace the Cover

Bed Bumpers - Vertical

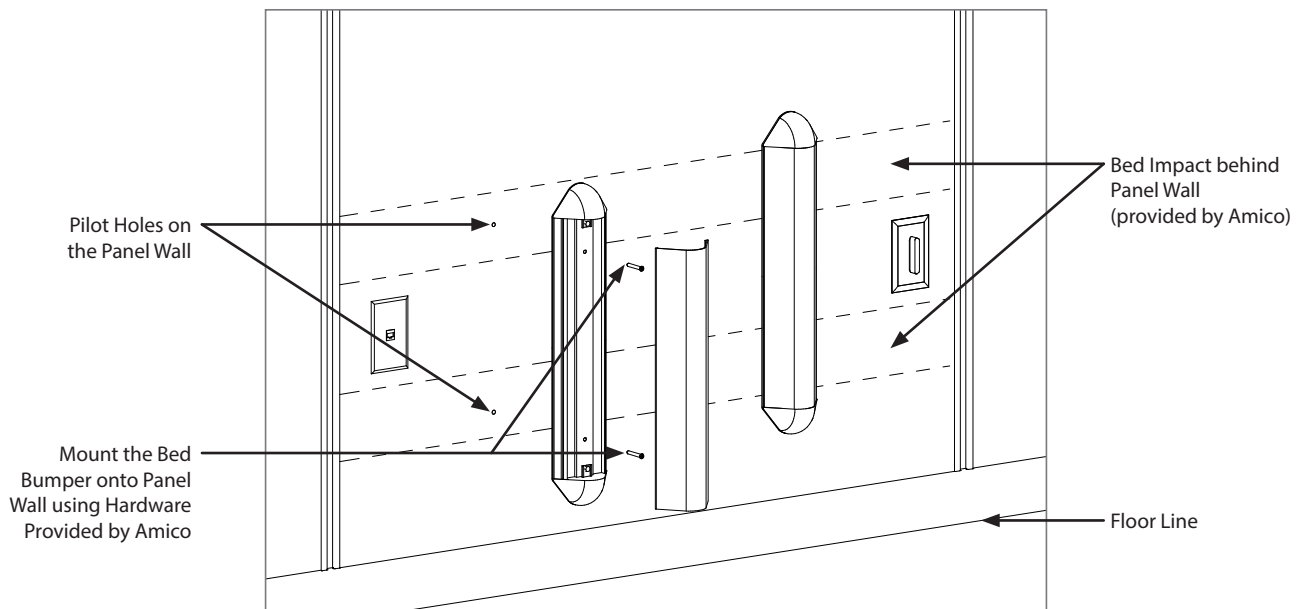
Installation Instructions



D) Vertical Bed Bumper Installation on the Panel Wall

1. Complete panel wall installation.
2. Refer to the dimensions indicated on the shop drawings to measure and mark locations for the Vertical Bed Bumper(s) on the wall. **(Figure 8).**
3. Remove the cover.
4. Move the bed bumper into location.
5. Mount the bed bumper into the bed impact behind panel using self-drilling screw provided by Amico **(Hardware 1)**.
 - i** **NOTE:** Hardware will NOT be provided if Bed Bumper is not purchased with Amico Panel Wall. Hardware to be acquired by others.
 - !** **IMPORTANT:** Please refer to the shop drawings for location and number of screws needed, as it may vary by project.
 - i** **NOTE:** Bed Impacts are provided by Amico on the unit behind panels to support the bed bumper.
6. Replace the cover in place.

Figure 8



Isometric View of Vertical Bed Bumper Installation on the Panel Wall