




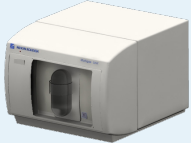






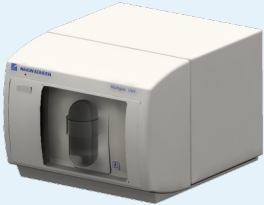
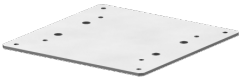


Nihon Kohden Ordering Guide Reference Chart



Device	Mounting Kit	Mounting Platform	Restrictions	Add-ons
 <p>Nihon Kohden BSM-6301/BSM-6501/BSM-6701</p> <p>BSM-6301 - 13.9 lbs (6.3 kg)* BSM-6501 - 17.6 lbs (8 kg)* BSM-6701 - 22 lbs (10 kg)*</p>	 <p>NK-6501-PLT-00</p>	 <p>AHM-050</p>	N/A	 <p>Module</p>
		 <p>SSM-050</p>	N/A	 <p>AG-920RA</p>
		 <p>RS6-420-PKG/RS7-420-PKG</p>	N/A	 <p>GF-210R</p>  <p>Cable and Patient Leads</p>




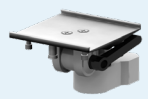





Nihon Kohden Ordering Guide Reference Chart



Device	Mounting Kit	Mounting Platform	Restrictions	Add-ons
 <p>Module 2.9 lbs (1.3 kg)</p>	N/A	Mounts to the back of the BSM-6301/6501/6701	N/A	N/A
 <p>AG-920RA 7.5 lbs (3 kg)</p>	 <p>NK-920PA-PLT-00</p>	 <p>SSM-450</p>	Mounts on MRS rail	
		 <p>SSM-450-R125</p>	Mounts on Roll Stand post with primary device	

Nihon Kohden Ordering Guide Reference Chart



Device	Mounting Kit	Mounting Platform	Restrictions	Add-ons
 <p>GF-210R 9.3 lbs (4.2 kg)</p>	 <p>NK-6501-PLT-00</p>	 <p>SSM-450</p>	Mounts on MRS rail with primary device on AHM/SSM	N/A
		 <p>SSM-450-R125</p>	Mounts on Roll Stand post with primary device	
 <p>Cable and Patient Leads</p>	 <p>CRDHLD2</p>	 <p>AHM-050</p>	Mounts below with primary device on AHM/SSM	
		 <p>SSM-050</p>		
	 <p>101004-MON-BB</p>	N/A	Mounts on MRS rail with AHM/SSM	

*Weight provided to help approximate mounting capacity. For reference only.