
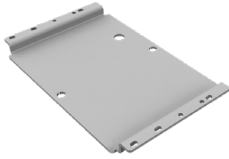


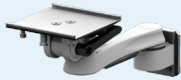









Nihon Kohden Ordering Guide Reference Chart



Device	Mounting Kit	Mounting Platform	Restrictions	Add-ons
 <p>Nihon Kohden Life Scope® VS BSM-3500/BSM-3700 BSM-3500 - 13.7 lbs (6.2 kg)* BSM-3700 - 16.3 lbs (7.4 kg)*</p>	 <p>NK-LFSCP-BSM-PLT-00</p>	 <p>AHM-050</p>	N/A	 <p>Cable and Patient Leads</p>
		 <p>SSM-050</p>	N/A	
		 <p>RS6-420-PKG</p>	N/A	
		 <p>TTM-XXX-450-A00</p>	N/A	

Nihon Kohden Ordering Guide Reference Chart



Device	Mounting Kit	Mounting Platform	Restrictions	Add-ons
 <p>Cable and Patient Leads</p>	 <p>CRDHLDR2</p>	 <p>AHM-050</p>	Mounts below with primary device on AHM/SSM	N/A
		 <p>SSM-050</p>	Mounts below with primary device on AHM/SSM	
	 <p>101004-MON-BB</p>	N/A	Mounts on MRS rail with AHM/SSM	

*Weight provided to help approximate mounting capacity. For reference only.