

## Technical Specifications

### Display Mount

- Maximum recommended screen size 24" (61 cm) (without exceeding Worksurface width)
- Working load ranges (including technology and VESA accessories):
  - Tablet: 5 lbs (2.25 kg) - 10 lbs (4.5 kg)
  - LCD: 5 lbs (2.25 kg) - 15.5 lbs (7 kg)
  - AIO: 15.5 lbs (7 kg) - 22 lbs (10 kg)
- VESA MIS-D: 75 mm and 100 mm (optional adapter plates for other sizes) - slotted for easy installation

### Workflow

- Modular and flexible to accommodate changing workflows
- Integrated Worksurface light for night-time use
- Ergonomic design for reduced clinician fatigue

### Maintenance

- Designed to meet infection control and prevention standards using non-porous, easy to clean materials (aluminum, steel, ABS plastic, nylon, and thermofoil Worksurface)
- Use Caviwipes or other disinfectant wipes (no abrasives, solvents, or trichloroethylene)

### Ergonomics

- Independent display height adjustment with tilt, pan, and rotate (**Figures 4-6**)
- Independent Worksurface height adjustment (**Figure 1**)
- Slide-out Keyboard Tray with Left/Right mouse (**Figure 7**)
- Facilitates easy travel with ergonomic handles, low center of gravity, and 4 x 5" (12.7 cm) casters (2x Free-moving, 2x Locking)
- Optional directional caster to enhance steering ability

### Worksurface

- Large size, hard Worksurface, suitable for charting and medication preparation
- RFID integration with support for various protocols (optional)
- Sit-to-stand height adjustment range 14.75" (37.47 cm) (**Figure 1**)
- Keyboard light

### Movement Ranges

- Display:
  - Tilt +/-15° | Pan 180° | Rotate +/- 90° (lockable) (**Figures 5, 6**)
  - Height adjustment (independent from Worksurface): 6.5" (16.5 cm) (**Figure 4**)
  - Absolute height range (center of display): 21.2" (53.85 cm) (**Figure 1**)
  - Height minimum (center of display): 41.1" (104.41 cm)
  - Height maximum (center of display): 62.3" (158.12 cm)
- Worksurface: Height range: 14.75" (37.47 cm) (**Figure 1**)
  - Height minimum: 32.8" (83.19 cm)
  - Height maximum: 47.5" (120.65 cm)
- Mouse Tray: In and Out 7.3" (18.54 cm) (**Figure 7**)

### Loads

- Total lift column load ranges (technology and accessories):
  - Tablet: 0 lbs (0 kg) minimum to 5.8 lbs (2.64 kg) maximum
  - LCD and Small Form Factor: 15 lbs (6.80 kg) minimum to 22 lbs (9.98 kg) maximum
  - AIO: 15 lbs (6.80 kg) minimum to 22 lbs (9.98 kg) maximum

### Key Dimensions

- Maximum screen size: 24" (61 cm) (LCD models)
- Worksurface: 20" (50.8 cm) W x 22" (55.88 cm) L (**Figure 2**)
- Footprint: 16.1" (40.9 cm) W x 17.94" (45.57 cm) L (**Figure 3**)
- Ground clearance: 6" (15.24 cm)
- Wheels: 4 x 5" (12.7 cm) casters

### Storage Capacity

- Vertical Rail Column: 15" (38.1 cm) H rail on right and left side\*
- Ergonomic Accessory Rail: 18" (45.7 cm) Width

\*Consult with sales rep for load limits based on accessory and storage mounting requirements

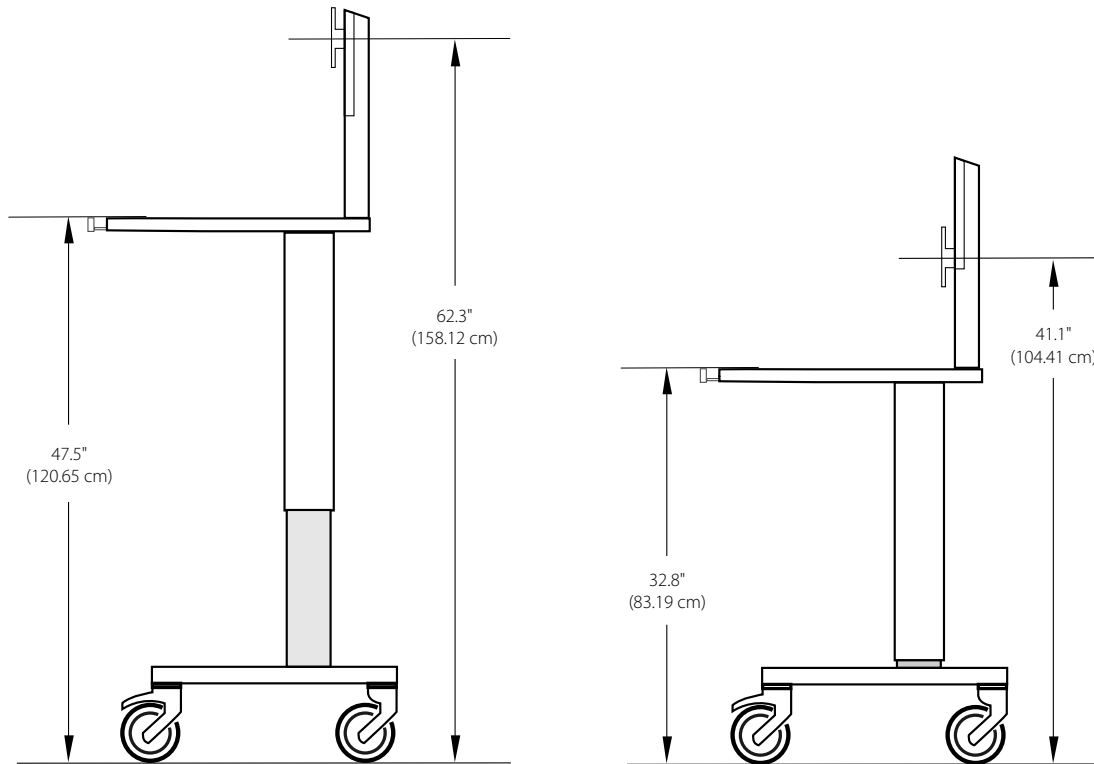
### Shipping Dimensions and Weights

- Shipped dimensions: 27.25" (69.22 cm) x 21" (53.34 cm) x 10.56" (26.83 cm)
- Shipped weight: 76 lbs (34.47 kg)
- Actual weight: 70 lbs (31.75 kg)

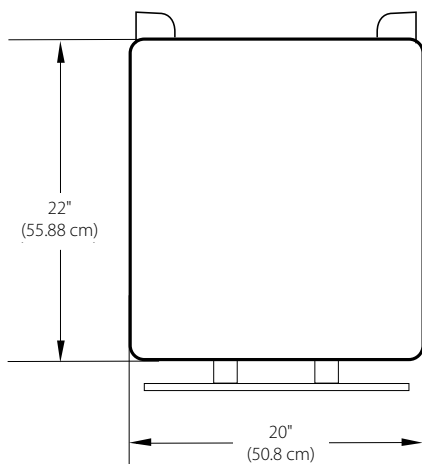
### Warranty

- 3-Year Warranty

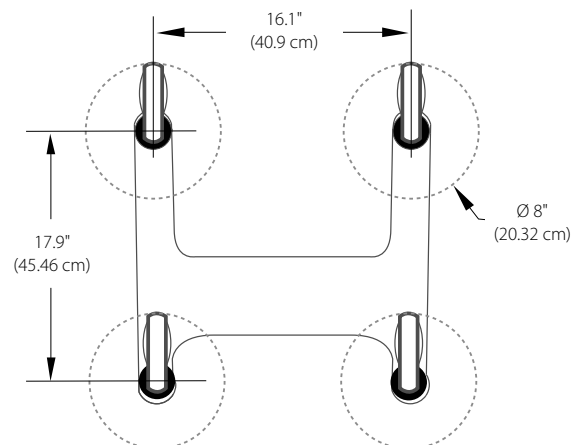
# Dimensions and Movement Range



**Figure 1**  
Minimum and Maximum Positions

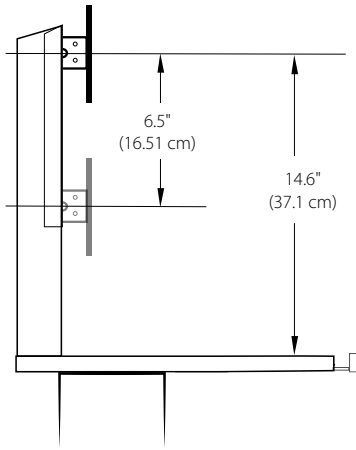


**Figure 2**  
Worksurface Area

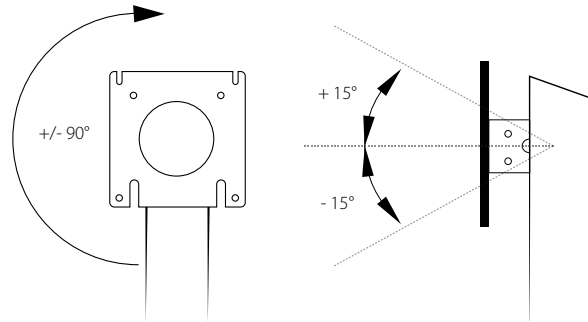


**Figure 3**  
Wheelbase

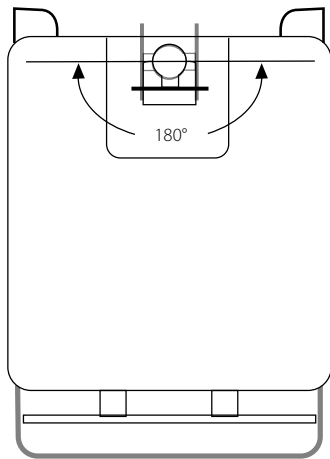
# Dimensions and Movement Range



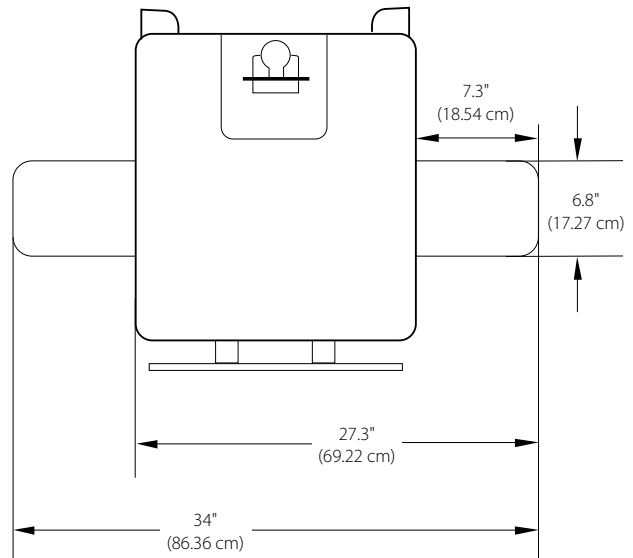
**Figure 4**  
Display - Independent Height Adjustment (LCD/AIO Models)



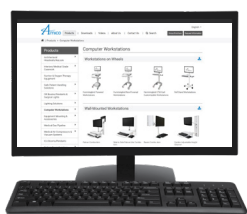
**Figure 5**  
Display - Tilt and Rotate (LCD/AIO Models)



**Figure 6**  
Display - Pan (LCD/AIO Models)



**Figure 7**  
Mouse Tray (Left/Right)



Please visit [www.amico.com](http://www.amico.com) for all technical specifications, installation instructions, detailed AutoCAD drawings, and more Mounting Solutions.