

Technical Specifications

Power System

- 120-240 VAC, 50-60 Hz input
- 120 VAC pure sine wave, 60 Hz, 180 W output
- Optional 9V, 12V, 19.5V DC outputs
- 6' coiled power cord (standard), or 12' (optional)
- 3 outlets inside the Worksurface
- Ability to upgrade power source (battery)
- Power Inlet Options | US/CAN (TYPE B), GER/FRA (TYPE F), UK (TYPE G), DEN (TYPE K), AUS/NZ (TYPE I), and custom
- Power System IEC60601 Certified | Cart IEC60601 and IEC60950 Compliant
- Power/Reset button located under Worksurface (**Figure 3**)

Battery

- Lithium Iron Phosphate (LiFePO4) Chemistry
- LiFePO4 battery - 12V 19.2 Ah (230.4 Wh) ->6 hrs typical screen and PC, as tested
- LiFePO4 battery - 12V 38.4 Ah (460.8 Wh) ->12 hrs typical screen and PC, as tested
- LiFePO4 battery - 12V 57.6 Ah (691.2 Wh) ->18 hrs for typical screen and PC, as tested
- 3 hour fast charge to ~90% full, 4 hours to fully charged, from empty
- ~2000-3000 cycles

Workflow

- Modular and flexible to accommodate changing workflows
- Compact size to accommodate limited space for storage
- Integrated keyboard, Worksurface, and base light for night-time use
- Wheels/Casters: 2x Free-moving, 1x Steering Assist, 1x Locking
- Ergonomic design for reduced clinician fatigue

Maintenance

- Designed to meet infection control and prevention standards using non-porous, easy to clean materials (Aluminum, steel, ABS plastic, Nylon)
- Use Caviwipes or other disinfectant wipes (no abrasives, solvents, or trichloroethylene)

Ergonomics

- Independent Worksurface height adjustment (**Figures 1 & 2**)
- Slide-out with Keyboard Tray Left/Right mouse, (**Figures 6 & 7**) or Ergonomic Keyboard Tray with Left/Right mouse, side-to-side, tilt, and height adjustment (**Figures 8-11**)
- Facilitates easy travel with ergonomic handles, low center of gravity, and 4x 5" (12.7 cm) casters (2x Free-moving, 1x Steering Assist, 1x Locking)

Worksurface

- Large size, hard Worksurface, suitable for charting and medication preparation
- Spill guard capacity: 8 fl oz (236.6 ml)
- RFID integration with support for various protocols (optional)
- 2x Auxiliary USB 2.0 ports
- Laptop compartment fan (optional)
- Secure Laptop storage section (**Figure 4**)
- Customizable surface label (optional)
- Sit-to-stand height adjustment range 13" (33 cm) (**Figures 1 & 2**)
- Programmable user settings (requires Electric Lift and Advanced Control Interface)
- Keyboard Light
- Worksurface Light (requires Advance Control Interface)

Movement Ranges

- Worksurface: Height range: 13" (33 cm)
- Worksurface: Height min: 35" (88.9 cm) | Height max: 48" (121.9 cm)
For ELL: Height min: 38" (97.7 cm) | Height max: 51" (130.7 cm)
- Slideout Keyboard: In and Out 7" (17.8 cm)
- Ergonomic Keyboard: Tilt +20°/-10° | Pan 180° | Height 7.5" (19 cm) | In and Out 10" (25.4 cm)

Control Interface - Advanced

- Resistive touch
- Controls workstation height and lights
- Indicates battery level with estimated remaining runtime
- Integrated notes
- Programmable User Height Setting (100 profiles per cart, unlimited with Fleet Management add-on)
- Error condition alerts: low battery, bad battery, battery recovery, AC/DC - plug/battery, collision detection, shutdown, moved while connected to power

Loads

- Electric Lift Column: 100 lbs (45.4 kg)

BirdsEye Workstation Management

- Manage critical issues locally or remotely with BirdsEye Workstation Management packages. See Sell Sheet for software details.

Key Dimensions

- Worksurface: 19.9" (50.5 cm) W x 14.5" (36.8 cm) L (**Figure 3**)
- Secure PC/Laptop compartment:
 - Section A: 9.5" (24.1 cm) W x 8.5" (21.6 cm) L x 2.6" (6.6 cm) H (**Figure 4**)
 - Section B: 4.5" (11.4 cm) W x 8.5" (21.6 cm) L x 3.2" (8.1 cm) H (**Figure 4**)
- Footprint: 20.3" (51.4 cm) W x 20.3" (51.4 cm) L (**Figure 5**)
- Ground clearance: 1.6" (4.1 cm)
- Wheels: 4 x 5" (12.7 cm) casters

Storage Capacity

- Bump Storage Rail: 18" (45.7 cm) Width*
 - Vertical Rail Column: 13" (33 cm) H rail on right and left side*
- *Consult with sales rep for load limits based on accessory and storage mounting requirements

Dimensions and Weights

- Shipped Dimensions: 24" (61 cm) x 24" (61 cm) x 60" (152.4 cm)
- Shipped Weight: 106.5 lbs (48.3kg)
- Actual Weight: 85.2 lbs (38.6 kg)

Warranty

- 5-Year Warranty (excludes battery and power system)
- 3-Year Warranty for battery and power system
- Extended warranty for battery and power system (optional)

Dimensions and Movement Range

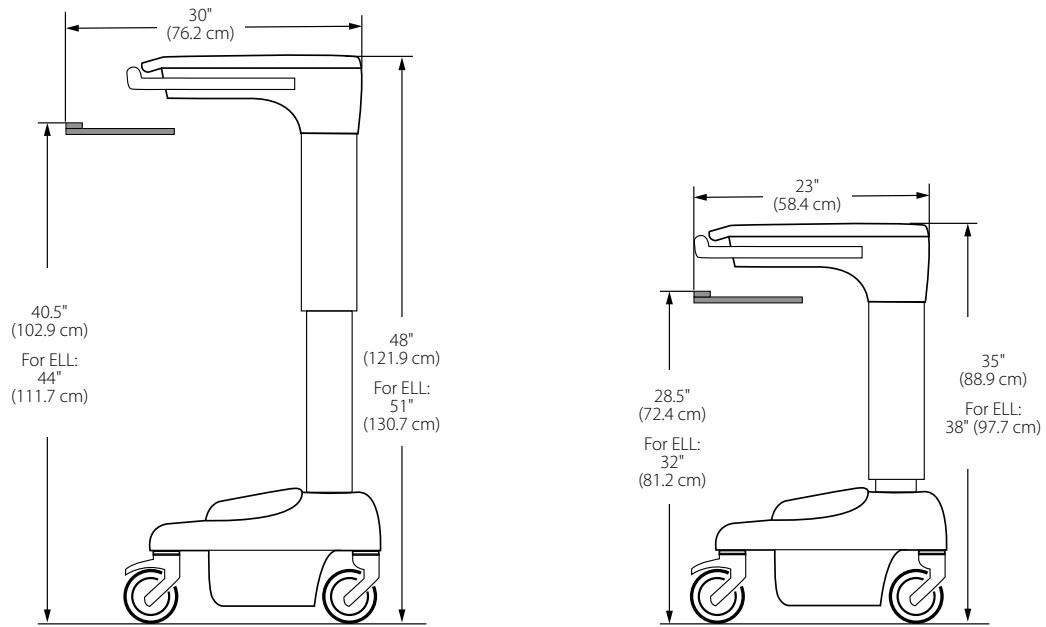


Figure 1
Minimum and Maximum Positions with Slideout Keyboard

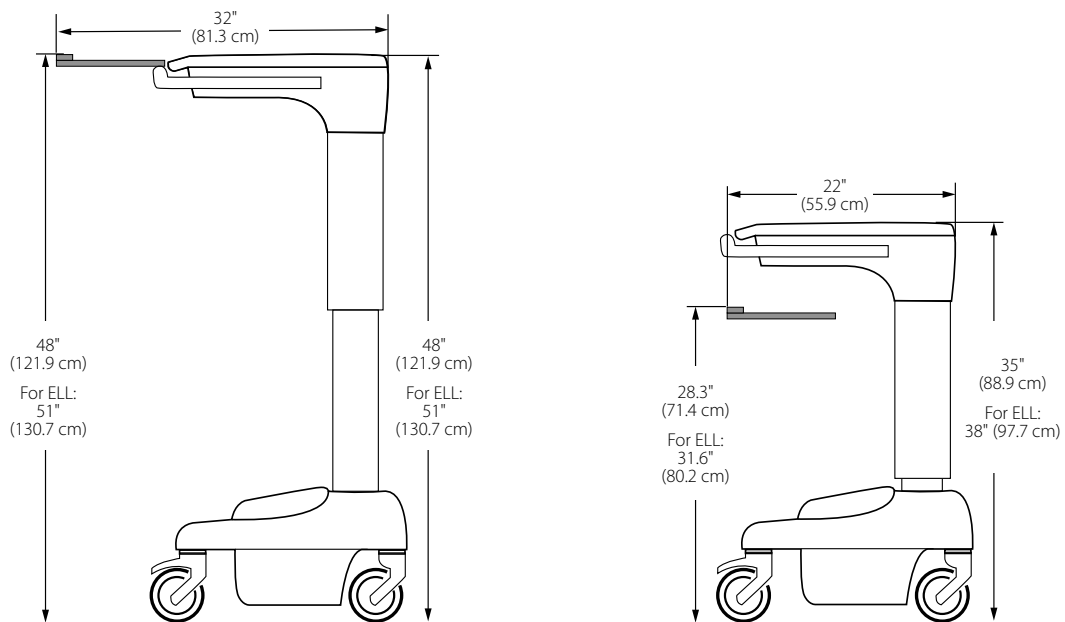


Figure 2
Minimum and Maximum Positions with Ergonomic Keyboard

Dimensions and Movement Range

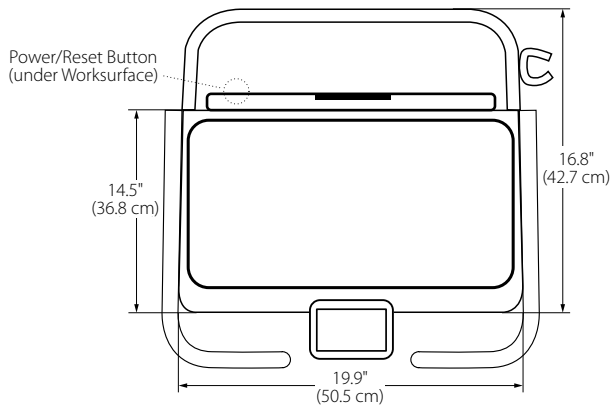


Figure 3
Worksurface - Worksurface Area

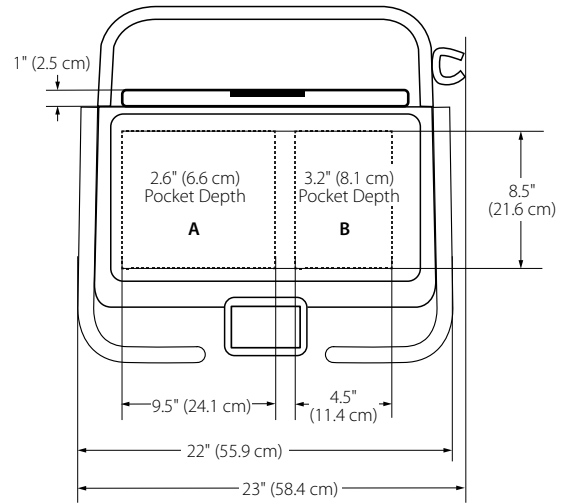


Figure 4
PC/Laptop Compartment Area

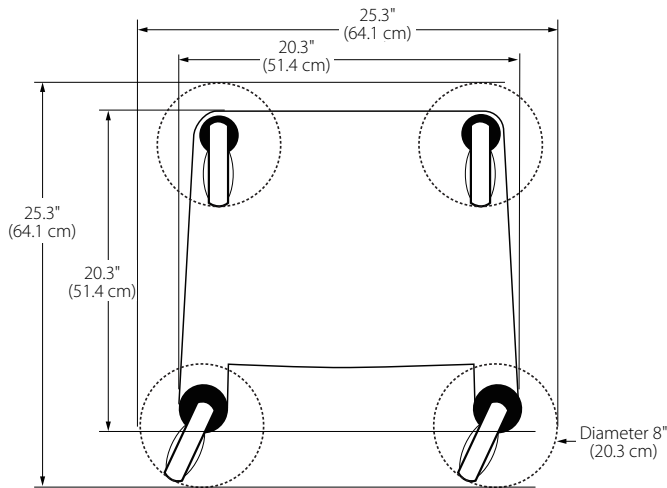


Figure 5
Wheelbase

Slideout Keyboard Tray

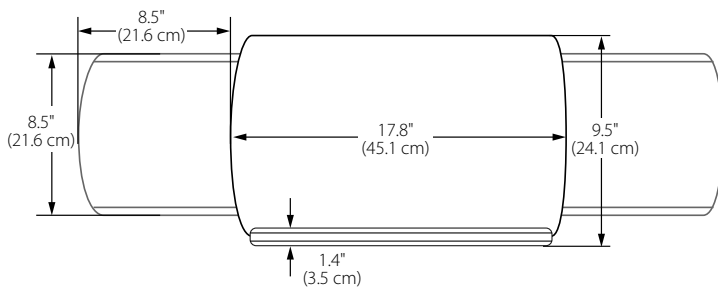


Figure 6
Dimensions

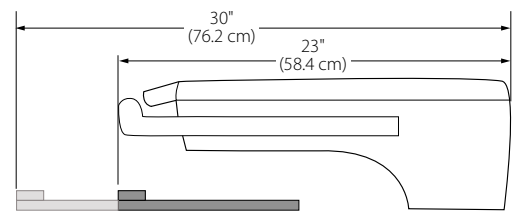


Figure 7
In/Out Range

Dimensions and Movement Range

Ergonomic Keyboard Tray

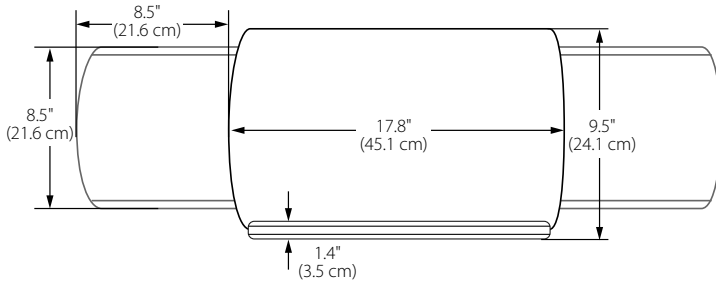


Figure 8
Dimensions

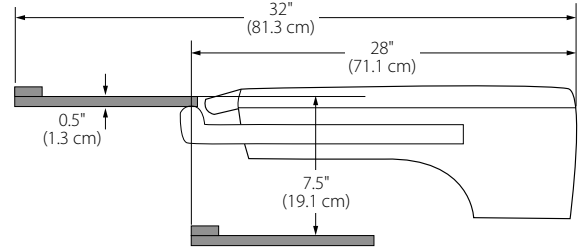


Figure 9
In/Out and Height Range

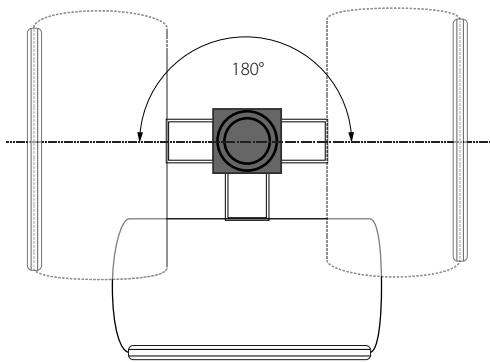


Figure 10
Pan

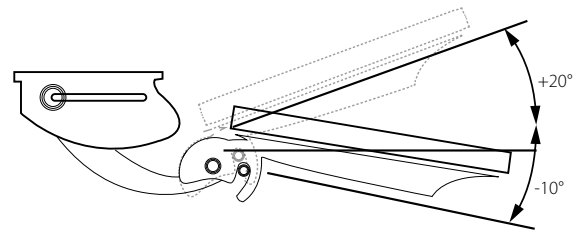


Figure 11
Tilt



Please visit www.amico.com for all technical specifications, installation instructions, and to learn more about other great Amico products and equipment. Detailed CAD drawings available upon request.

Amico Accessories Inc. 85 Fulton Way, Richmond Hill, ON L4B 2N4, Canada
Toll Free Tel: 1.877.264.2697 | Tel: 905.763.7778 | Fax: 905.763.8587

www.amico.com