

Hummingbird Laptop | Non-Powered | Manual Lift

Technical Specifications

Workflow

- Modular and flexible to accommodate changing workflows
- Compact size to accommodate limited space for storage
- Integrated keyboard, Worksurface, and base light for night-time use
- Wheels/Casters: 2x Free-moving, 1x Steering Assist, 1x Locking)
- Ergonomic design for reduced clinician fatigue

Maintenance

- Designed to meet infection control and prevention standards using non-porous, easy to clean materials (Aluminum, steel, ABS plastic, Nylon)
- Use Caviwipes or other disinfectant wipes (no abrasives, solvents, or trichloroethylene)

Ergonomics

- Independent Worksurface height adjustment (**Figures 1 & 2**)
- Slide-out Keyboard Tray with Left/Right mouse, (**Figures 6 & 7**) or Ergonomic Keyboard Tray with Left/Right mouse, side-to-side, tilt, and height adjustment (**Figures 8-11**)
- Facilitates easy travel with ergonomic handles, low center of gravity, and 4x 5" (12.7 cm) casters (2x Free-moving, 1x Steering Assist, 1x Locking)

Worksurface

- Large size, hard Worksurface, suitable for charting and medication preparation
- Spill guard capacity: 8 fl oz (236.6 ml)
- RFID integration with support for various protocols (optional)
- 2x Auxiliary USB 2.0 ports
- Laptop compartment fan (optional)
- Secure Laptop storage section (**Figure 4**)
- Customizable surface label (optional)
- Sit-to-stand height adjustment range 13" (33 cm) (**Figures 1 & 2**)
- Programmable user settings (requires Electric Lift and Advanced Control Interface)
- Keyboard Light
- Worksurface Light (requires Advance Control Interface)

Movement Ranges

- Worksurface: Height range: 13" (33 cm)
- Worksurface: Height min: 35" (88.9 cm) | Height max: 48" (121.9 cm)
- Slideout Keyboard: In and Out 7" (17.8 cm)
- Ergonomic Keyboard: Tilt +20°/-10° | Pan 180° | Height 7.5" (19 cm) | In and Out 10" (25.4 cm)

Control Interface - Standard

- Capacitive touch
- Controls workstation lights
- Indicates connection to power supply status

Loads

- Lift Column: 10 lbs (4.5 kg) - 50 lbs (22.7 kg) (optional capacities)

Key Dimensions

- Worksurface: 19.9" (50.5 cm) W x 14.5" (36.8 cm) L (**Figure 3**)
- Secure PC/Laptop compartment:
 - Section A: 9.5" (24.1 cm) W x 8.5" (21.6 cm) L x 2.6" (6.6 cm) H (**Figure 4**)
 - Section B: 4.5" (11.4 cm) W x 8.5" (21.6 cm) L x 3.2" (8.1 cm) H (**Figure 4**)
- Footprint: 20.3" (51.4 cm) W x 20.3" (51.4 cm) L (**Figure 5**)
- Ground clearance: 1.6" (4.1 cm)
- Wheels: 4 x 5" (12.7 cm) casters

Storage Capacity

- Bump Storage Rail: 18" (45.7 cm) Width*
 - Vertical Rail Column: 13" (33 cm) H rail on right and left side*
- *Consult with sales rep for load limits based on accessory and storage mounting requirements

Dimensions and Weights

- Shipped Dimensions: 24" (61 cm) x 24" (61 cm) x 60" (152.4 cm)
- Shipped Weight: 110 lbs (49.9 kg)
- Actual Weight: 65.2 lbs (29.6 kg)

Warranty

- 5-Year Warranty (excludes battery and power system)

Dimensions and Movement Range

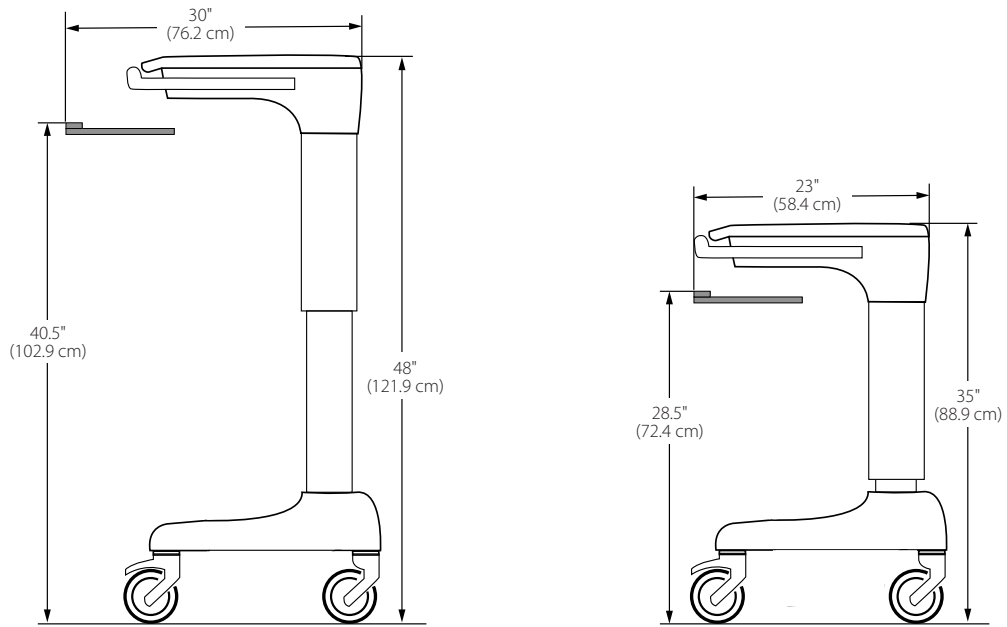


Figure 1
Minimum and Maximum Positions with Slideout Keyboard

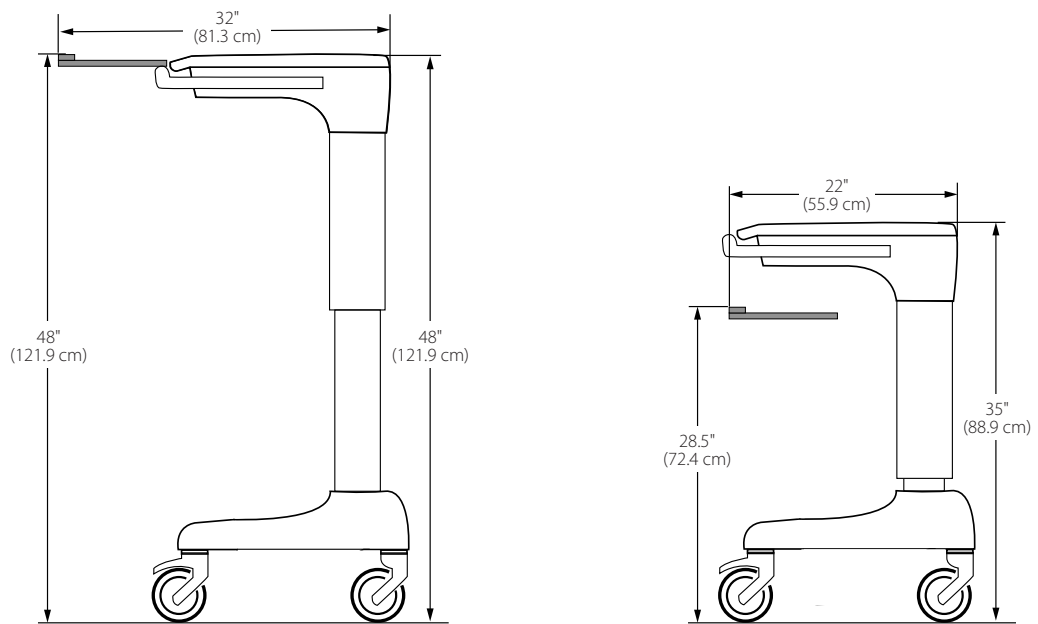


Figure 2
Minimum and Maximum Positions with Ergonomic Keyboard

Dimensions and Movement Range

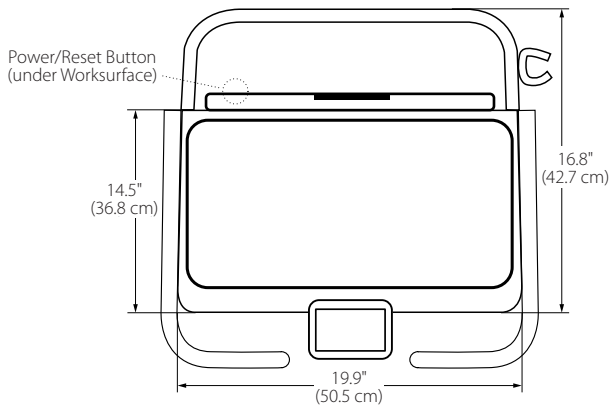


Figure 3
Worksurface - Worksurface Area

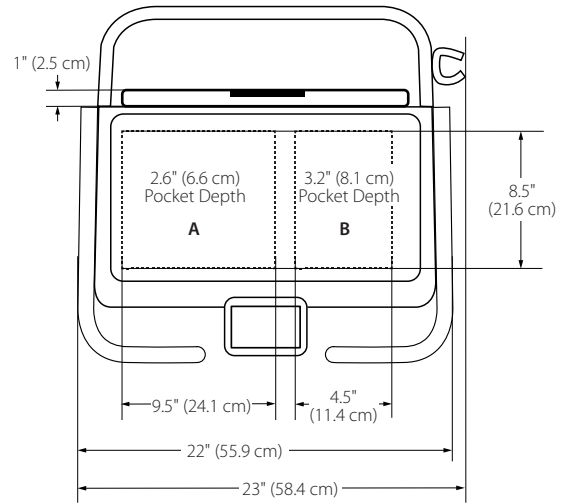


Figure 4
PC/Laptop Compartment Area

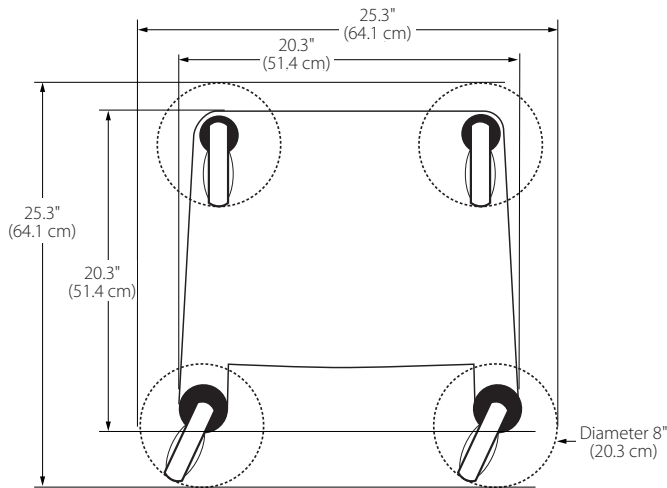


Figure 5
Wheelbase

Slideout Keyboard Tray

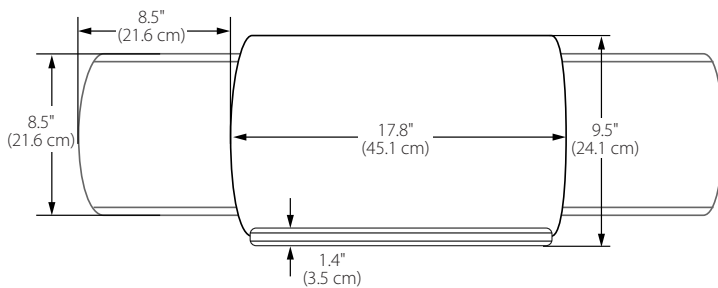


Figure 6
Dimensions

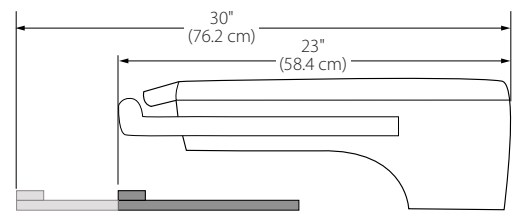


Figure 7
In/Out Range

Dimensions and Movement Range

Ergonomic Keyboard Tray

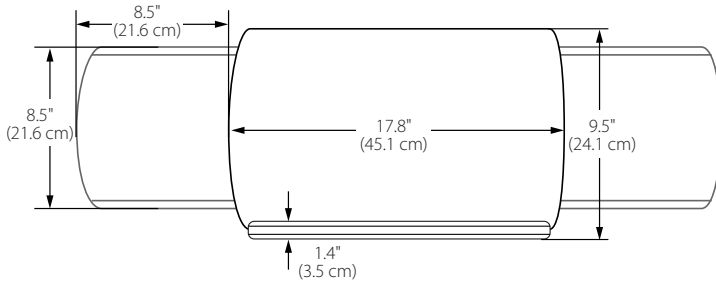


Figure 8
Dimensions

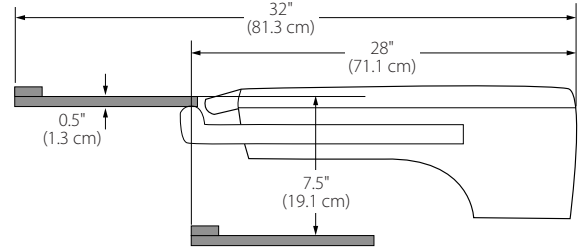


Figure 9
In/Out and Height Range

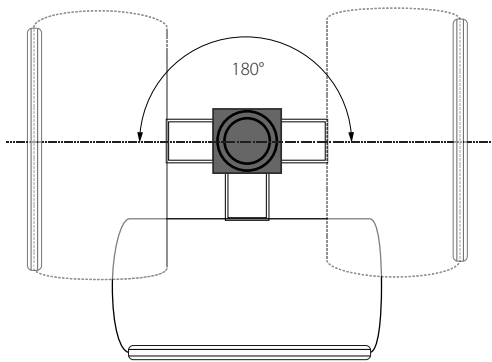


Figure 10
Pan

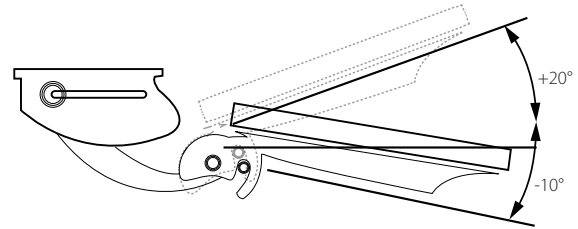


Figure 11
Tilt



Please visit www.amico.com for all technical specifications, installation instructions, and to learn more about other great Amico products and equipment. Detailed CAD drawings available upon request.

Amico Accessories Inc. 85 Fulton Way, Richmond Hill, ON L4B 2N4, Canada
Toll Free Tel: 1.877.264.2697 | Tel: 905.763.7778 | Fax: 905.763.8587

www.amico.com