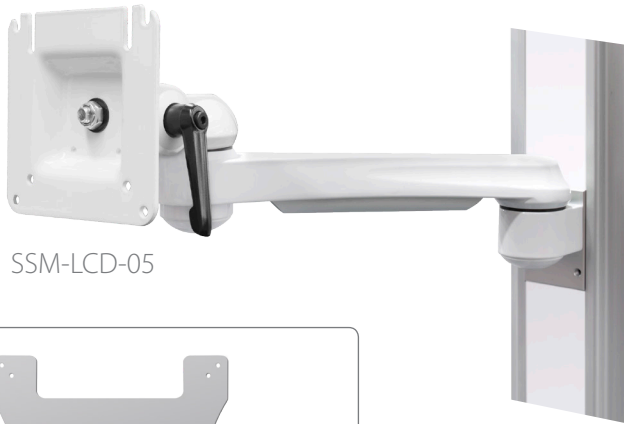


Television Mounting

LSM Large Screen Mount SSM



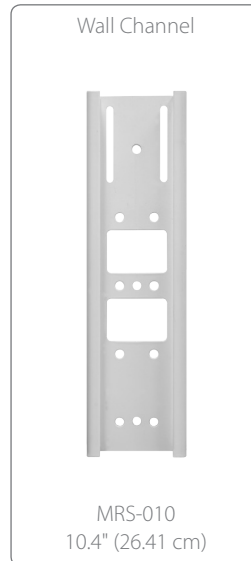
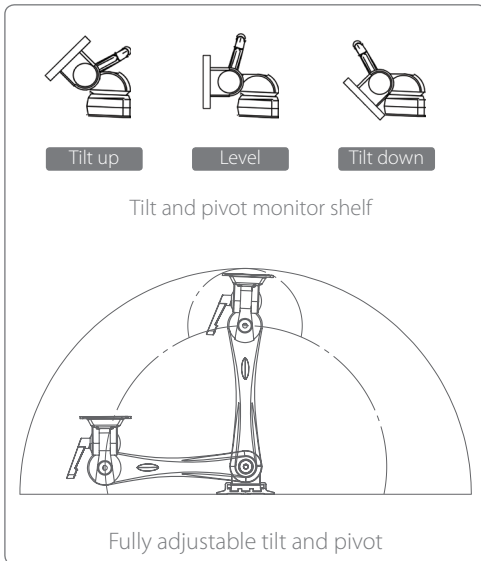
SSM-LCD-05

Features:

- 180° side to side motion
- Can be mounted directly to any equipment rail or wall channel
- Integrated cable management
- Color options available (white is standard)
- Swivel arm provides lateral functionality
- Tilt and swivel adjustments



MON-VESA-ADA-LG



Specifications:

SSM-LCD-05

- 9" or 12" (23 cm or 30 cm)
- 30 lbs (13.6 kg) single arm rating
- 75 x 75 mm and 100 x 100 mm mounting pattern

MON-VESA-ADA-LG

- 100 x 200 mm and 300 x 300 mm VESA mounting pattern

Distributed By:



Please visit www.amico.com for all technical specifications, installation instructions, detailed AutoCAD drawings and more Mounting Solutions.

