

Installation Instructions

Infusion Extension Arm



Amico

Preface

IMPORTANT, PLEASE READ CAREFULLY

Thank you for your purchase with Amico Accessories Inc.

The Amico Roll Stand is designed for long lasting performance, provided the user complies with assembly and maintenance procedures. This instruction manual is your guide to ensuring that you get the best performance out of your equipment. Amico Accessories is not responsible for any damage as a result of (but not limited to) abuse and other malfunctions that may be a direct or indirect result of failure to comply with the instructions provided in this manual.

Please Note these Key Words and Symbols



WARNING: Steps where extra care should be taken to prevent injuries and damage.



NOTE: Steps that point out helpful information.

Medical Facility Responsibilities

Preventive maintenance checks must be performed regularly to maintain the quality and performance of this product. Any parts that may be broken, missing, worn, distorted, or contaminated in any way should not be used and all affected parts should be replaced immediately. Should the necessity of any repair be suspected; please contact your local distributor or call 877-264-2697.

Table of Contents

Section 1: Product Specifications	4-5
Features	4
Specifications	4
Technical Drawings	4
Product Classifications	5
Section 2: Installation Preparation	6-7
What's in the Box?	6
Parts Legend	6
Tool	7
Section 3: Installation	7-10
Assembling Post to Swivel Disks	7
Identifying Top and Bottom Posts	7
Installation to Mounting Platform	8
Mounting to Monitor Rail System (MRS) (-M)	8
Installation to Horizontal Rail System (ARS) (-AT)	9
Double Rail	9
Single Rail	9
Mounting to Amico Vertical Rail System (-V)	10
Section 4: Device Installation	10-11
Mounting IV Bags	10
Mounting Infusion Pump	11
Section 5: Adjustments	11-12
Rotation of Arms	11
Adjusting Tensions at the Head	12
Hook Adjustment	12
Section 6: Cable Management	13
Section 7: Troubleshooting, Preventative Maintenance, Storage, & Cleaning	13-14
Troubleshooting	13
Preventative Maintenance	14
Storage	14
Cleaning	14
Warranty	15

Section 1: Product Specifications

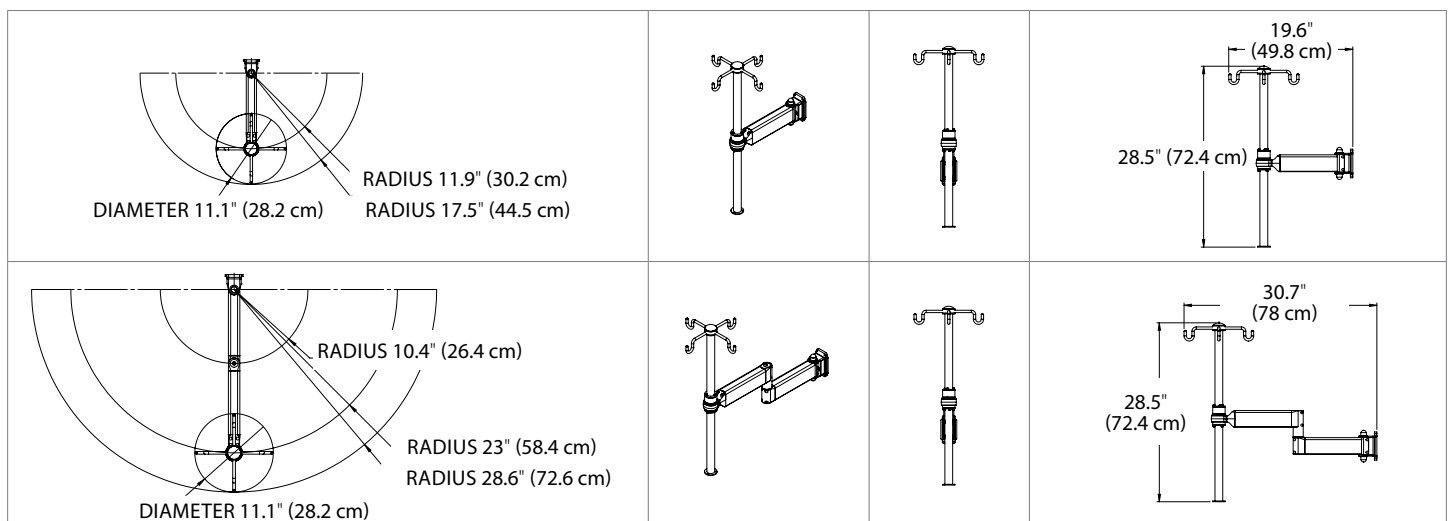
Features

- Available with single or double extension options for customization
- Four (4) optional hooks for mounting IV Bags safely and securely
- 360° post rotation for easy access
- 180° arm rotation for maneuvering and positioning
- Swivel tension adjustable to user preference
- Includes integrated cable management for improved workflow
- Post diameter of 1.25" (3.2 cm) for mounting multiple infusion pumps
- Post length of 12" (30.5 cm) each, providing 24" (61 cm) of total mounting space
- Direct mounting options available for headwall, pendant, and anesthesia machines
- Easy to clean using standard medical grade materials

Specifications

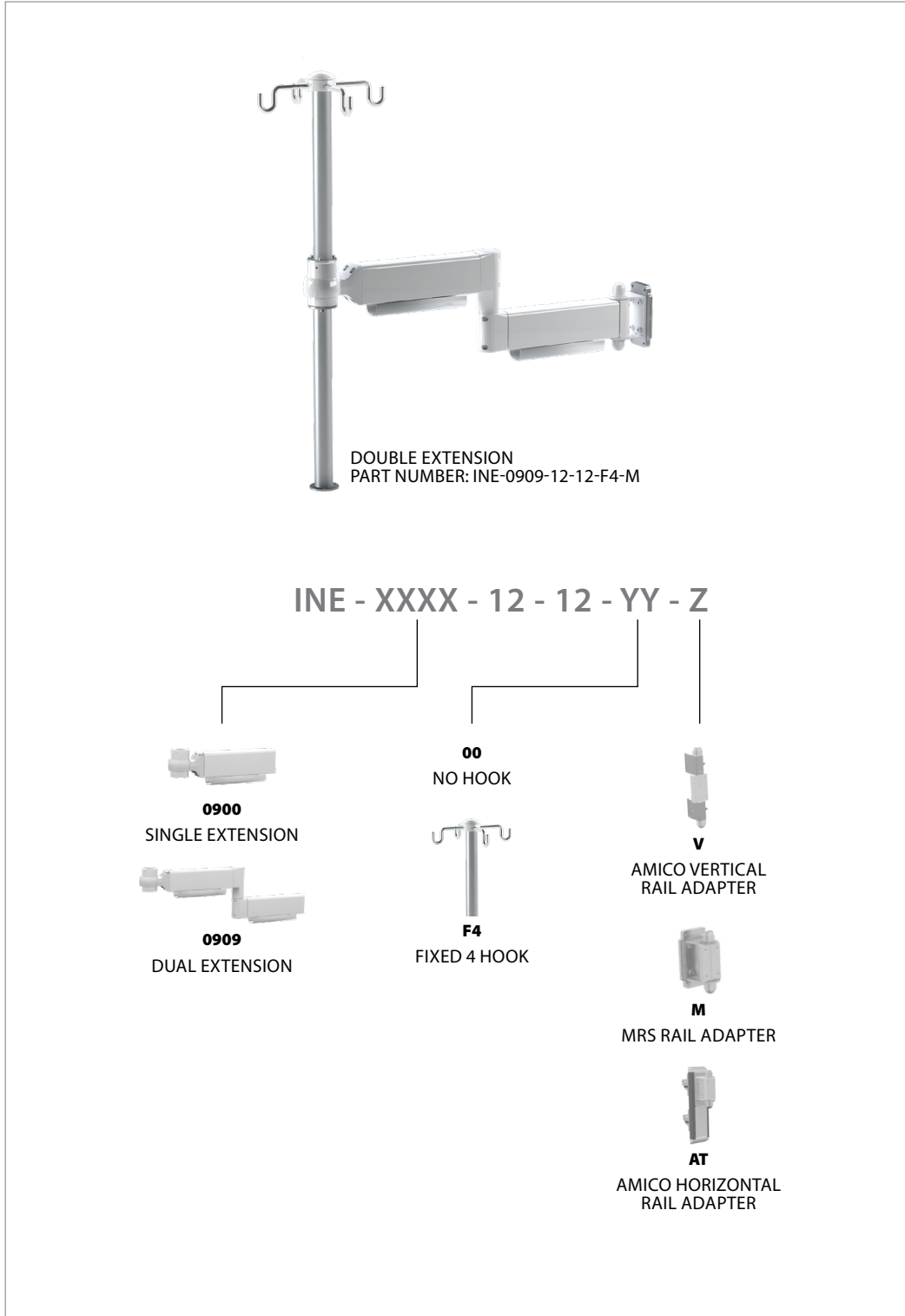
- Single extension (-0900): 19.6" (49.80 cm) L x 28.5" (72.4 cm) H
- Double extension (-0909): 30.7" (78.0 cm) L x 28.5" (72.4 cm) H
- Total product weight rating: 40 lbs (20.41 kg) total
- Weight rating per hook: 5 lbs (2.6 kg)
- Post diameter: 1.25" (3.2 cm)
- Post length: 12" (30.5 cm) each

Technical Drawings



Section 1: Product Specifications

Product Classifications

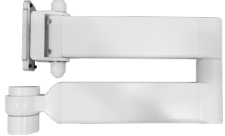
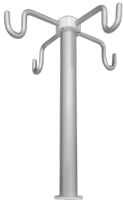




Section 2: Installation Preparation

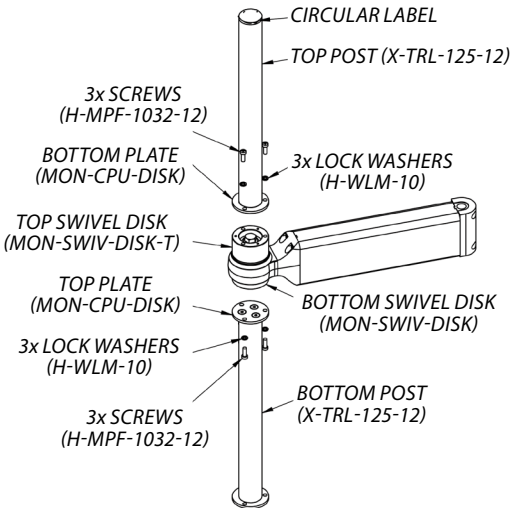
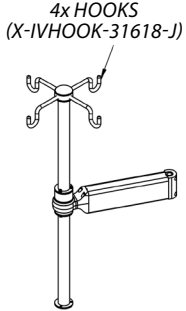
What's in the Box?



NOTE: Please ensure that your contents match the list as outlined below. If not, please contact Amico Accessories at 1-877-264-2697.

			
Extension Arm	Top Post (4 hooks) OR Top Post (no hook)	Bottom Post	Hardware Kit (2x sets) Cable Management (2x) Installation Manual (1x)

Parts Legend



MANUFACTURER PART NUMBER	PART DESCRIPTION		
H-MPF-1032-12	Screws		
MON-CPU-DISK	Bottom Plate		
MON-SWIV-DISK-T	Top Swivel Disk		
MON-CPU-DISK	Top Plate		
H-WLM-10	Lock Washers		
X-TRL-125-12	Top Post		
MON-SWIV-DISK	Bottom Swivel Disk		
X-TRL-125-12	Bottom Post		
X-IVHOOK-31618-J	Hooks		
		Figure 1	Figure 2

Section 2: Installation Preparation

Tools



NOTE: AMICO DOES NOT PROVIDE TOOLS NECESSARY FOR ASSEMBLY.

	
#2 Phillips Screwdriver	1/8" Hex Key

Section 3: Installation

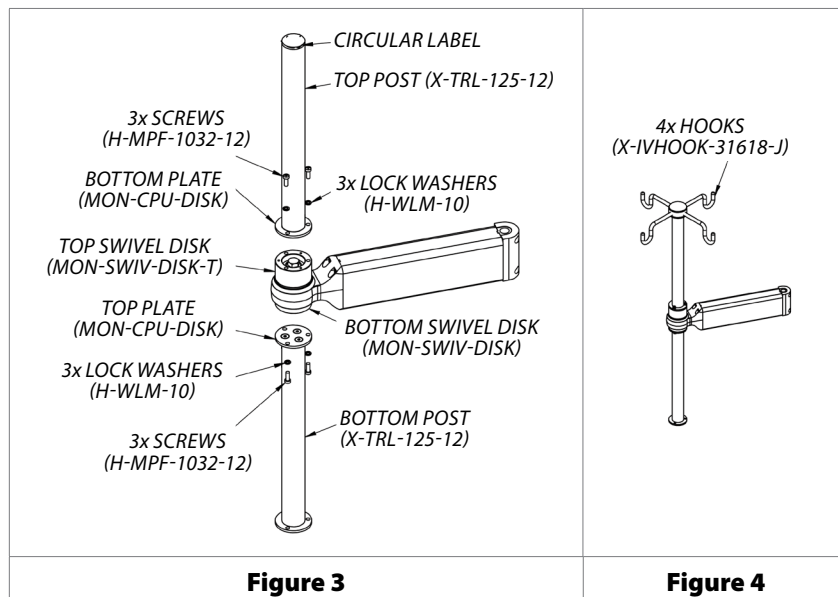
Assembling Posts to SWIVEL DISKS

1. Using a #2 Phillips head screwdriver or bit (not provided), insert **3x PAN HEAD SCREWS** through **3x LOCK WASHERS**, through **BOTTOM PLATE** of **TOP POST** and into **TOP SWIVEL DISK** as shown in **Figure 3**.
2. Repeat Step 1 for the **BOTTOM POST** as shown in **Figure 3** (fasteners will go through **TOP PLATE** of **BOTTOM POST** into **BOTTOM SWIVEL DISK**).

Identifying TOP and BOTTOM POSTS

For no hook configurations, the **TOP POST** will have a **CIRCULAR LABEL** on the **TOP PLATE**.

3. For hook configurations, the **TOP POST** will have **4x HOOKS** instead of a **TOP PLATE**. (**Figure 4**)



Section 3: Installation

Installation to MOUNTING PLATFORM



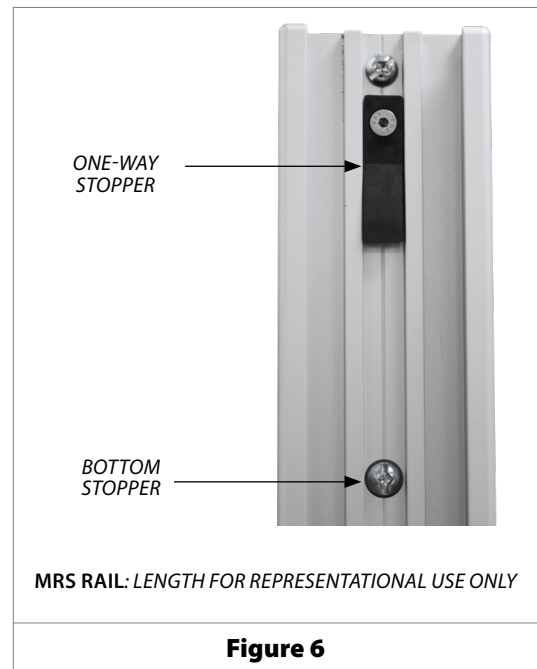
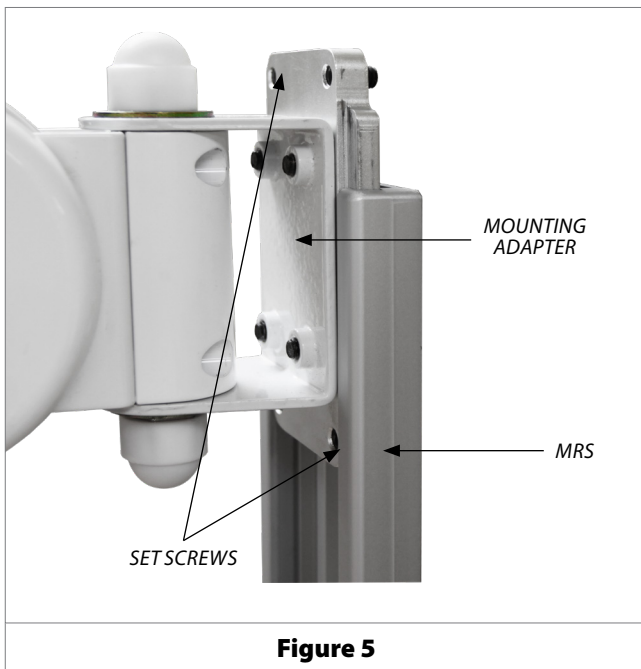
WARNING: Do not attempt to mount the Infusion Arm with any devices already installed. Doing so could result in damage or injury.



WARNING: Ensure **RAIL** is stable and properly installed before mounting.

Mounting to MONITOR RAIL SYSTEM (MRS) (-M)

1. Lift up the **INFUSION ARM** and guide the **MOUNTING ADAPTER** into the top of the **MRS RAIL** as seen in **Figure 5**.
2. Once the **ARM** is positioned at the desired height in the **MRS RAIL**, tighten all **4x SET SCREWS** to the tightest possible position on the **MOUNTING ADAPTER** using a 1/8" hex key.

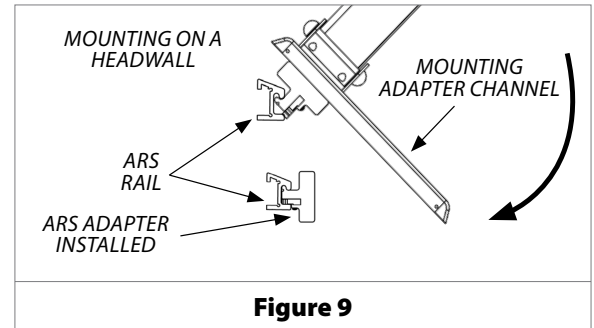
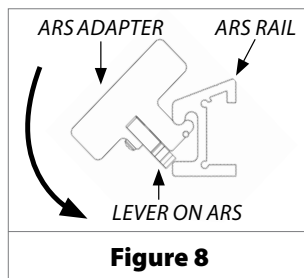
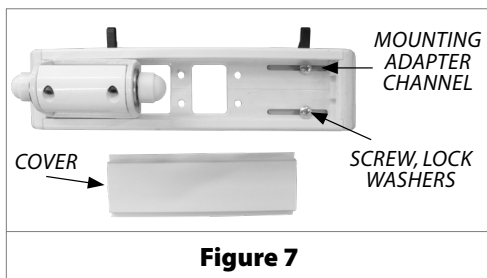


Section 3: Installation

Installation to HORIZONTAL RAIL SYSTEM (ARS) (-AT)

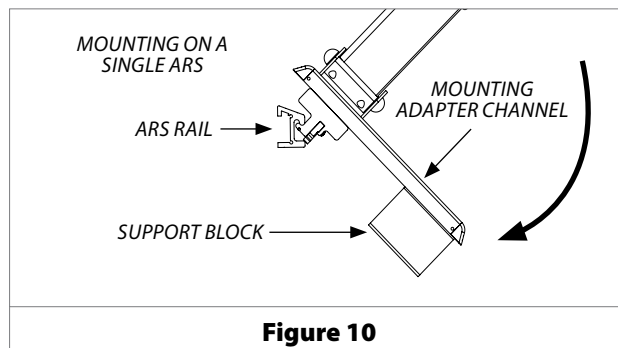
Double Rail

1. If mounting to a headwall, determine the best location for installation and remove the **MOUNTING ADAPTER CHANNEL COVER** to access the **2x SCREWS** connecting the **CHANNEL** to the **BOTTOM ARS ADAPTER**. Remove the **2x SCREWS** to free the **BOTTOM ARS ADAPTERS** (Figure 7). Install this **BOTTOM ARS ADAPTER** into the **BOTTOM RAIL** by angling the upper lip into the inside lip of the **BOTTOM ARS RAIL**, pull the **LEVER** back against the **ARS ADAPTER** and push the **ADAPTER** into the **RAIL**. Once secure, release the **LEVER**. (Figure 8)
2. Mount the Infusion Arm by installing the remaining **ARS ADAPTER** onto the **TOP ARS RAIL** in the same way as step 1, ensuring the **2X HOLES** on the **BOTTOM ARS ADAPTER** can be seen through the **MOUNTING ADAPTER CHANNEL**, secure the **MOUNTING ADAPTER CHANNEL** to the **BOTTOM ARS ADAPTER** using **SCREWS** and **LOCK WASHERS** you removed in step 1. (Figure 9)
3. Replace the **CHANNEL COVER** onto the **MOUNTING ADAPTER CHANNEL**.



Single Rail

1. If mounting to a single rail, angle the upper lip of the **ARS ADAPTER** of the **MOUNTING ADAPTER CHANNEL** into the inside lip of the **RAIL**, hold the tab on the **ARS ADAPTER** and push into the **RAIL**. Once secure, release the tab and ensure the **SUPPORT BLOCK** is sitting flush and firmly against the wall. (Figure 10)
2. Install the locking bar by placing it on top of the **ARS ADAPTER** of the **MOUNTING ADAPTER CHANNEL** so it is squeezed by the **ADAPTER** and **ARS RAIL**.



Section 3: Installation

Mounting to Amico VERTICAL RAIL SYSTEM (-V)



WARNING: To prevent the **V-ADAPTER** from falling down the **CHANNEL**, ensure that the **SCREWS** are fastened as tight as possible. Verify no movement is present between the **ADAPTER** and the **RAIL**.



NOTE: Before installation, ensure **2x NUTS** and **2x KNOBS** are loose to the tip of the **V-ADAPTER SCREWS**. This will allow the **HEAD OF THE V-ADAPTER SCREWS** to adjust into the profiles of the **VERTICAL RAIL**.

1. Angle the Infusion Arm from either side and guide the **HEADS OF THE TOP AND BOTTOM SCREWS** into the channel of the **RAIL**. (Figure 11-13)
2. Ensure the **FLANGE** on the **ADAPTER** is properly aligned with the **RAIL**.
3. Position the **ARM** to the desired height and fasten **2x KNOBS** and **2x NUTS** (12 mm) to the tightest possible position. Cover the **NUTS** with the **2x PLASTIC CAPS** provided. (Figure 14)

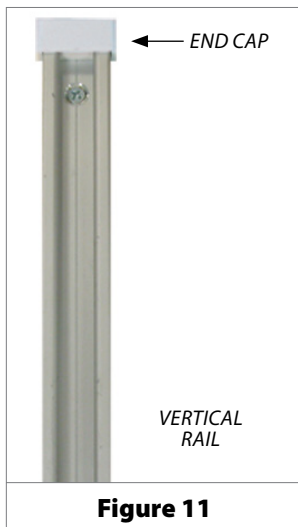


Figure 11

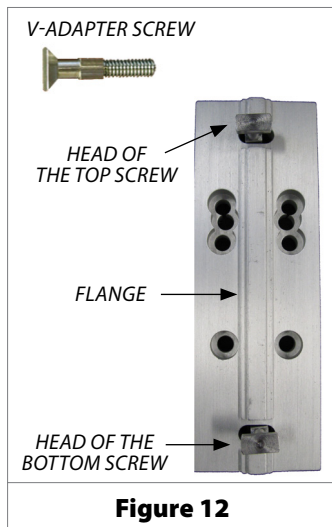


Figure 12

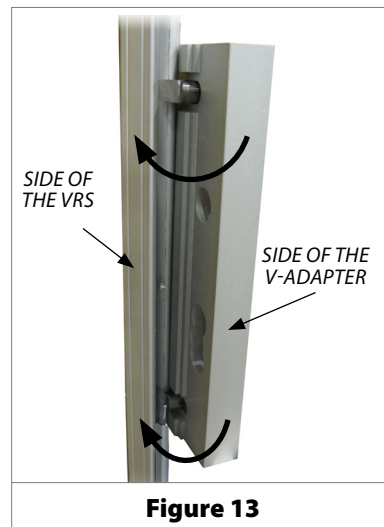


Figure 13

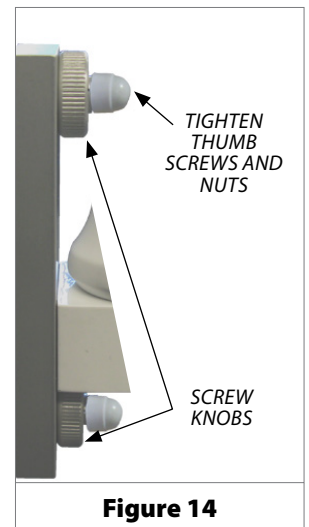


Figure 14

Section 4: Device Installation

Mounting IV Bags



NOTE: The Infusion Extension Arm is rated for 40 lbs total with a maximum of 5 lbs per **HOOK** (hook configurations only) and 15 lbs mounted to the **BOTTOM POST**.

- To mount IV Bags (hook configurations only), carefully hang IV Bags from **HOOKS** attached to the **TOP POST** using the IV Bag mounting space. It is advised to only mount 1x IV Bag per **HOOK**.

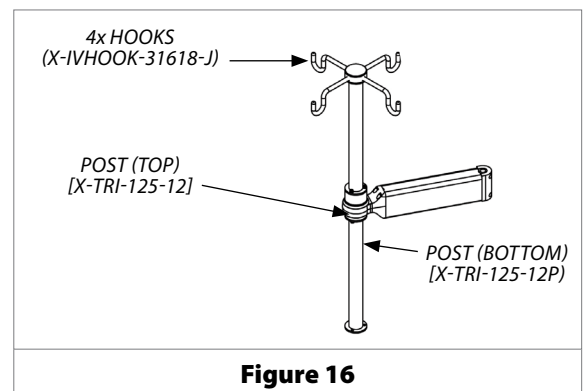


Figure 16

Section 4: Device Installation

Mounting Infusion Pump

Follow the Infusion Pump manufacturer's instruction to mount device onto the 1.25" (3.2 cm) diameter post.

Section 5: Adjustments

Rotation of Arms



WARNING: The Infusion Arm has approximately 180° rotation. Ensure proper clearance to avoid collision.

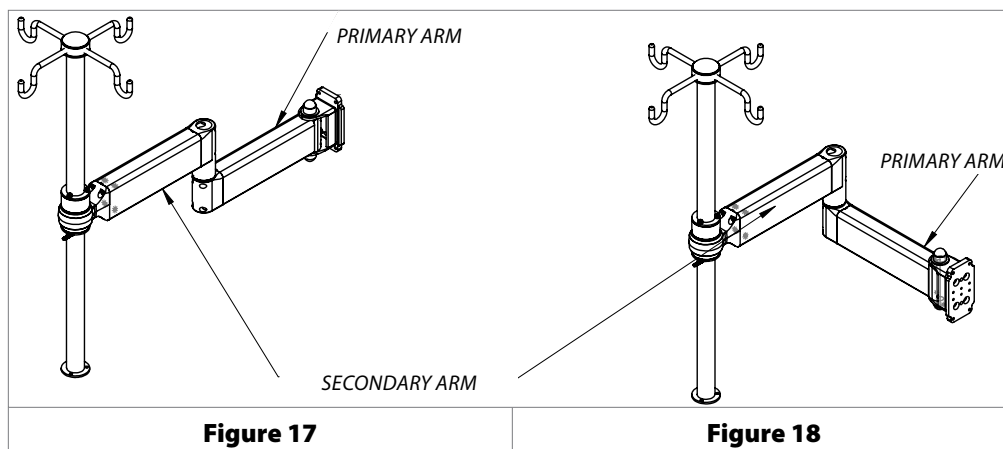


NOTE: If the Arm becomes too difficult to rotate or too loose, please contact Amico Accessories.



NOTE: Adjusting the rotational tension of the Extension Arms can be done by loosening or tightening the **BOLT** at the joints of the Arms and the **ADAPTER** using a 12" socket at the **HEAD**, and ¾" socket wrench or equivalent tool at the **ADAPTER** end. Be careful not to over loosen.

To rotate the **PRIMARY ARM**, push on the side of the **PRIMARY ARM** (near the center). To rotate the **SECONDARY ARM** (double extension configurations only), hold the **PRIMARY ARM** and push the side of the **SECONDARY ARM**. **Figure 17** shows the product in the straight position while **Figure 18** shows the product in folded position (**SECONDARY ARM** folded in).



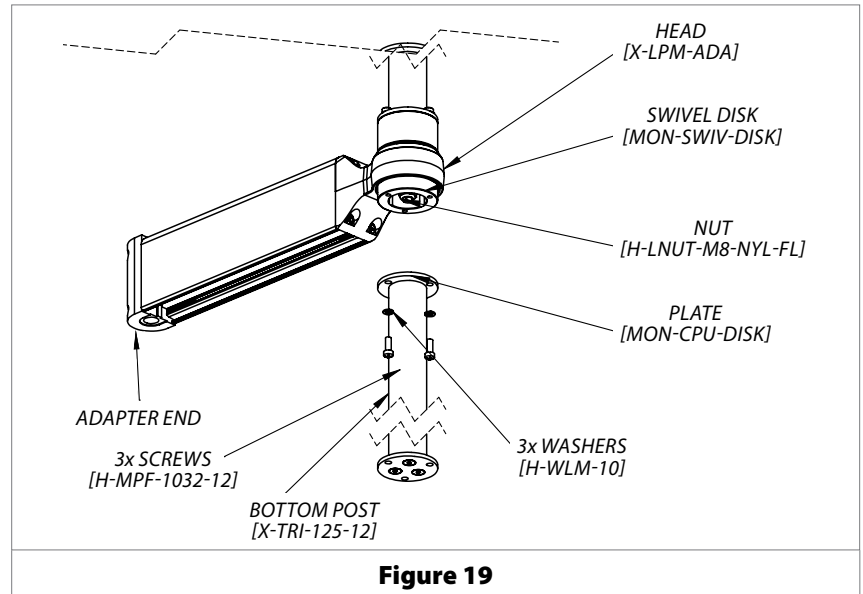
Section 5: Adjustments

Adjusting Tension at the Head



WARNING: Do not attempt to adjust the tension with any devices mounted. Unload the **INFUSION ARM** before proceeding.

1. Remove **BOTTOM POST** by removing the **3x SCREWS** and **3x WASHERS** to expose **NUT**.
2. Tighten or loosen **NUT** using a 1/2" socket (not provided) until desired tension is achieved (tighten for higher tension and loosen for lower tension).
3. Reassemble **BOTTOM POST** by inserting the **3x SCREWS** through **3x WASHERS** through **PLATE** in **BOTTOM POST** and into **SWIVEL DISK**. Ensure all **SCREWS** are tight.



Hook Adjustment

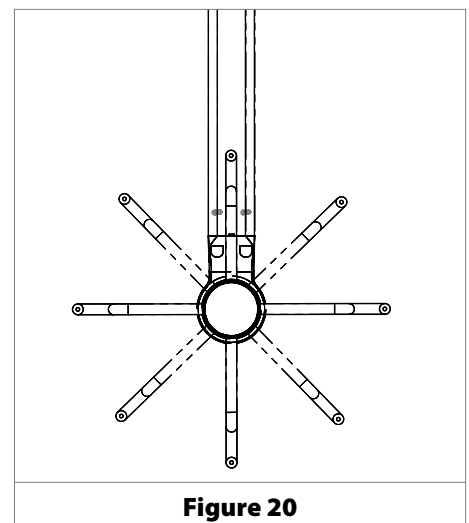
The **HOOKS** can be rotated 360°.

To Rotate **HOOKS**

- Grasp **2x HOOKS** and carefully rotate to desired position. **Figure 20** shows the **HOOKS** rotated 45°.



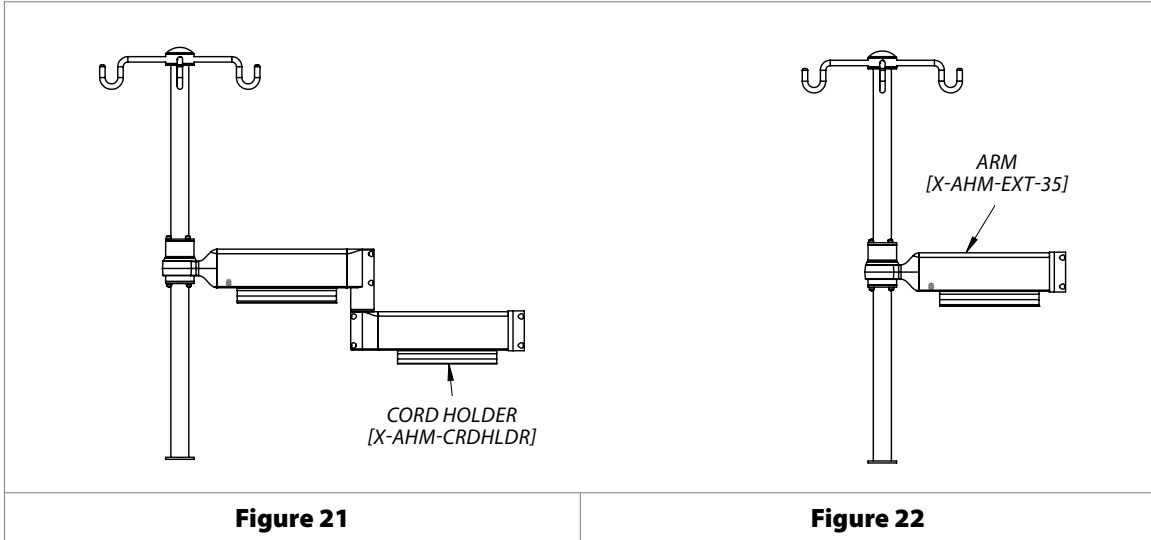
NOTE: If rotating **HOOKS** is difficult, see previous section (Adjusting Tension at the Head).



Section 6: Cable Management



NOTE: Double extension configurations may use up to **2x CORD HOLDERS** while single extension configurations may only use **1x CORD HOLDER** as shown below in **Figures 21** and **22**.



Section 7: Troubleshooting, Preventive Maintenance, Storage, & Cleaning

Troubleshooting

SYMPTOM	POSSIBLE CAUSE	SOLUTION
Adapter is loose in rail	Loose mounting configuration	Tighten set screws and refer to instructions (Installation to Mounting Platform).
Top or bottom post is loose on extension	Improper installation to posts	Remove screws and refer to instructions (Assembling Posts to Swivel Disks).
Adapter cannot raise or lower	Channel stoppers engaged	Ensure channel stopper is unfastened and removed prior to rail installation. Reinstall upon completion.

Section 7: Troubleshooting, Preventive Maintenance, Storage, & Cleaning

Preventive Maintenance

It is recommended that once every three (3) months, all locks, bolts, and screws are visually inspected for signs of product wear and tear or damage. Check the product for device looseness in the mount or orientation, and ensure the adapter is secured to the rail or wall channel system. **Ensure the set screws on the channel and two thumb screws are fastened to the tightest possible position and ensure device is secure.**

Storage

DO NOT place the transformer in any damp or dripping location. It should be stored in a ventilated and dry location.

Cleaning

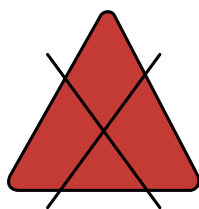


WARNING: The cleaning chemicals and methods below are not meant for controlling any infections. It shall be the responsibility of the hospital or the hospital's infection control officer to sanitize the equipment.



WARNING: Please do not spray any chemical directly onto the Infusion Extension Arm. Apply onto a soft cloth and wipe clean to prevent chemicals getting into the internal components of the Infusion Extension Arm.

The mounting assembly can be cleaned with most mild, non-abrasive solutions commonly used in the hospital environment (e.g. diluted bleach, ammonia, alcohol). The surface finish will be permanently damaged by strong chemical and solvents such as acetone and trichloroethylene. Steel wool or other abrasive material should never be used. Damage caused by the use of unapproved substances or processes will not be warranted. It is recommended that you test any cleaning solution on a small area of the RS model that is not visible to verify compatibility. Never submerge the RS model and do not allow liquids to enter. Wipe any cleaning agents off of the RS models immediately using a water-dampened cloth. Dry thoroughly after.

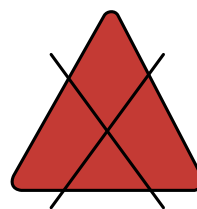


No Acetone

Acetone is a colorless, mobile, flammable liquid.

ACETONE

Figure 23



No Trichloroethylene

Trichloroethylene is a chlorinated hydrocarbon commonly used as an industrial solvent.

TRICHLOROETHYLENE

Figure 24

Warranty

Amico Accessories Inc. warrants all mounting accessories to be free from defects in material and workmanship for a period of twelve (12) months from the date of shipment. Within this period Amico Accessories Inc. will repair or replace any part which is proven to be defective.

Amico Accessories Inc. will warrant its materials to be free from defect for an additional period of four (4) years, (five [5] years from the date of shipment). Within this period, Amico Accessories Inc. will replace any part which is proven to be defective, at no charge. Shipping and Installation costs after the first twelve (12) months will be borne by the Customer.

This warranty is valid only when the product has been properly installed according to Amico Accessories Inc. specifications, used in a normal manner and serviced according to factory recommendations. It does not cover products that are not manufactured by Amico Accessories Inc. It does not cover failures due to damage which occurs in shipments or failures which result from accidents, misuse, abuse, neglect, mishandling, alteration, misapplication or damage that may be attributable to acts of God.

Amico Accessories Inc. shall not be liable for incidental or consequential damages resulting from use of equipment.

All claims for warranty must first be approved by Amico Accessories Inc. A valid Return Goods Authorization (RGA) number must be obtained from Amico Accessories Inc. prior to commencement of any service work. Warranty work, which has not been pre-authorized by Amico Accessories Inc., will not be reimbursed.

AMICO ACCESSORIES INC. DOES NOT HONOR VERBAL STATEMENTS CONCERNING THE WARRANTY.

The distributor and/or dealer are not sanctioned to create verbal warranties about the product described in this agreement. Any statements will not be honored or be made part of the agreement of sale. This document is the final complete and exclusive terms of the agreement.

THIS WARRANTY IS INCLUSIVE AND REPLACES ALL OTHER WARRANTIES.

Amico Accessories Inc. shall not, under any circumstances be liable for incidental or consequential damages including, but not limited to, profit, loss of sales or injuries to person(s) or property. Correction of noncompliance as noted above will result in completion of all liabilities of Amico Accessories Inc., whether based on agreement, neglect or changed materials, designs or specifications without notice.

All claims for warranty must first be approved by Amico Accessories Inc. Service Department: accessories@amico.com or 1.877.264.2697. A valid Return Goods Authorization number must be obtained from Amico Accessories Inc. prior to commencement of any warranty claim.

www.amico.com

Amico Accessories Inc. | 85 Fulton Way, Richmond Hill, ON L4B 2N4, Canada
Toll Free Tel: 1.877.264.2697 | Tel: 905.763.7778 | Fax: 905.763.8587
Email: info@amico-accessories.com | www.amico.com