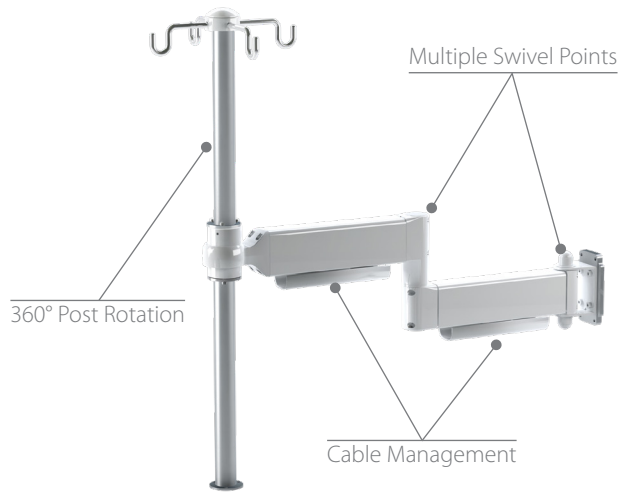


Infusion Extension Arms



Double Extension
Part Number: INE-0909-12-12-F4-M



Single Extension
Part Number: INE-0900-12-12-F4-M

Features:

- Available with single or double extension options
- Four (4) optional hooks for mounting IV bags safely and securely
- 360° post rotation for easy access
- Arm rotation for maneuvering and positioning
- Swivel tension adjustable to user preference
- Includes integrated cable management for improved workflow
- Post diameter of 1.25" (3.2 cm) for mounting multiple infusion pumps
- Post length of 12" (30.5 cm) each, providing 24" (61 cm) of total mounting space
- Direct mounting options available for headwall, pendant, and anesthesia machines
- Easy to clean using standard medical grade materials
- Durable aluminum construction
- Flexible mounting solutions to maximize workspace

Specifications:

- Single arm (-0900):
19.6" (49.8 cm) L x 28.5" (72.4 cm) H
- Double arm (-0909):
30.7" (78 cm) L x 28.5" (72.4 cm) H
- Load rating of 40 lbs (18.1 kg)
- 5 lbs (2.3 kg) weight rating per hook

Mounting Options:

- A** Amico Horizontal Rail Mount
(Compatible with Amico and Modular)
- V** Amico Vertical Rail Mount
(Compatible with Amico and Modular)
- M** Monitor Rail Mount

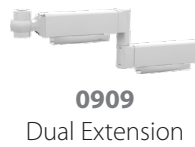
Amico Accessories includes all adapters required for the above rail systems

Product Classification



Double Extension
Part Number: INE-0909-12-12-F4-M

INE - XXXX - 12 - 12 - YY - Z

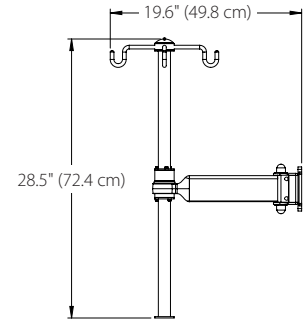
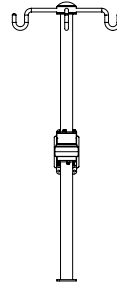
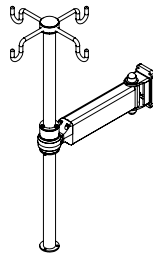
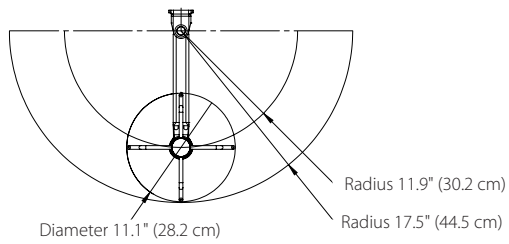


00
No Hook



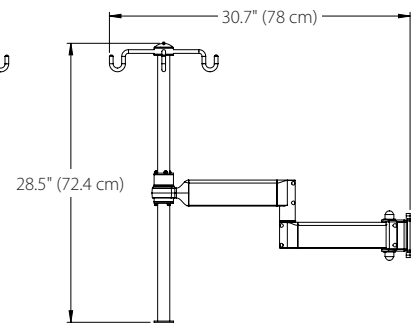
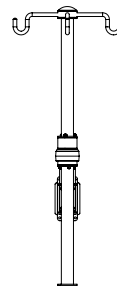
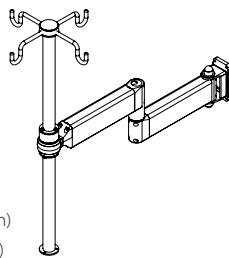
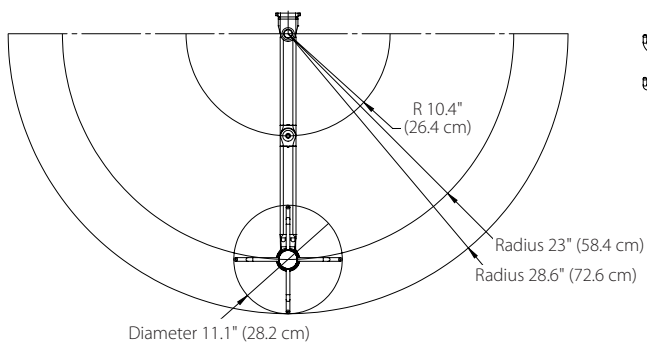
Single Extension

Part Number: INE-0900-12-12-F4-M



Double Extension

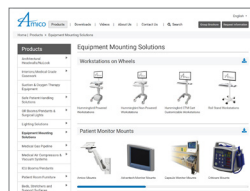
Part Number: INE-0909-12-12-F4-M



*Monitor rail (-M) configuration shown above



Please visit www.amico.com for all technical specifications, installation instructions, detailed AutoCAD drawings, and more Mounting Solutions.



Distributed By: