

Installation Instructions

Hummingbird Perch Rail & Accessories



Preface





Important, Please Read Carefully

Thank you for your purchase with Amico.

This unit is designed for long lasting performance, providing the end user complies with assembly and maintenance procedures. This Instruction Manual is your guide to ensure that you get the best performance out of the equipment. Amico Accessories Inc. is not responsible for any damage as a result of (but not limited to) abuse and other problems that may be a direct or indirect result of failure to comply with the instructions provided in this manual.

Glossary of Warning Symbols

The meaning of symbols appearing in this Guide, on the Workstation, or on the Battery System are shown on the chart below. These symbols alert you to safety conditions that demand your attention. You should take proper precaution and follow the instruction on the label and/or this guide to minimize the risk of injury or damaging the equipment.

Symbol	Signal Word	Level of Hazard
	WARNING	Indicates a potentially hazardous situation which, if not avoided, could result in death or serious injury.
	CAUTION	Indicates a potentially hazardous situation which, if not avoided, could result in moderate to serious injury.
	NOTE	Follow operating instructions.
	INSTRUCTIONS	Follow operating instructions.

Medical Facility Responsibilities

Preventive maintenance checks must be performed regularly to maintain the quality and performance of this product. Any parts that may be broken, missing, worn, distorted, or contaminated in any way should not be used and all affected parts should be replaced immediately. Should the necessity of any repair be suspected; please contact your local distributor or call 877-264-2697.

Table of Contents

Section 1: Product Specifications	4
Features	4
Perch Rail (HMA-PR-A-18)	4
Perch Accessory on Perch Rail (HMA-_____-FTA)	4
Perch Accessories Next to Display/Monitor (HMA-_____-LA9)	4
Perch Accessories Behind the Display/Monitor (HMA-_____-FD9)	4
Perch Accessories Extended on Perch Rail (HMA-_____-LSA)	4
Perch Accessory Adjustment Hardware Kit (HMA-PR-ADJ-KIT)	4
Specifications	4
LCD Monitor Weight Limit on Hummingbird Cart - Used with Perch and Accessories Installed	5
Section 2: Installation Preparation	5
Installation Tools	5
Typical Installation Reference	5
Section 3: Installation of Perch Rail	6
HMA-PR-A-18	6
Section 4: Installation of Perch Accessory on Perch Rail	7
HMA-050504-FTA / HMA-BARCD-FTA / HMA-CAMHLD-FTA / HMA-IVHOOK2-FTA / HMA-BARCD-LSA	7
Section 5: Installation of Perch Accessory with 9" Drop Bracket	7
HMA-050504-LA9 / HMA-BARCD-LA9 / HMA-BARCDHLD2-LA9 / HMA-050504-FD9 / HMA-BARCD-FD9	7
Section 6: Adjustment	11
Adjusting Perch Accessory with FTA adapter	11
Adjusting Perch Accessory with 9" Drop Bracket	11
Switching the Accessory on 9" Drop Bracket from Right to Left Side	11
Adjusting Position of 9" Drop Bracket On the Perch Horizontally	13
Adjusting the Height of the Accessory along the 9" Drop Bracket	13
Section 8: Troubleshooting, Preventative Maintenance, Storage, & Cleaning	15
Troubleshooting	15
Preventative Maintenance	15
Cleaning	15
Section 9: Amico Warranty Policy	16
Notes	17

Section 1: Product Specifications

Features

Perch Rail (HMA-PR-A-18)

18" rail surface for mounting light weight accessories, at an ergonomic height to support better ergonomics, efficiency, and patient-practitioner communications.

Perch Accessory on Perch Rail (HMA-_____-FTA)

Design to position the accessory behind or above the workstation display for easy access.

Perch Accessories Next to Display/Monitor (HMA-_____-LA9)

Designed with a 9" drop and 90° turn to position the accessory next to the workstation display facing the user for optimum ergonomics and efficiency.

Perch Accessories Behind the Display/Monitor (HMA-_____-FD9)

Designed with a 9" drop to position the accessory behind the workstation display for easy access while out of sight when not needed, for Tethered Scanning Gun (HMA-BARCD-FD9), or Small Supplies (HMA-050504-FD9).

Perch Accessories Extended on Perch Rail (HMA-_____-LSA)

Designed to position the accessory on the extended end of the perch rail.

Perch Accessory Adjustment Hardware Kit (HMA-PR-ADJ-KIT)

Replacement Hardware Kit for End Caps that is required to adjust the height or position of the accessories.

Specifications

Part Number	Description	Physical Dimensions	Physical Weight	Maximum Load	
HMA-PR-A-18	18" Perch Rail for Hummingbird cart.	18.2" x 2.5" x 1.6" (46.2 cm x 6.4 cm x 4.2 cm)	1.0 lbs (0.45 kg)	5 lbs (2.28 kg) on each side, or 10 lbs (4.55 kg) in total	
HMA-BARCDHLD2-LA9	Wireless Barcode Scanner dock holder for HMW Perch mount, 9" drop and 90° turn.	4.2" x 10.2" x 11.4" (10.7 cm x 26.0 cm x 29.0 cm)	1.8 lbs (0.84 kg)		
HMA-050504-LA9	5" x 5" x 4" Basket for HMW Perch mount, 9" drop and 90° turn.	6.25" x 9.0" x 6.0" (15.9 cm x 22.9 cm x 15.2 cm)	1.5 lbs (0.69 kg)		
HMA-BARCD-LA9	Universal Barcode Scanner holder for HMW Perch mount, 9" drop and 90° turn.	6.25" x 9.9" x 2.5" (15.9 cm x 25.1 cm x 6.4 cm)	0.8 lbs (0.35 kg)		
HMA-050504-FD9	050504 Basket for Hummingbird Perch mount, 9" drop.	5.5" x 6.0" x 9.0" (14.0 cm x 15.2 cm x 22.9 cm)	1.3 lbs (0.59 kg)		
HMA-BARCD-FD9	Universal Barcode Scanner holder for HMW Perch, 9" drop.	1.75" x 9.0" x 4.5" (4.5 cm x 22.9 cm x 11.4 cm)	0.7 lbs (0.26 kg)		
HMA-050504-FTA	5" x 5" x 4" Basket for Hummingbird Perch Mount.	4.0" x 8.0" x 3" (10.2 cm x 20.7 cm x 7.8 cm)	1.5 lbs (0.68 kg)		
HMA-BARCD-FTA	Universal Barcode Scanner holder for Hummingbird Perch Mount.	5.0" x 3.5" x 2.0" (12.7 cm x 8.9 cm x 5.1 cm)	0.5 lbs (0.23 kg)		
HMA-CAMHLD-FTA	Webcam Mount for Hummingbird Perch Mount.	4.4" x 11.0" x 14.0" (11.2 cm x 27.9 cm x 5.1 cm)	2.4 lbs (1.09 kg)		
HMA-IVHOOK2-FTA	IV-Hook Duplex (2-Hook) for Hummingbird Perch Mount	10" x 7" x 4" (25.4 cm x 17.8 cm x 10.2 cm)	0.93 lbs (0.42 kg)		
HMA-BARCD-LSA	Universal Barcode Scanner holder for HMW Perch mount, straight extended.	7.25" x 4.25" x 3" (18.4 cm x 10.8 cm x 7.6 cm)	0.67 lbs (0.30 kg)		
HMA-PR-ADJ-KIT	End Cap Hardware Kit for HMW Perch, Bump, Ergonomic rail, or accessories with LA9/FD9 (only service part number).	4.0" x 4.0" x 1.0" (10.2 cm x 10.2 cm x 2.5 cm)	0.1 lbs (0.05 kg)		Not applicable

Section 1: Product Specifications

LCD Monitor Weight Limit on Hummingbird Cart - Used with Perch and Accessories Installed

To ensure the safety and stability of your equipment, do not use the Perch Accessory Rail or attach Perch accessories when the Workstation display's weight exceeds the specified limit stated below. Exceeding this weight capacity can compromise the structural integrity of the mounting system, leading to potential damage or injury. Always verify that your monitor's weight is within the recommended range before installation.

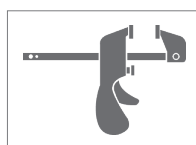
Hummingbird Cart Type	Display Monitor Weight Limit
Powered Hummingbird LCD Cart	21 lbs. (9.53 kg)
Non-powered Hummingbird LCD Cart	9 lbs. (4.08 kg)

Section 2: Installation Preparation

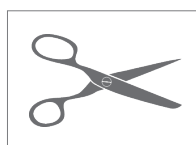
Installation Tools

Please confirm your product model before proceeding.

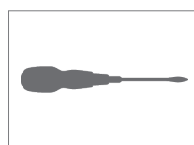
i NOTE: THE TOOLS REQUIRED FOR INSTALLATION ARE NOT PROVIDED BY AMICO ACCESSORIES INC.



Trigger Clamp
(NOT PROVIDED)



Scissors
(NOT PROVIDED)



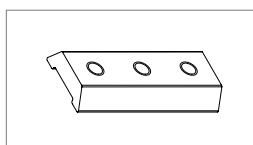
#2 Philip's Head Screwdriver
(NOT PROVIDED)



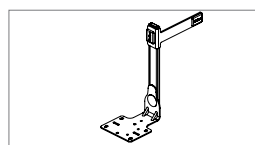
Hex Key: 5/64" and 3/16"
(NOT PROVIDED)

Typical Installation Reference

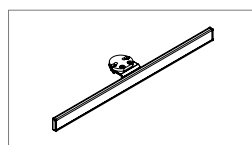
The images below illustrate the components of the product in a typical setting. The product names, along with their corresponding product numbers, are provided below.



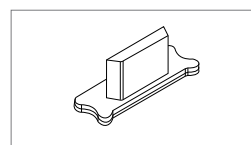
LRS Dovetail
X-LRS-DT15



Wireless Barcode Scanner Dock Holder 9" Drop and 90° Turn
HMA-BARCDHLD2-LA9
(HMA-BARCDHL2-LA9 is used as a representative example for illustration purposes only)



Perch Rail
HMA-PR-A-18



End Cap
X-LRS-CAP



Hardware Kit
Labeled individually

Section 3: Installation of Perch Rail

HMA-PR-A-18

i **NOTE:** **PERCH RAIL (X-HMA-PR-A-18)** SHOULD ONLY BE INSTALLED AFTER SECURING THE HUMMINGBIRD CART BY LOCKING THE **CASTERS**. IT IS THE RESPONSIBILITY OF THE CUSTOMERS TO VERIFY THAT THE HUMMINGBIRD CART HAS BEEN INSTALLED IN ACCORDANCE WITH AMICO INSTALLATION INSTRUCTIONS.

1. Lock the **CASTERS** by stepping on the **LOCKING LEVER** (on each caster) such that it clicks in the down position (**Figure 1**).

! **WARNING:** KEEP THE HUMMINGBIRD CART AT LOWEST POSITION AND DISCONNECTED FROM POWER OUTLET.

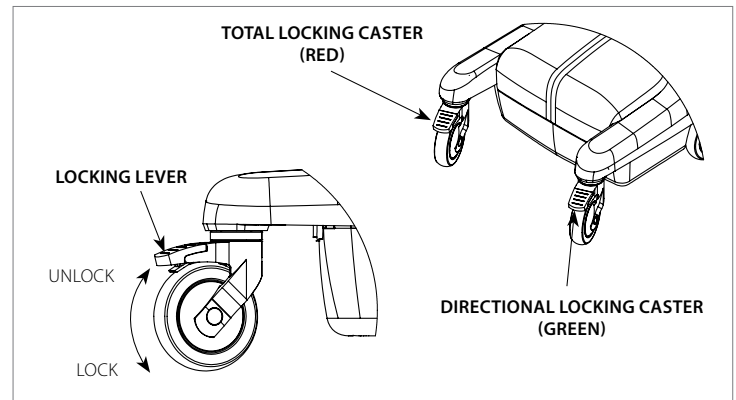


Figure 1

2. Removed the **TOP COVER (X-FIT-PST-CVR-T)** from the **HUMMINGBIRD FIT POST** and unscrew the 2x **#10 SOCKET FLAT HEAD SCREWS (H-FHCS-1024-58)** to remove the **POST CAP (X-FIT-PST-CAP)**. Discard these screws (**Figure 2**).

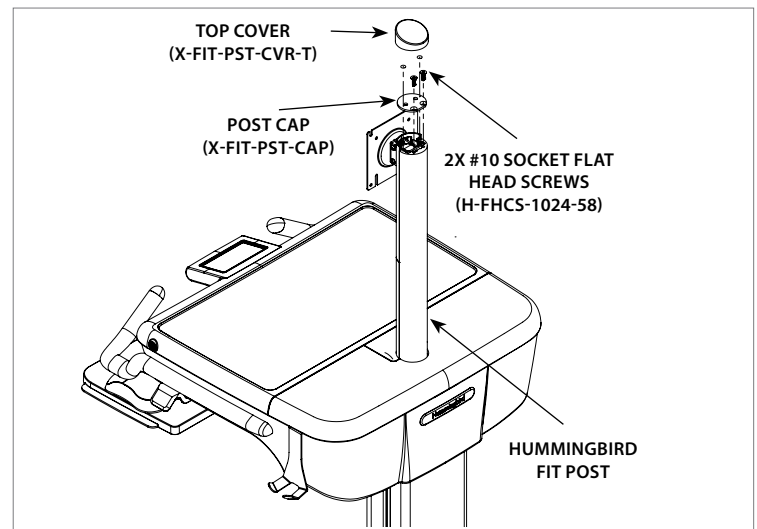


Figure 2

3. Place the **PERCH RAIL (HMA-PR-A-18)** on top of the **HUMMINGBIRD FIT POST** and secure with 2x **#8 SELF-TAPPING SCREWS (H-TRPTFS-816-12)**. Now place the **ACCESSORY MOUNT PUCK (X-HMW-FIT-ACC-MNT-PK)** on top of **PERCH RAIL (HMA-PR-A-18)** and secure with 2x **#10 SOCKET FLAT HEAD SCREWS (FHCS-1024-58)**. Put back the **TOP COVER (X-FIT-PST-CVR-T)** on the **POST (Figure 3)**.

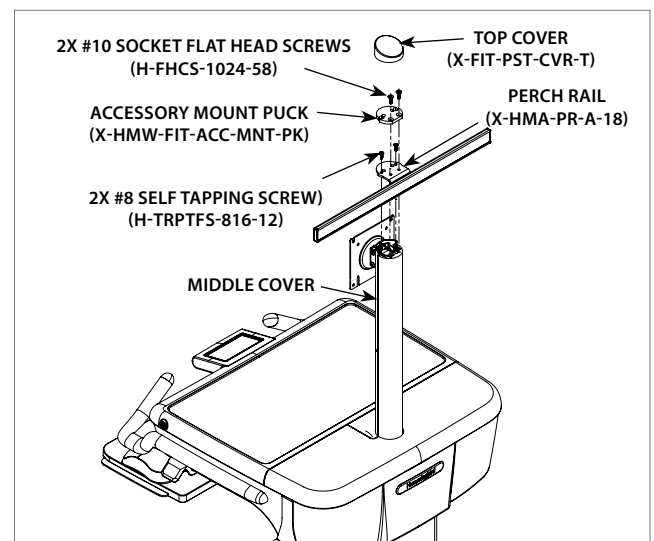


Figure 3

Section 4: Installation of Perch Accessory on Perch Rail

HMA-050504-FTA / HMA-BARCD-FTA / HMA-CAMHLD-FTA / HMA-IVHOOK2-FTA / HMA-BARCD-LSA

To install the Perch Accessory with FTA adapter, refer to the Fairfield Horizontal Rail Adapter Manual.
<https://docs.amico.com/amico-aa-fairfield-horizontal-rail-adapter-manual.pdf>

Section 5: Installation of Perch Accessory with 9" Drop Bracket

HMA-050504-LA9 / HMA-BARCD-LA9 / HMA-BARCDHLD2-LA9 / HMA-050504-FD9 / HMA-BARCD-FD9

The following instructions apply universally to all perch accessories utilizing the 9" drop brackets (HMA-_____-LA9 and HMA-_____-FD9). For illustration purposes, we will use HMA-BARCDHLD2-LA9 as a representative example. Please follow these steps accordingly when installing any accessory with the same 9" drop bracket configurations.

i **NOTE: WIRELESS BARCODE SCANNER DOCK HOLDER (HMA-BARCDHLD2-LA9)** SHOULD ONLY BE INSTALLED AFTER SECURING THE HUMMINGBIRD CART BY LOCKING THE **CASTERS**. IT IS THE RESPONSIBILITY OF THE CUSTOMERS TO VERIFY THAT HUMMINGBIRD CART HAS BEEN INSTALLED IN ACCORDANCE WITH AMICO INSTALLATION INSTRUCTIONS.

1. Lock the **CASTERS** by step on the **LOCKING LEVER** (on each **CASTER**) such that it clicks in the down position (**Figure 4**).

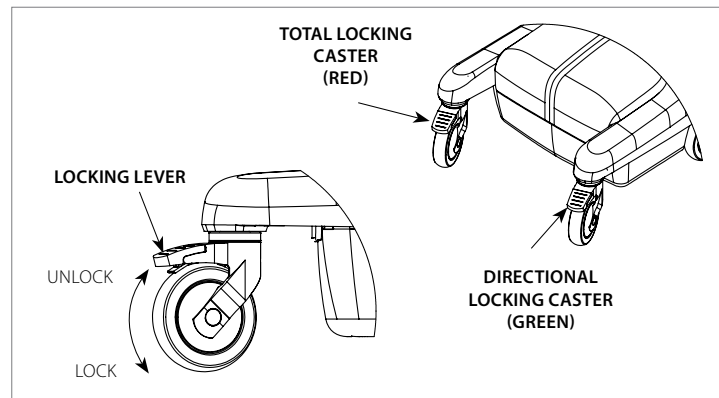


Figure 4

Section 5: Installation of Perch Accessory with 9" Drop Bracket

WARNING: KEEP THE HUMMINGBIRD CART AT LOWEST POSITION AND DISCONNECTED FROM POWER OUTLET.

2. Proceed to Step 3 (skip step 2a and 2b) for **WIRELESS BARCODE SCANNER DOCK HOLDER** on right side of the hummingbird cart. For left side follow the instructions below to configure for left-side application:

2a. Remove the **AMICO RECTANGLE LABEL** from the **WIRELESS BARCODE SCANNER DOCK HOLDER (HMA-BARCDHLD2-LA9)** (**Figure 5**) and unscrew the 2x **#8 FLAT HEAD SCREWS** to disconnect the horizontal bar (**Figure 6**).

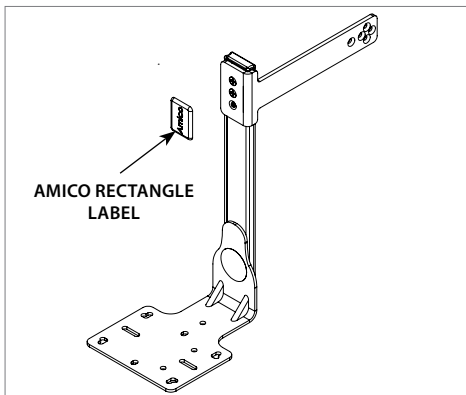


Figure 5

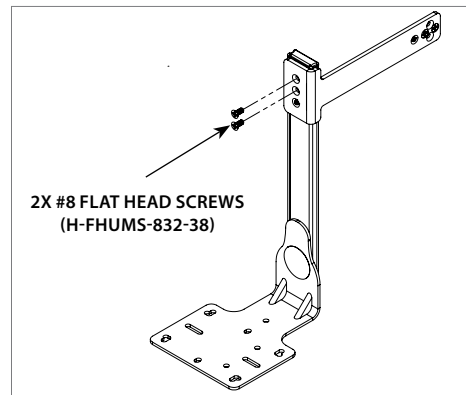


Figure 6

2b. Flip the horizontal bar as shown below and tightening the 2x **#8 FLAT HEAD SCREWS (H-FHMS-832-38-P)** from the **END CAP HARDWARE KIT (HMA-PR-ADJ-KIT)** using #3 Philip's Head screwdriver (**Figure 7**) and put the **AMICO RECTANGLE LABEL** back (**Figure 8**).

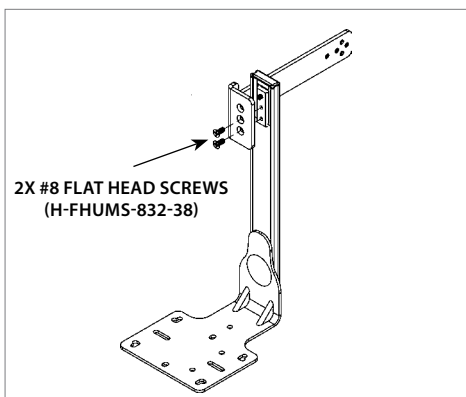


Figure 7

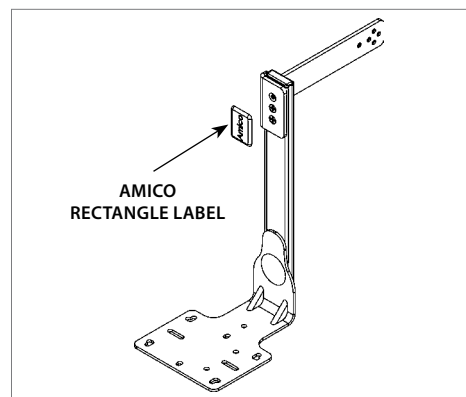


Figure 8

Section 5: Installation of Perch Accessory with 9" Drop Bracket

3. Remove the 2x **END CAPS (X-LRS-CAP)** & **LRS LAMINATION (E-FF-RAIL-LAM-W)** from the **PERCH RAIL (HMA-PR-A-18)** using a flat head screwdriver (**Figure 9**) and discard the 2x **END CAPS (X-LRS-CAP)**.

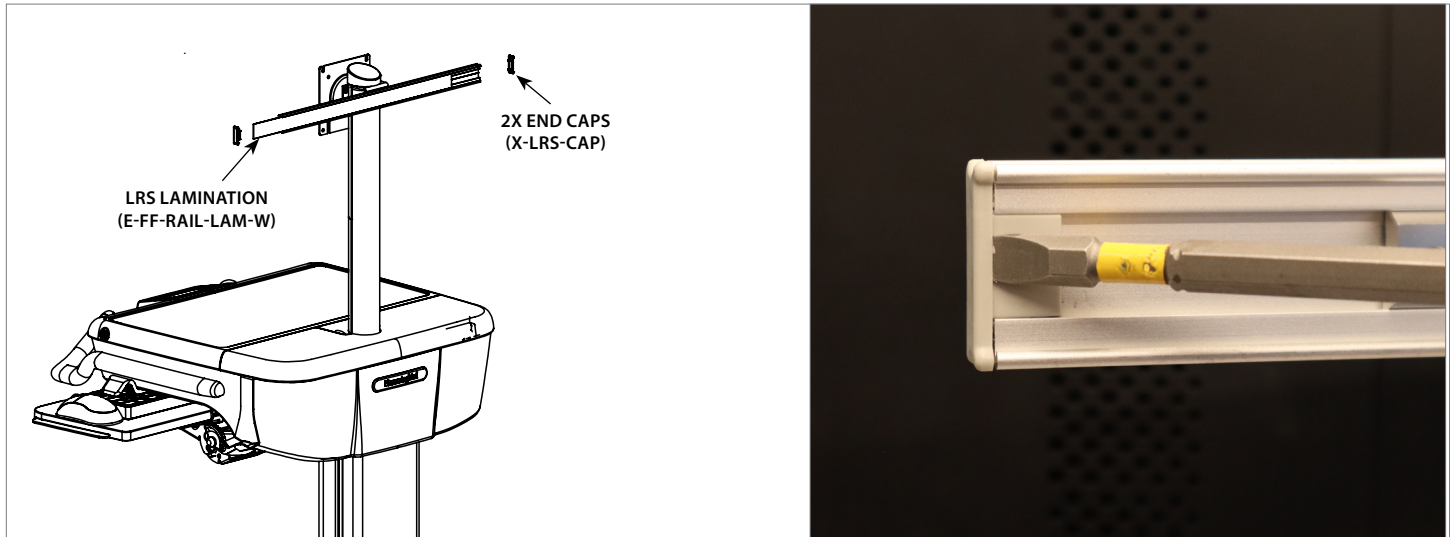


Figure 9

4. Slide the **LRS DOVETAIL (X-LRS-DT15)** with **WIRELESS BARCODE SCANNER DOCK HOLDER (HMA-BARCDHLD2-LA9)** into the **PERCH RAIL (HMA-PR-A-18)** (**Figure 10**) and set the position by tightening the set screw with a $\frac{3}{16}$ " Hex Key based on the monitor/user requirement (**Figure 11**). Total range for the **WIRELESS BARCODE SCANNER DOCK HOLDER (HMA-BARCDHLD2-LA9)** adjustment on the **PERCH RAIL (HMA-PR-A-18)** is 4.375" (11.1 cm), which starts from 0.4" (1.0 cm) away from the **PERCH RAIL'S (HMA-PR-A-18)** edge (**Figure 12**).



Figure 10

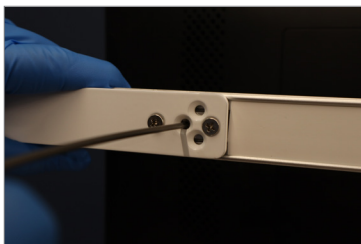


Figure 11

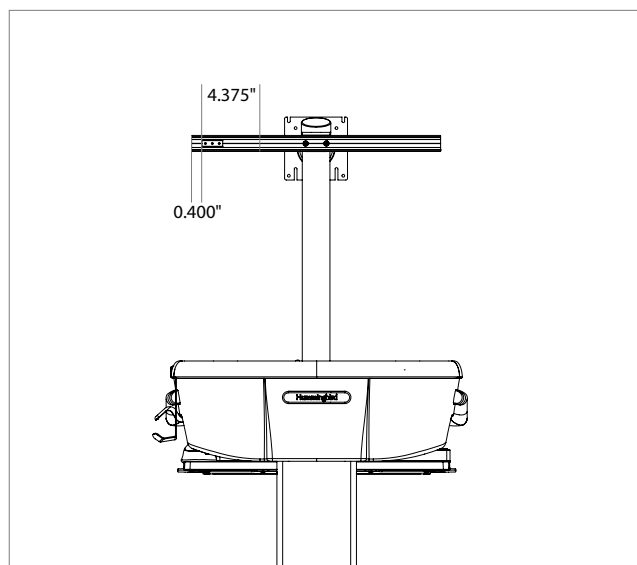


Figure 12

Section 5: Installation of Perch Accessory with 9" Drop Bracket

5. Unscrew the 2x **#8 FLAT HEAD SCREWS (H-FHUMS-832-38)** using #3 Philip's Head screwdriver (**Figure 13**).

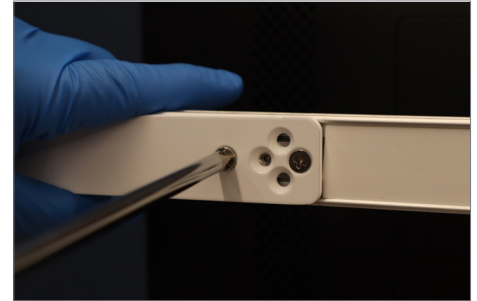


Figure 13

6. Trim the **LRS LAMINATION (E-FF-RAIL-LAM-W)** to the required length using scissors (**Figure 14**) and slide inside (**Figure 15**). Install the 2x new **END CAPS (X-LRS-CAP)** from the **END CAP HARDWARE KIT (HMA-PR-ADJ-KIT)**, one on each side, by using the trigger clamp (**Figure 16**).



Figure 14

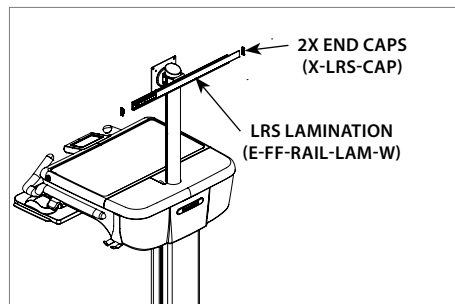


Figure 15

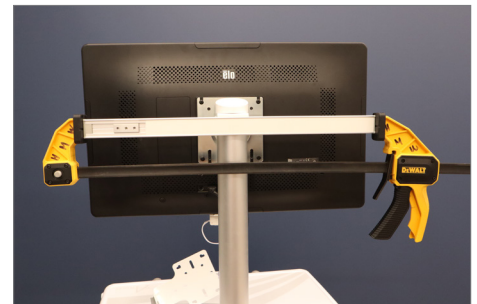


Figure 16

7. Install the **WIRELESS BARCODE SCANNER DOCK HOLDER (HMA-BARCDHLD2-LA9)** on **DOVETAIL (X-LRS-DR-15)** with 2x **#8 FLAT HEAD SCREWS (H-FHUMS-832-38-P)** from the **END CAP HARDWARE KIT (HMA-PR-ADJ-KIT)** using #3 Philip's Head screwdriver (**Figure 17**), and put the Amico rectangle label on (**Figure 18**).

i NOTE: DON'T DISCARD THE REST **END CAP HARDWARE KIT (HMA-PR-ADJ-KIT)**, WHICH CAN BE USED FOR SWITCHING THE ORIENTATION FROM ONE SIDE TO OTHER SIDE OF THE CART, AND FOR HEIGHT ADJUSTMENT OF **WIRELESS BARCODE SCANNER DOCK HOLDER (HMA-BARCDHLD2-LA9)**.

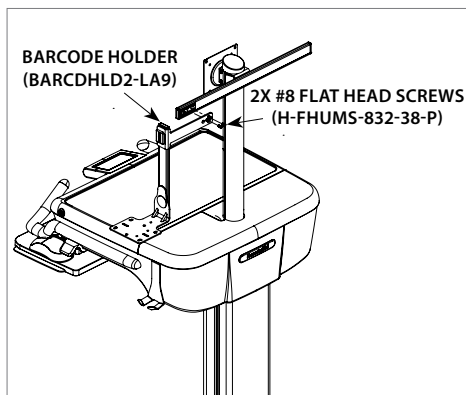


Figure 17

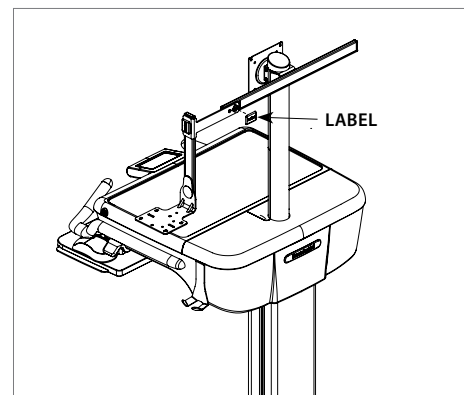


Figure 18

8. To install the secondary scanner docking plate on the **WIRELESS BARCODE SCANNER DOCK HOLDER (HMA-BARCDHLD2-LA9)**, refer to Section 3: Device Installation in the Amico Barcode Dock Mount Manual.
<https://www.amico.com/products/equipment-mounts/room-accessories-organization/barcode-dock-mount>

Section 6: Adjustment

Adjusting Perch Accessory with FTA adapter

To adjust the Perch Accessory with FTA adapter, refer to the Fairfield Horizontal Rail Adapter Manual. <https://docs.amico.com/amico-aa-fairfield-horizontal-rail-adapter-manual.pdf>.

Adjusting Perch Accessory with 9" Drop Bracket

Switching the Accessory on 9" Drop Bracket from Right to Left Side

- i** **NOTE:** USE THE SAME **END CAP HARDWARE KIT (HMA-PR-ADJ-KIT)** AND HARDWARE FOR ADJUSTMENTS, IF NOT CONTACT AMICO FOR **SERVICE KIT (HMA-PR-ADJ-KIT)**.
- i** **NOTE:** PERCH ACCESSORY SHOULD ONLY BE INSTALLED AFTER SECURING THE HUMMINGBIRD CART BY LOCKING THE **CASTERS**. IT IS THE RESPONSIBILITY OF THE CUSTOMERS TO VERIFY THAT HUMMINGBIRD CART HAS BEEN INSTALLED IN ACCORDANCE WITH AMICO INSTALLATION INSTRUCTIONS.

1. Lower the Hummingbird Cart to the lowest position and Disconnect from power outlet. Lock the **CASTERS** by stepping on the **LOCKING LEVER** (on each caster) such that they click in the down position (**Figure 19**).

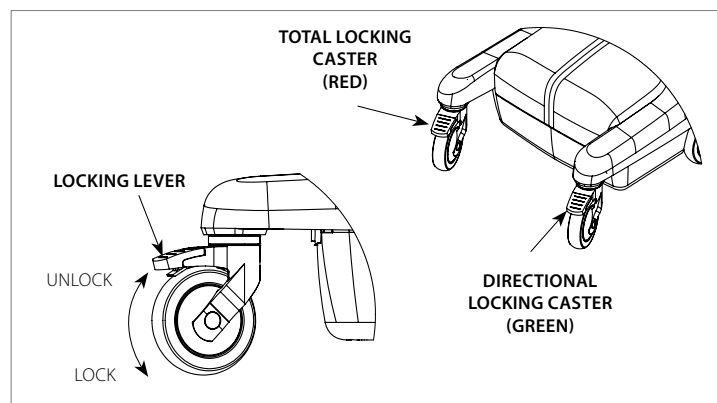


Figure 19

2. Remove the **AMICO RECTANGLE LABEL (Figure 20)** and unscrew the 2x **#8 FLAT HEAD SCREWS (H-FHUMS-832-38)** of the **WIRELESS BARCODE SCANNER DOCK HOLDER (HMABARCDHLD2-LA9)** using #3 Philip's Head screwdriver (**Figure 21**).

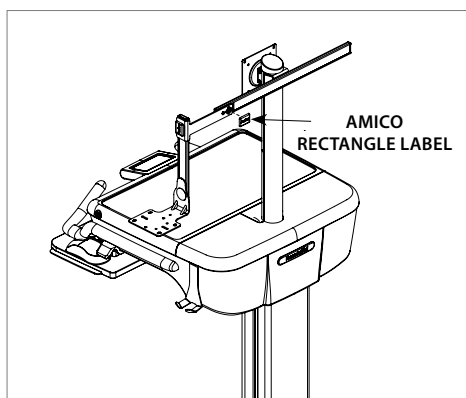


Figure 20

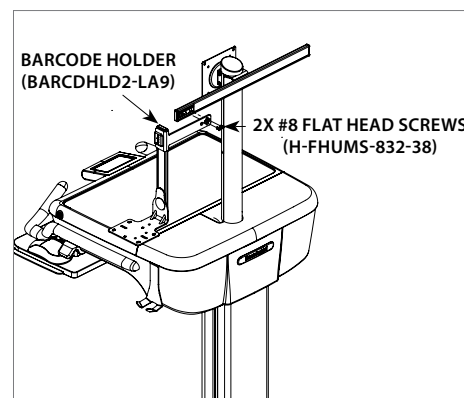


Figure 21

Section 7: Adjustment

- Remove the **END CAP (X-LRS-CAP)** from the **PERCH RAIL (HMA-PR-A-18)** using a flat head screwdriver (**Figure 22**) then slide out the **LRS LAMINATION (E-FF-RAIL-LAM-W)** (**Figure 23**).

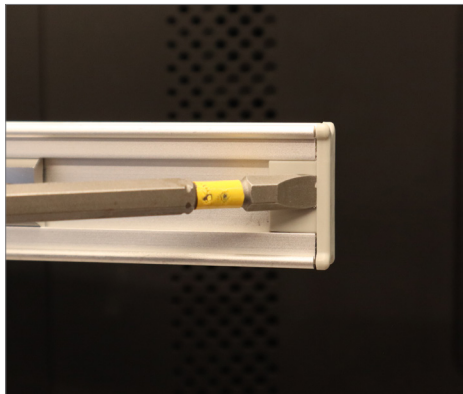


Figure 22

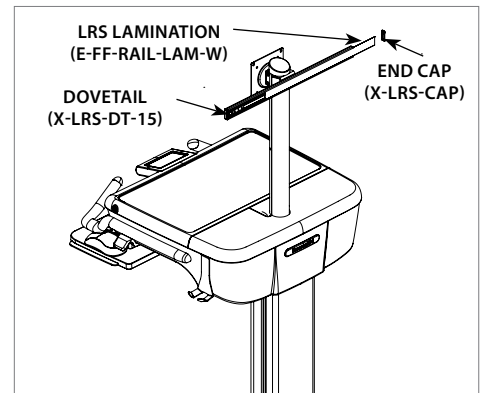


Figure 23

- Slide out the **DOVETAIL (X-LRS-DR-15)** from the **PERCH RAIL (HMA-PR-A-18)** by unscrewing the **DOVETAIL SET SCREW** with a $\frac{3}{16}$ " Allen Key.
- First slide the **LRS LAMINATION (E-FF-RAIL-LAM-W)** into the **PERCH RAIL (HMA-PR-A-18)**, followed by the **DOVETAIL (X-LRS-DR-15)**, then close the **PERCH RAIL (HMA-PR-A-18)** with a new **END CAP (X-LRS-CAP)** from the **END CAP HARDWARE KIT (HMA-PR-ADJ-KIT)** or **SERVICE KIT (HMA-PR-ADJ-KIT)** (**Figure 24**), using the trigger clamp (**Figure 25**).

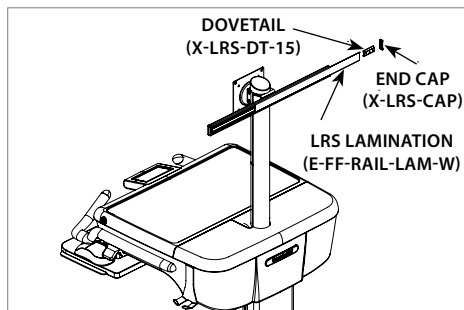


Figure 24

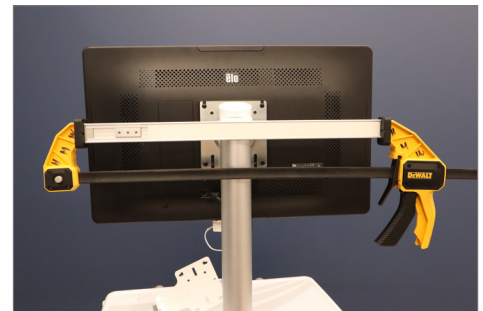


Figure 25

- Set the position by tightening the **SET SCREW** with a $\frac{3}{16}$ " Allen Key based on the monitor/user requirement. Total range for the **BARCODE HOLDER** adjustment on the **PERCH RAIL** is 4.375", which starts from 0.4" away from the **PERCH RAIL** edge.
- Install the **WIRELESS BARCODE SCANNER DOCK HOLDER (HMA-BARCDHLD2-LA9)** on **DOVETAIL (X-LRS-DR-15)** with 2x #8 **FLAT HEAD SCREWS (H-FHUMS-832-38-P)** from the **END CAP HARDWARE KIT (HMA-PR-ADJ-KIT)** using #3 Philip's Head screwdriver (**Figure 26**), then put on the **AMICO RECTANGLE LABEL** (**Figure 27**).

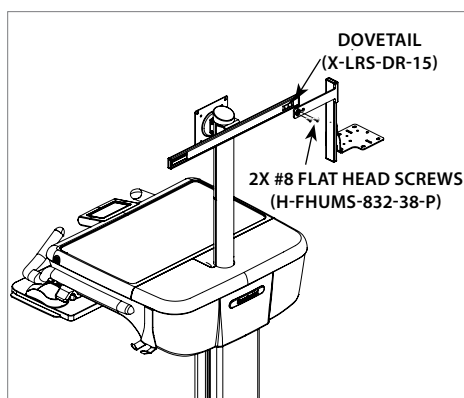


Figure 26

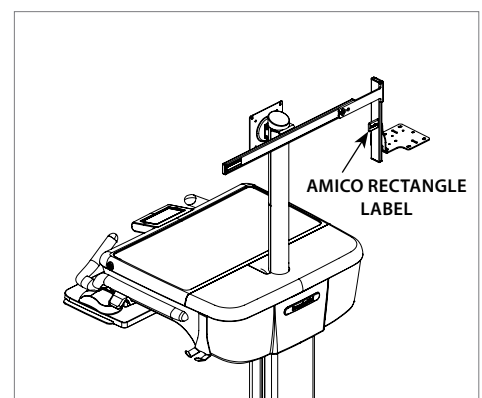


Figure 27

Section 7: Adjustment

Adjusting Position of 9" Drop Bracket On the Perch Horizontally

1. Lower the Hummingbird Cart to the lowest position and Disconnect from power outlet. Lock the **CASTERS** by stepping on the **LOCKING LEVER** (on each caster) such that they click in the down position.
2. Repeat Section 6 Adjustment Switching the Barcode Holder from Right to Left Side section Step 1 to 4.
3. Loosen the **DOVETAIL SET SCREW** with a $\frac{3}{16}$ " Allen Key, and set the position of the **DOVERAIL (X-LRS-DR-15)** by tightening the **DOVETAIL SET SCREW** with a $\frac{3}{16}$ " Allen Key based on the new monitor/user requirement.
4. Using a new **END CAP HARDWARE KIT (HMA-PR-ADJ-KIT)**, repeat Section 5 Installation of Perch Accessory with 9" Drop Bracket Step 6 to 8.

Adjusting the Height of the Accessory along the 9" Drop Bracket

Removed the **AMICO ROUND LABEL (Figure 28)** and unscrew the **2X #8 FLAT HEAD SCREW (H-FHCS-832-38)** by using #3 Philip's Head screwdriver to disconnect the **BARCODE SCANNER MOUNTING PLATE (Figure 29)**.

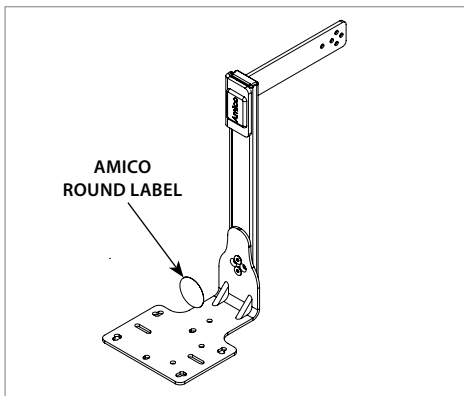


Figure 28

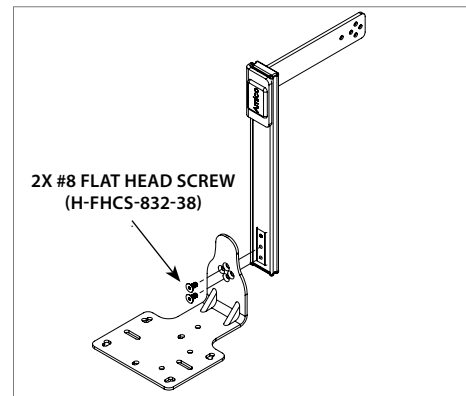


Figure 29

2. Remove the bottom **END CAP (X-LRS-CAP)** by using a flat head screwdriver to push down (**Figure 30**), then unscrew the set screws with a $\frac{3}{16}$ " Allen Key to slide out the **DOVETAIL (X-LRS-DT-15)** and **LRS LAMINATION (E-FF-RAIL-LAM-W)** (**Figure 31**).

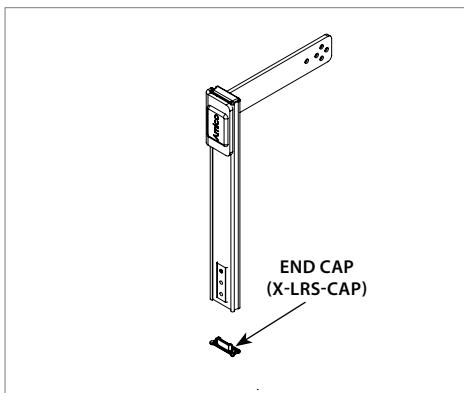


Figure 30

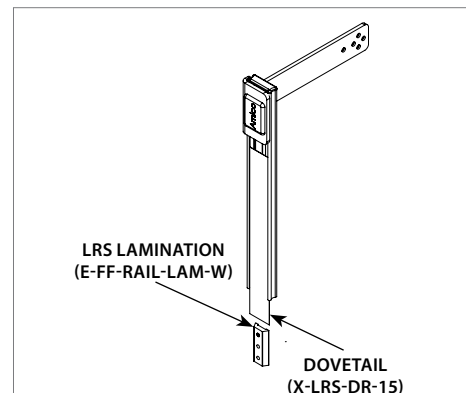


Figure 31

Section 7: Adjustment

- Trim the **LRS LAMINATION (E-FF-RAIL-LAM-W)** to the required length using scissors (**Figure 32**). First slide in the **LRS LAMINATION (E-FF-RAIL-LAM-W)**, then the **DOVETAIL (X-LRS-DT-15)**. Lock the height by tightening the set screw with a $\frac{3}{16}$ " Allen Key, then close the end with a new **END CAP (X-LRS-CAP)** by using a trigger clamp (**Figure 33**).

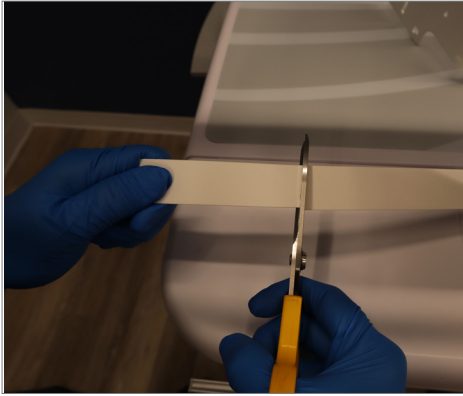


Figure 32



Figure 33

- Install the **BARCODE HOLDER MOUNTING PLATE** with 2x **#8 FLAT HEAD CREWS (H-FHCS-832-38-P)** from the **END CAP HARDWARE KIT (HMA-PR-ADJ-KIT)** by using a #3 Philip's Head screwdriver (**Figure 34**), then put the **AMICO ROUND LABEL** back (**Figure 35**).

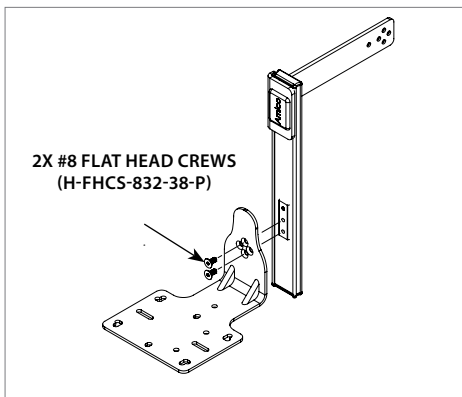


Figure 34

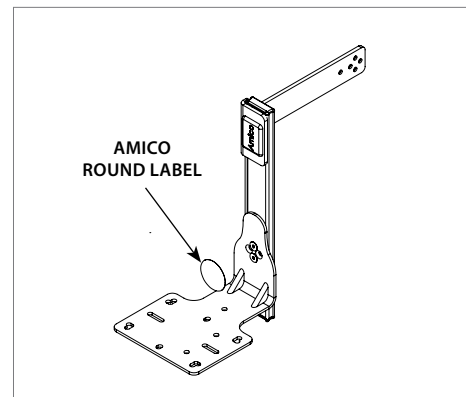



Figure 35

Section 8: Troubleshooting, Preventative Maintenance, Storage, & Cleaning

Troubleshooting

Symptom	Possible Cause	Solution
Barcode Holder slides inside the Perch Bar.	Dovetail is not secured.	Remove the label & secure the set screw to lock the position.
Top End Cap falls.	End Cap is not engaged properly.	Make sure the engaging tab of the LRS End Cap slides inside of the Perch Rail and press all the way down.


Preventative Maintenance

 **WARNING:** THE INTERVALS SHOWN AS RECOMMENDED. MAINTENANCE SCHEDULES SHOULD BE MORE FREQUENT FOR HIGHER USE AREAS.


It is recommended that once every one (1) month, all locks, bolts, and screws are visually inspected for signs of product wear and tear or damage. Check the product for looseness in the mount or orientation, and ensure the adapter is secured to the rail or wall channel system.

Cleaning

 **WARNING:** THE CLEANING CHEMICALS AND METHODS BELOW ARE NOT MEANT FOR CONTROLLING ANY INFECTIONS. IT SHALL BE THE RESPONSIBILITY OF THE HOSPITAL OR THE HOSPITAL'S INFECTION CONTROL OFFICER TO SANITIZE THE EQUIPMENT.


 **WARNING:** PLEASE DO NOT SPRAY ANY CHEMICAL DIRECTLY ONTO THE PRODUCT. APPLY ONTO A SOFT CLOTH AND WIPE CLEAN TO PREVENT CHEMICALS GETTING INTO THE PRODUCT.

The mounting assembly may be cleaned with most mild, non-abrasive solutions commonly used in the hospital environment (e.g. diluted bleach, ammonia, or alcohol solutions). The surface finish will be permanently damaged by strong chemicals and solvents such as acetone and trichloroethylene. Steel wool or other abrasive material should never be used. Damage caused by the use of unapproved substances or processes will not be warranted. It is recommended that you test any cleaning solution on a small area of the product that is not visible to verify compatibility. Never submerge the product or allow liquids to enter it. Wipe any cleaning agents off the product immediately using a water-dampened cloth. Finally, dry the product thoroughly.



No Acetone
ACETONE IS A COLORLESS,
MOBILE, FLAMMABLE LIQUID.

Acetone



No Trichloroethylene
TRICHLOROETHYLENE IS A
CHLORINATED HYDROCARBON
COMMONLY USED AS AN
INDUSTRIAL SOLVENT.

Trichloroethylene

Section 9: Amico Warranty Policy

Amico Accessories Inc. warrants all mounting accessories and electrical systems to be free from defects in material and workmanship for a period of twelve (12) months from the date of shipment. Within this period Amico Accessories Inc. will repair or replace any part which is proven to be defective.

Amico Accessories Inc. will warrant its mechanical materials to be free from defect for an additional period of four [4] years, (five [5] years from the date of shipment), and electrical materials to be free from defect for an additional period of two (2) years (three [3] years from the date of shipment), except for SLA or any Hot Swap battery which is not manufactured by Amico Accessories Inc. Within this period, Amico Accessories Inc. will replace any part at no charge, which is proven to be defective. Shipping and Installation costs after the first twelve (12) months will be borne by the customer.

This warranty is valid only when the product has been properly installed according to Amico Accessories Inc. specifications, used in a normal manner and serviced according to factory recommendations. It does not cover products that are not manufactured by Amico Accessories Inc. It does not cover failures due to damage which occurs in shipments or failures which resulted from accidents, misuse, abuse, neglect, mishandling, alteration, misapplication or damage that may be attributable to acts of God.

Amico Accessories Inc. shall not be liable for incidental or consequential damages resulting from use of equipment.

All claims for warranty must first be approved by Amico Accessories Inc. A valid Return Goods Authorization (RGA) number must be obtained from Amico Accessories Inc. prior to commencement of any service work. Warranty work, which has not been pre-authorized by Amico Accessories Inc., will not be reimbursed.

AMICO ACCESSORIES INC. DOES NOT HONOR VERBAL STATEMENTS CONCERNING THE WARRANTY.

The distributor and/or dealer are not sanctioned to create verbal warranties about the product described in this agreement. Any statements will not be honored or be made part of the agreement of sale. This document is the final complete and exclusive terms of the agreement.

THIS WARRANTY IS INCLUSIVE AND REPLACES ALL OTHER WARRANTIES.

Amico Accessories Inc. shall not, under any circumstances be liable for incidental or consequential damages including, but not limited to, profit, loss of sales or injuries to person(s) or property. Correction of noncompliance as noted above will result in completion of all liabilities of Amico Accessories Inc., whether based on agreement, neglect or changed materials, designs or specifications without notice.

All claims for warranty must first be approved by Amico Accessories Inc. Service Department: accessories@amico.com or 1.877.264.2697. A valid Return Goods Authorization number must be obtained from Amico Accessories Inc. prior to commencement of any warranty claim.

Notes

www.amico.com

Amico Accessories Inc. | 122 East Beaver Creek Road, Richmond Hill, ON L4B 1G6, Canada
Toll Free Tel: 1.877.264.2697 | Tel: 905.763.7778 | Fax: 905.763.8587
Email: info@amico-accessories.com | www.amico.com

AA-IM-HUMMINGBIRD-PERCH-RAIL-ACCESSORIES 03.06.2025