

CPU Mount

Quick Installation and Maintenance Instructions



CPUMNTA-__

Medical Facility Responsibility

Preventive maintenance checks must be performed regularly to maintain the quality and performance of this product. Any parts that may be broken, missing, worn, distorted, or contaminated in any way should not be used and all affected parts should be replaced immediately. Should the necessity of any repair be suspected; please contact your local Amico distributor.

WARNING: It is the responsibility of the end user to ensure all aspects of the installation are covered by following the full manual found at: <https://www.amico.com/sites/default/files/product/downloads/amico-aa-cpu-mounts-manual.pdf>

Installation Tool



Hex Key: 1/8"

Installation to Mounting Platform (MRS)

NOTE: The *MONITOR BRACKET STOPPER (TOP)* and the *MONITOR BRACKET STOPPER (BOTTOM)* are there to prevent the *MOUNTING ADAPTER* from sliding out of the *MSR RAIL*. The *MOUNTING ADAPTER* must be taken out of the top of the *MSR RAIL* with the *MONITOR BRACKET STOPPER (TOP)* pressed back into the *MSR RAIL*. (Figure 2)

NOTE: Figure 2 shows the *MOUNTING ADAPTER* without the *CPU MOUNT*. This is only for clarity.

1. Lift up the *CPU MOUNT* and guide the *MOUNTING ADAPTER* into the top of the *MRS RAIL* as shown in **Figure 1**.
2. Once the *CPU MOUNT* is in the desired position on the *MRS RAIL*, tighten 2x *BLACK SET SCREW CUPS* to the tightest possible position on the *MOUNTING ADAPTER* using a 1/8" Hex key.

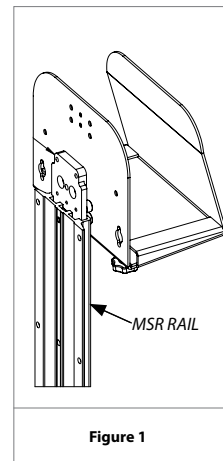
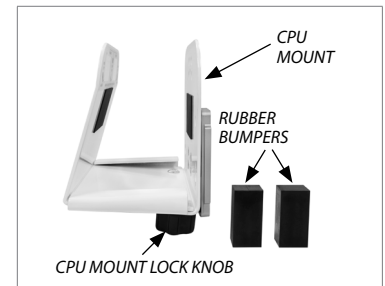


Figure 1



CPU MOUNT LOCK KNOB

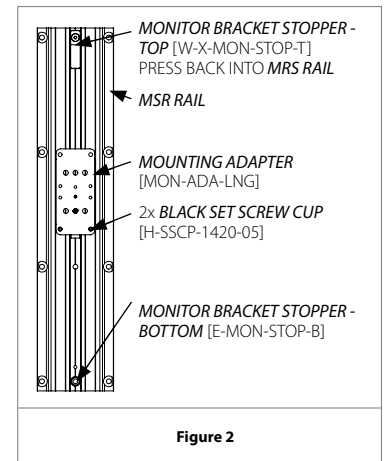


Figure 2

NOTE: Length of the *MRS RAILS* shown is for representational use only.

Installation to Device (Devices More than 3.5" Wide)

1. Rotate the 2x *CPU MOUNT LOCK KNOBS* counter-clockwise until the *CPU MOUNT FRONT PLATE* is loose enough to slide out. DO NOT unscrew all the way. (Figure 3)
2. Slide the *CPU MOUNT FRONT PLATE* to its outer most position and carefully mount the *CPU* into the allocated space. Ensure the bottom of the *CPU* sits flat on the flanges on the *CPU MOUNT BACK PLATE*. (Figure 4)
3. Slide the *CPU MOUNT FRONT PLATE* inwards until the top edge sits flat with the side surface of the *CPU*. (Figure 5)
4. While applying pressure on the *CPU MOUNT FRONT PLATE* at the face labelled "A" with one hand, in the direction of the arrow, rotate the 2x *CPU MOUNT LOCK KNOBS* clockwise to the tightest position to lock the *CPU* in place (Figure 6). This will cause the *CPU MOUNT FRONT PLATE* to tilt forward and clamp the *CPU*. DO NOT tighten the *CPU MOUNT LOCK KNOBS* individually. Instead, slightly tighten one, move on to the other, and back again to the first until both are tight. For best results, it is recommended to be installed by two people where one applies a constant pressure at face "A" while the other tightens the *CPU MOUNT LOCK KNOBS* simultaneously.

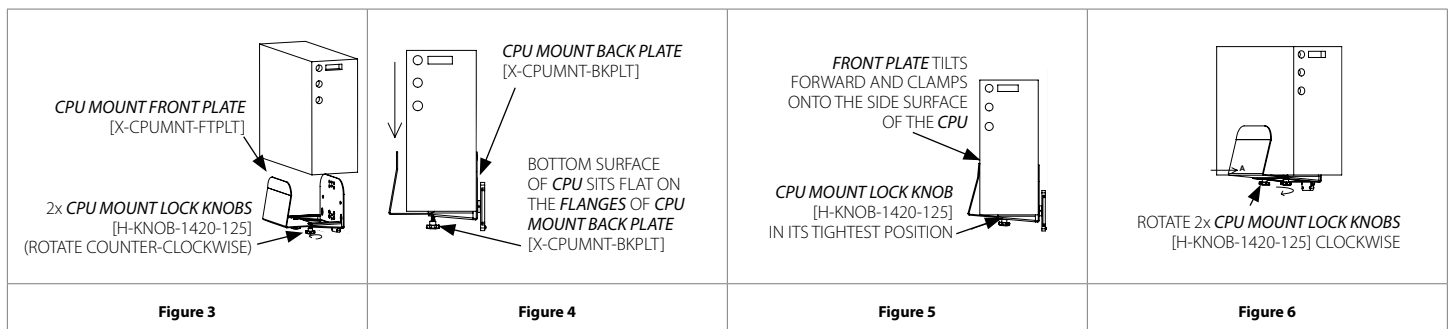


Figure 3

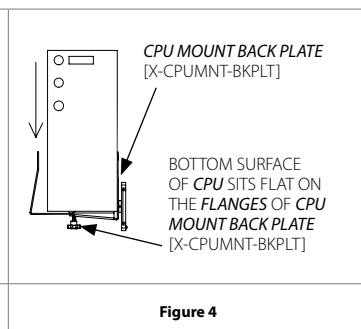


Figure 4

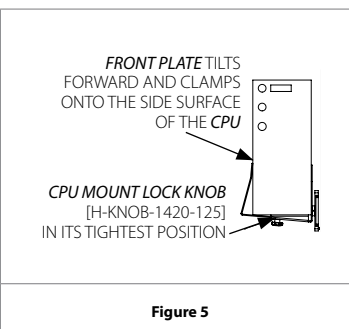


Figure 5

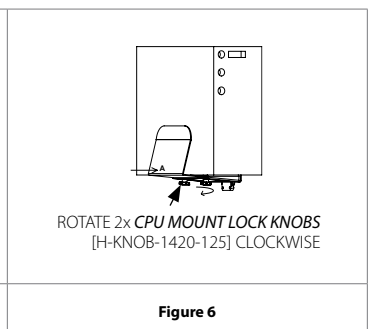


Figure 6

CPU Mount

Quick Installation and Maintenance Instructions



CPUMNTA-__

Adjustments

- In order to make adjustments to the *CPU MOUNT* or the device it is mounted on, rotate the 2x *CPU MOUNT LOCK KNOBS* counter-clockwise slightly to loosen the *CPU MOUNT FRONT PLATE*. Slide the *CPU MOUNT FRONT PLATE* in or out as desired, and tighten the *CPU MOUNT LOCK KNOBS* again.
- To adjust the position of the *CPU MOUNT*, first unload, then loosen by reversing the mounting instructions. Adjust the *CPU MOUNT* and then secure into place as per mounting instructions.
- For locking, the keyholes in the *CPU MOUNT BACK PLATE* can be used to attach a Kensington lock to the *CPU*.

Troubleshooting Guide

Symptom	Possible Cause	Solution
Scanner base appears tilted/not centered.	Loose mounting configuration or device has shifted.	Re-center mounting brackets and refer to instructions (Pre-installation and Installation to Device).
Mounting bracket is shifting.	Improper installation to mounting platform.	Ensure device is secured to rail or mounting platform. Refer to instructions (Installation to Mounting Platform).

Maintenance

It is recommended that once every three (3) months, all locks, bolts, and screws are visually inspected for signs of product wear and tear or damage. Check the product for CPU looseness in the mount or orientation, and ensure the adapter is secured to the rail or wall channel system. Ensure the (2) set screws on the channel and (2) thumb screws are fastened to the tightest possible position and ensure device is secure.

Warranty

During the term of warranty: Within the first twelve (12) months from the date of shipment, Amico Accessories will repair or replace any part which is proven to be defective at no cost. After the twelve (12) month period, Amico Accessories will send the parts to the customer free of charge, however shipping and installation will be borne by the customer.

The warranty is valid only when the product has been properly installed according to Amico Accessories specifications, used in a normal manner, and serviced according to factory recommendations. It does not cover failures due to damage which occur in shipments or failures which resulted from accidents, misuse, abuse, neglect, mishandling, alteration, misapplication or damage that may be attributable to Force Majeure.

AMICO ACCESSORIES DOES NOT HONOR VERBAL STATEMENTS CONCERNING THE WARRANTY.

The distributor and/or dealer are not sanctioned to create verbal warranties about the product described in this agreement. Any statements will not be honored or be made part of the agreement of sale. This document is the final complete and exclusive terms of the agreement.

THIS WARRANTY IS INCLUSIVE AND REPLACES ALL OTHER WARRANTIES.

Amico Accessories shall not, under any circumstances be liable for incidental or consequential damages including, but not limited to, profit, loss of sales or injuries to person(s) or property.

Correction of non-compliance as noted above will result in completion of all liabilities of Amico Accessories whether based on agreement, neglect or changed materials, designs or specifications without notice.

All claims for warranty must first be approved by Amico Accessories Customer Service Department: (info@amico-accessories.com or 1-877-264-2697). A valid Return Goods Authorization number must be obtained from Amico Accessories prior to commencement of any warranty claim.